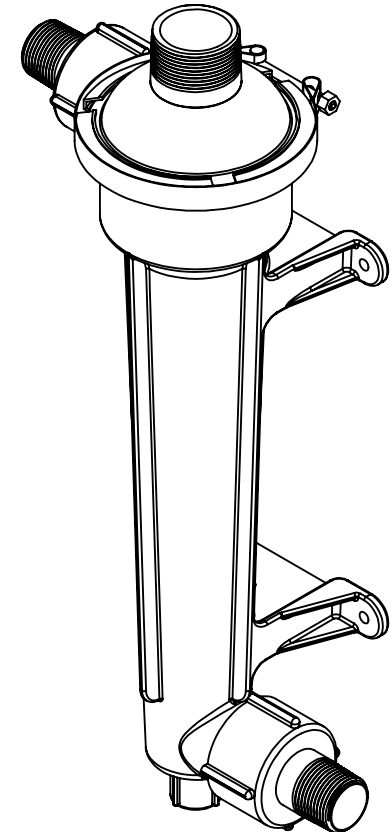


NOTES:

1. MATERIAL OF CONSTRUCTION: POLYVINYLIDENE FLOURIDE (PVDF), FLUOROCARBON (FKM) O-RINGS
2. MAXIMUM PRESSURE: 100 PSI (6.89 BAR)
3. MAXIMUM OPERATING TEMPERATURE: 150°F (65.56°C)
4. RATED FLOW: 5-15 GPM (1.14-3.41 M<sup>3</sup>/HR) WITH APPROPRIATE NOZZLE
5. EMPTY WEIGHT (DRY): APPROXIMATELY 4.5 LBS. (2 KG)
6. WATER VOLUME: .36 GALLONS (1.36 LITERS)
7. INLET/OUTLET CONNECTION:  
1" NOMINAL DIA., ANSI B1.20.1, MALE NATIONAL PIPE THREAD (MNPT)
8. VENT CONNECTION:  
 1.5" NOMINAL DIA., ANSI B1.20.1, MALE NATIONAL PIPE THREAD (MNPT)
9. HYDROTESTING MAY BE PERFORMED IN ACCORDANCE WITH MAZZEI SOP NO. 6090


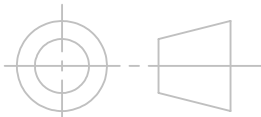
REVISIONS			
REV.	DESCRIPTION	DATE	APPROVED
NC	RELEASED FOR SUBMITTAL.	3/24/2015	J. BENNETT
A	ADDED THIRD PAGE -UPDATED DIMENSION FORMAT	3/7/2016	J. BENNETT
B	CORRECTIONS TO VENT SIZING, AND SHEET 3.	4/27/2016	J. BENNETT
C	UPDATED NOTES PER JB - REMOVED 1.5" INLET/OUTLET OPTION PER NOTE 7	10/6/2021	J. BENNETT

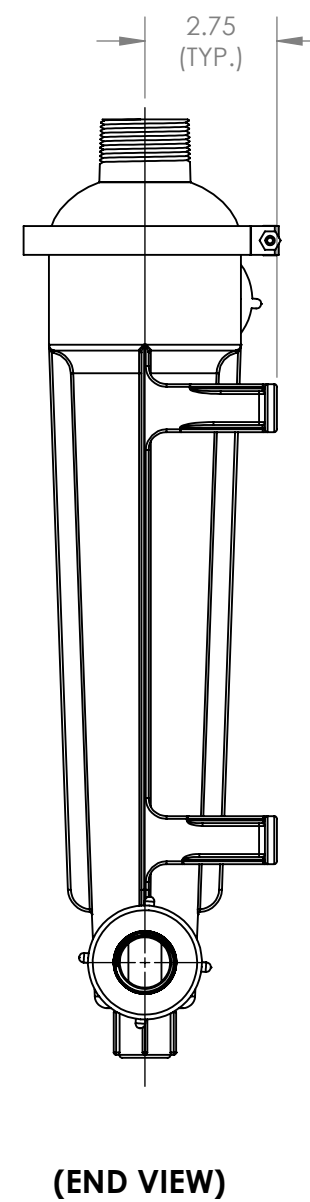
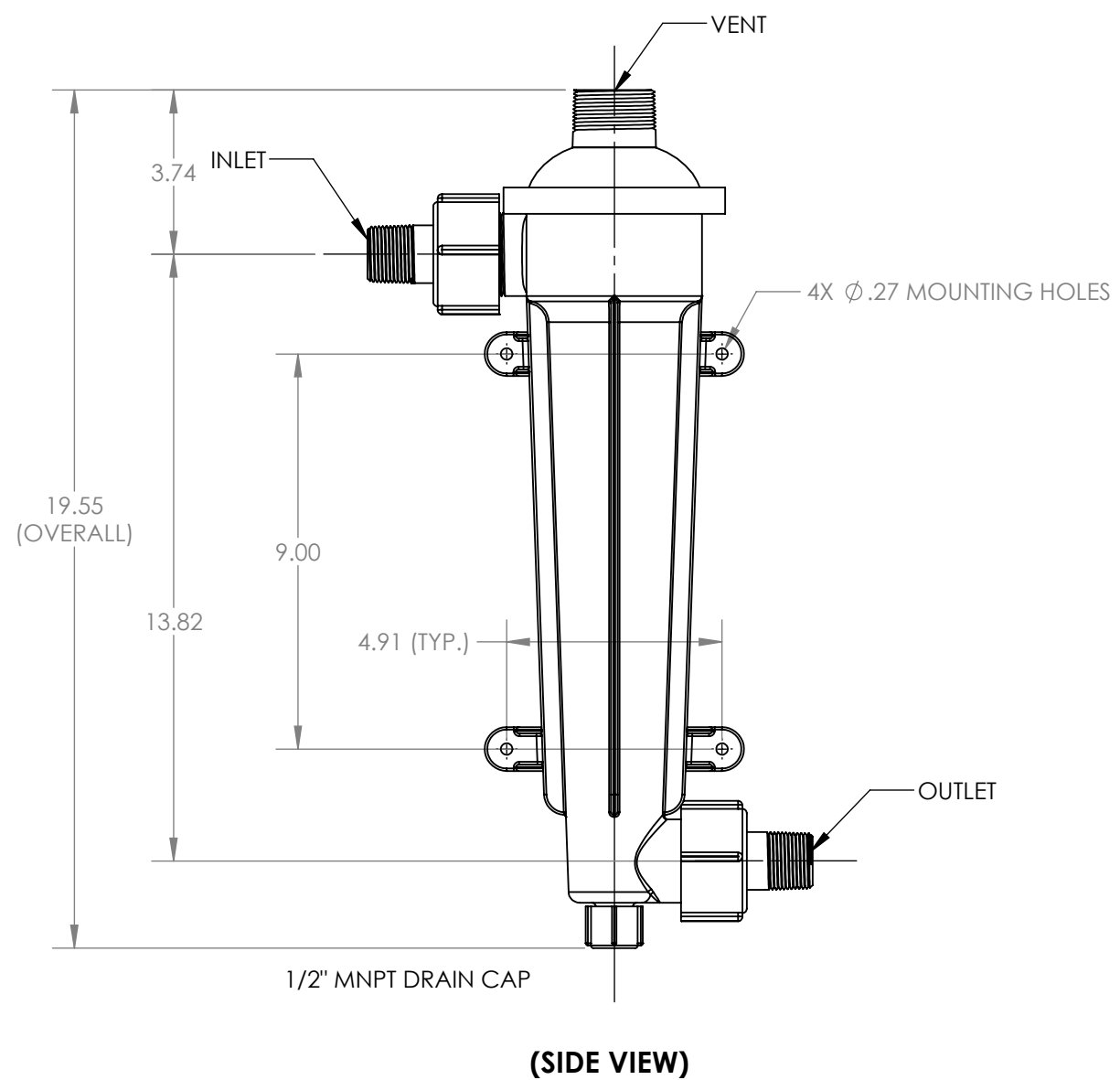
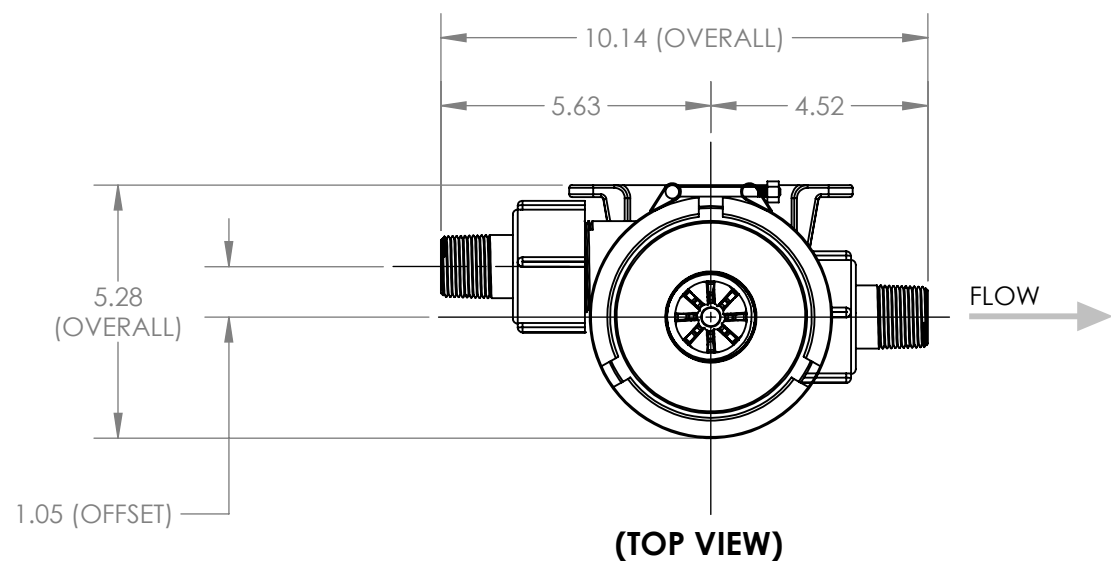
APPROVED  
RELEASED FOR SUBMITTAL




(ISOMETRIC VIEW)  
(FOR REFERENCE ONLY)

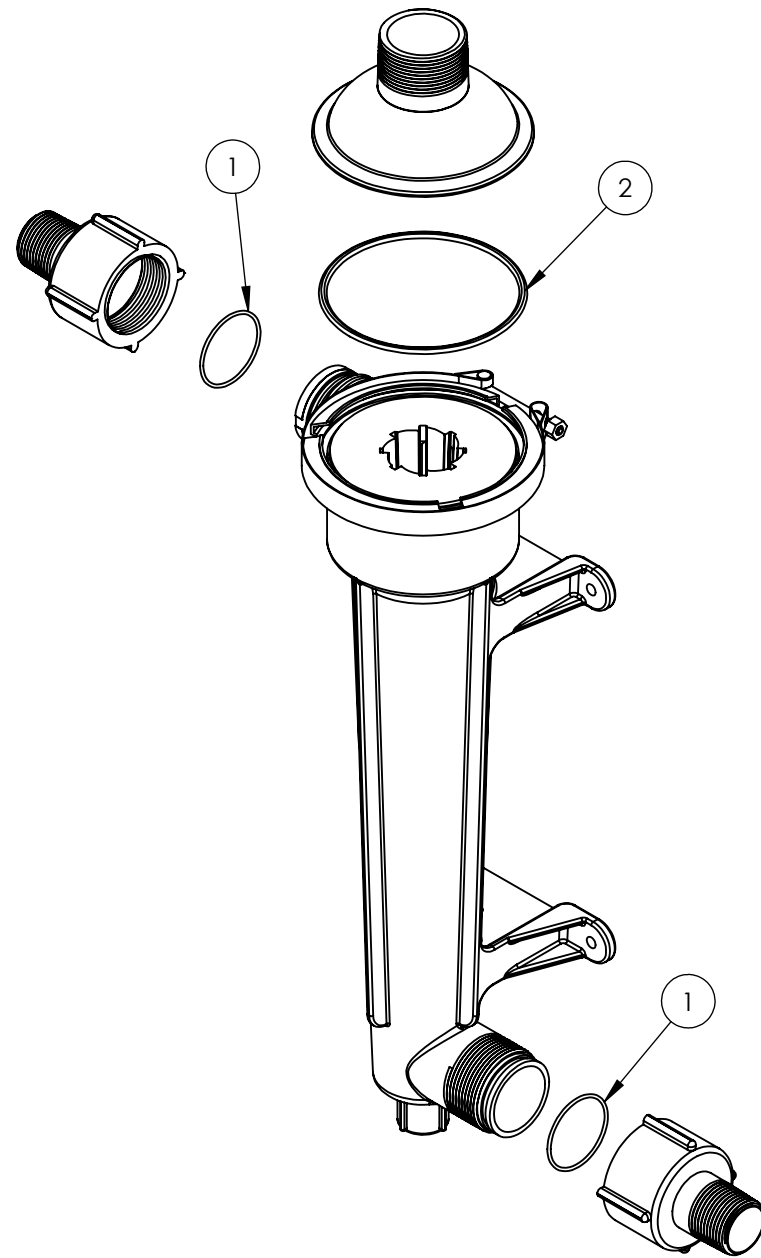
**SUBMITTAL DRAWING**

SUBMITTAL NOTICE	CONFIDENTIALITY NOTICE	UNLESS OTHERWISE SPECIFIED DIM ARE IN INCHES TOL ON ANGLE ± .50° 2 PL ± .06 3 PL ± .030 INTERPRET DIM AND TOL PER ASME Y14.5M-1994	APPROVALS	DATE		MAZZEI INJECTOR CO., LLC 500 ROOSTER DRIVE BAKERSFIELD, CA 93307 PHONE: (661) 363-6500 FAX: (661)363-7500 WWW.MAZZEI.NET
ANY RECOMMENDATIONS FOR PRODUCT AND/OR SYSTEM DESIGN, WHETHER CONTAINED IN A DOCUMENT, WITHIN THIS DRAWING, COMMUNICATED BY ELECTRONIC MEANS OR GIVEN VERBALLY, ARE INTENDED SOLELY AS GUIDELINES TO ACTUAL SYSTEM DESIGN. SAID RECOMMENDATIONS ARE BASED UPON INFORMATION SUPPLIED BY OTHERS, THE ACCURACY OF WHICH IS BEYOND VERIFICATION BY MAZZEI INJECTOR CO. LLC. THEREFORE MAZZEI CANNOT AND DOES NOT WARRANT THE SUITABILITY OF ITS PRODUCTS FOR A PARTICULAR SERVICE NOR THE PERFORMANCE OF ANY SYSTEM CONTAINING COMPONENTS MADE OR SOLD BY MAZZEI.	THE INFORMATION CONTAINED IN THIS DRAWING IS THE SOLE PROPERTY OF MAZZEI INJECTOR COMPANY LLC. ANY REPRODUCTION IN PART OR AS A WHOLE WITHOUT THE WRITTEN PERMISSION OF MAZZEI IS STRICTLY PROHIBITED.	<b>THIRD ANGLE PROJECTION</b> 	DRAWN: T. JOHNS	3/19/2015	DESCRIPTION: <b>DEGAS SEPERATOR; DS150-PVDF</b>	
			CHECKED: J. PEREZ	3/19/2015		
			APPROVED: J. BENNETT	3/24/2015	SIZE: <b>B</b>	JOB NO.: N/A
			QA: -		DRAWING NUMBER: DS-150-PVDF-SUB	REV: C
			CUSTOMER APPROVAL: -		SCALE: NONE	WEIGHT: 4.5 LBS
			CUSTOMER: N/A			SHEET: 1 OF 3



**APPROVED**  
RELEASED FOR SUBMITTAL

		<b>MAZZEI INJECTOR CO., LLC</b>	
		500 ROOSTER DRIVE BAKERSFIELD, CA 93307	
		PHONE: (661) 363-6500 FAX: (661)363-7500	
		WWW.MAZZEI.NET	
DESCRIPTION: DEGAS SEPERATOR; DS150-PVDF			
SIZE:	JOB NO.:	DRAWING NUMBER:	REV:
<b>B</b>	N/A	DS-150-PVDF-SUB	<b>C</b>
SCALE:	WEIGHT:	SHEET:	
1:4	4.5 LBS	2 OF 3	



(ISOMETRIC VIEW)  
(FOR REFERENCE ONLY)

**APPROVED**  
RELEASED FOR SUBMITTAL

ITEM NO.	TITLE	DESCRIPTION	QTY.
1	O-RING	O-RING; F7001-200-124	2
2	O-RING	O-RING; F7001-200-242	1

	<p><b>MAZZEI INJECTOR CO., LLC</b>          500 ROOSTER DRIVE BAKERSFIELD, CA 93307          PHONE: (661) 363-6500 FAX: (661)363-7500          WWW.MAZZEI.NET</p>
---	---

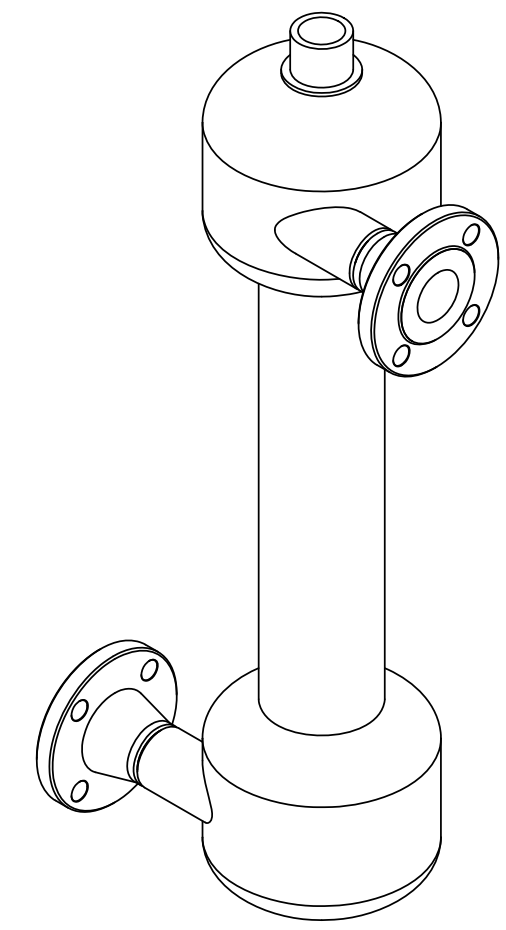
DESCRIPTION:  
DEGAS SEPARATOR; DS-150-PVDF

SIZE: <b>B</b>	JOB NO.: N/A	DRAWING NUMBER: DS-150-PVDF-SUB	REV: <b>C</b>
SCALE: 1:4	WEIGHT: 4.5 LBS	SHEET: 3 OF 3	

NOTES:


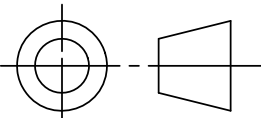
1. MATERIAL OF CONSTRUCTION: TYPE 316L, STAINLESS STEEL
2. MTR/HEAT NUMBERS ARE PROVIDED FOR ALL MATERIALS AND SHALL MEET APPLICABLE MATERIAL SPECIFICATIONS.
3. FLANGE BOLT HOLES TO STRADDLE COMMON CENTERLINES, UNLESS OTHERWISE NOTED.
4. MAXIMUM PRESSURE: 150 PSI (10.3 BAR)
5. MAXIMUM OPERATING TEMPERATURE: 180°F (82.2°C)
6. PRESSURE LOSS: 1 - 4 PSID (.07 - .28 BAR) AT RATED FLOW
7. RATED FLOW: 35 - 70 GPM (8 - 16 M³/HR)
8. EMPTY WEIGHT (DRY): APPROXIMATELY 43 LBS. (21 KG)
9. WATER VOLUME: 1.9 GALLONS (7.2 LITERS)
10. INLET/OUTLET CONNECTION:  
1.50" DIA., ANSI B16.5, CLASS 150, SCHED. 40, RAISED FACE WELD NECK FLANGE
11. VENT CONNECTION:  
1.00" DIA., ANSI B1.20.1, FEMALE NATIONAL PIPE THREAD (FNPT)
12. FINISH: GLASS BLAST EXTERIOR ONLY
13. WELDING JOINTS TO BE COMPLETE PENETRATION, WHERE POSSIBLE.
14. DYE PENETRATE TESTING IN ACCORDANCE WITH B31.3 NORMAL SERVICE RECOMMENDATIONS WILL BE PERFORMED ON A MINIMUM OF 20% OF LINEAR LENGTH OF WELDS; OR HYDROSTATIC TESTING WILL BE PERFORMED AS PART OF MAZZEI'S NON-DESTRUCTIVE TESTING PROCEDURE.
15. CLEANED FOR PASSIVATION PER ASTM A380 GUIDELINES.
16. PASSIVATED PER ASTM A967 SPECIFICATION.
17. WELD MAP, NON DESTRUCTIVE TESTING (NDT), CLEANING AND INSPECTION REPORTS TO BE PROVIDED BY MAZZEI.
18. MAZZEI RECOMMENDS INSTALLING THE DEGAS SEPARATOR PER THE O&M MANUAL GUIDELINES.

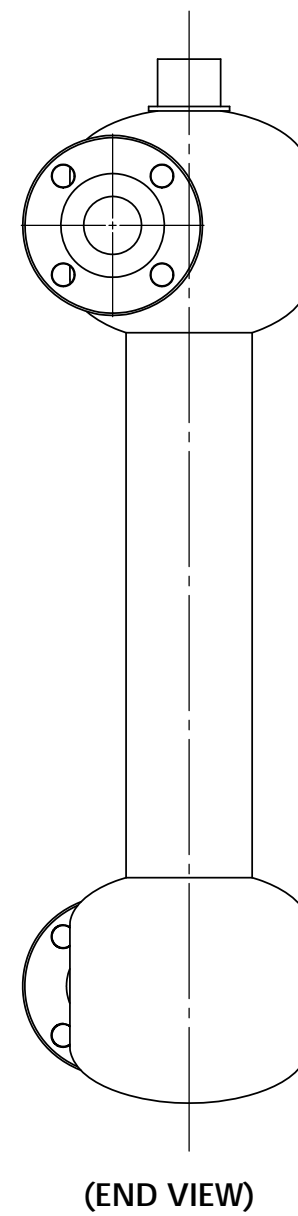
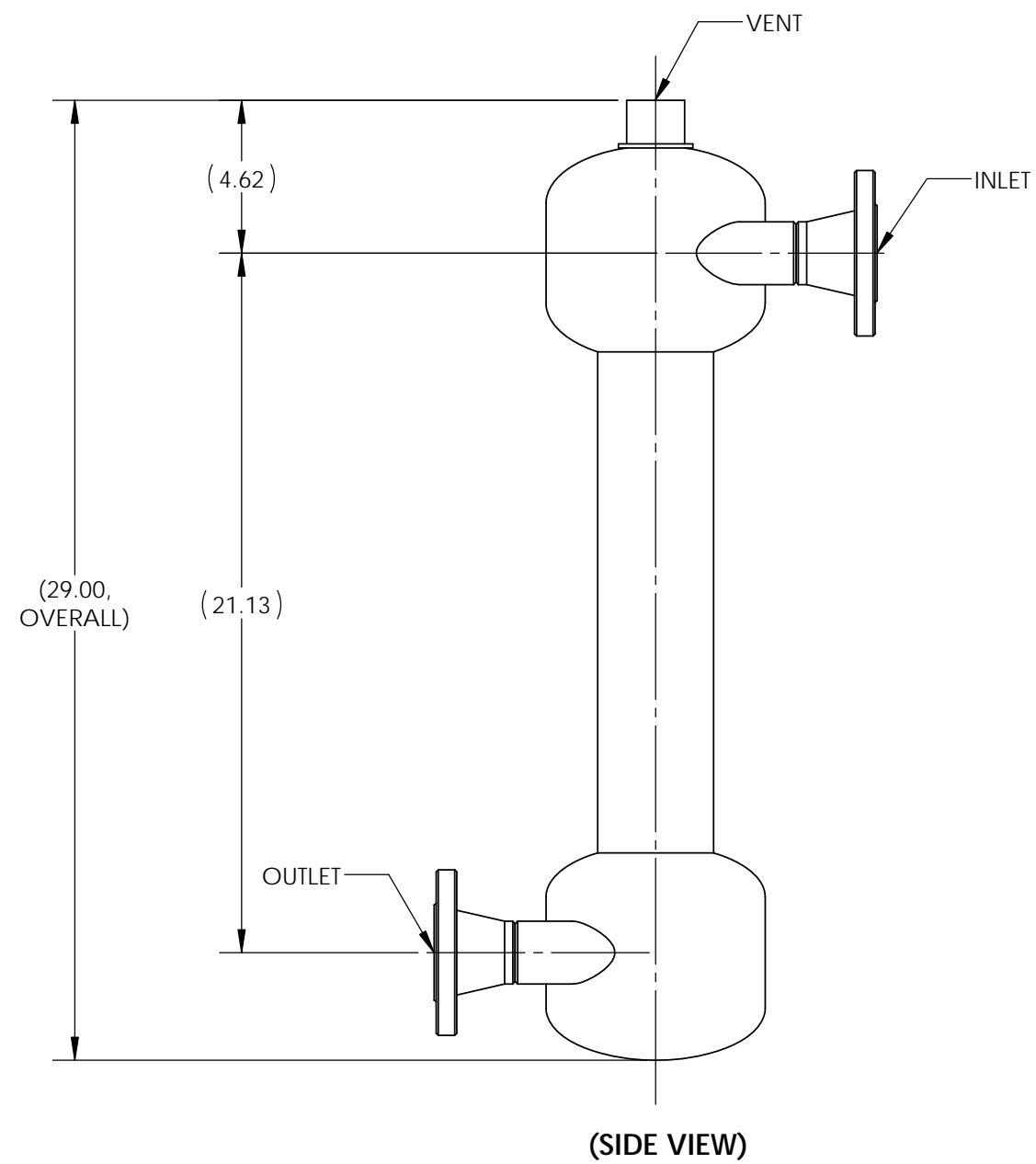
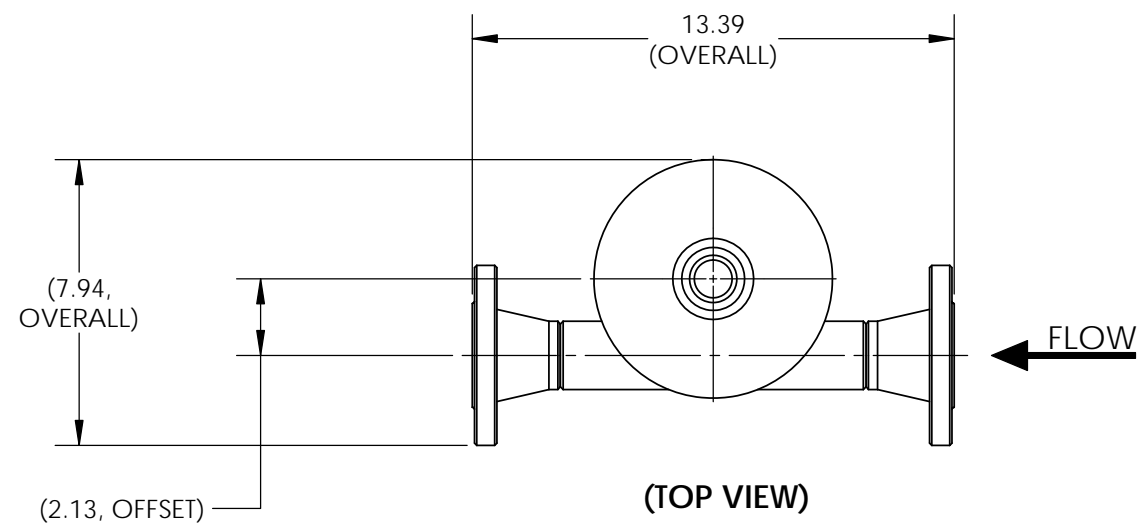
REVISIONS			
REV.	DESCRIPTION	DATE	APPROVED
NC	RELEASED FOR SUBMITTAL.	8/16/2013	P. BANKOWSKI
A	CHANGED MAX PRESSURE NOTE.	8/16/2013	P. BANKOWSKI




(ISOMETRIC VIEW)  
(FOR REFERENCE ONLY)

**SUBMITTAL DRAWING**

<b>SUBMITTAL NOTICE</b>		<b>CONFIDENTIALITY NOTICE</b>		UNLESS OTHERWISE SPECIFIED DIM ARE IN INCHES TOL ON ANGLE ± .1/2° 1 PL ± .125 2 PL ± .060 3 PL ± .030 INTERPRET DIM AND TOL PER ASME Y14.5M-1994		APPROVALS		DATE		 <b>MAZZEI INJECTOR CO., LLC</b> 500 ROOSTER DRIVE BAKERSFIELD, CA 93307 PHONE: (661) 363-6500 FAX: (661)363-7500 WWW.MAZZEI.NET			
ANY RECOMMENDATIONS FOR PRODUCT AND/OR SYSTEM DESIGN, WHETHER CONTAINED IN A DOCUMENT, WITHIN THIS DRAWING, COMMUNICATED BY ELECTRONIC MEANS OR GIVEN VERBALLY, ARE INTENDED SOLELY AS GUIDELINES TO ACTUAL SYSTEM DESIGN. SAID RECOMMENDATIONS ARE BASED UPON INFORMATION SUPPLIED BY OTHERS, THE ACCURACY OF WHICH IS BEYOND VERIFICATION BY MAZZEI INJECTOR CO. LLC. THEREFOR MAZZEI CANNOT AND DOES NOT WARRANT THE SUITABILITY OF ITS PRODUCTS FOR A PARTICULAR SERVICE NOR THE PERFORMANCE OF ANY SYSTEM CONTAINING COMPONENTS MADE OR SOLD BY MAZZEI.		THE INFORMATION CONTAINED IN THIS DRAWING IS THE SOLE PROPERTY OF MAZZEI INJECTOR COMPANY LLC. ANY REPRODUCTION IN PART OR AS A WHOLE WITHOUT THE WRITTEN PERMISSION OF MAZZEI IS STRICTLY PROHIBITED.		<b>THIRD ANGLE PROJECTION</b> 		DRAWN: T. JOHNS		8/21/2013				<b>TITLE:</b> DEGAS SEPARATOR; DSF01510AAF000	
						CHECKED: J. MILLAN		8/16/2013					
APPROVED: P. BANKOWSKI		8/16/2013		QA: -		CUSTOMER APPROVAL: -		SIZE: <b>B</b>		JOB NO.: <b>NA</b>			
DRAWING MAY NOT BE PRINTED FULL SIZE DO NOT SCALE						CUSTOMER:		NA		DRAWING NUMBER: <b>DSF01510AAF000-SUB</b>		REV: <b>A</b>	
						SCALE: <b>NONE</b>		WEIGHT: <b>43 LBS</b>		SHEET: <b>1 OF 2</b>			



		<b>MAZZEI INJECTOR CO., LLC</b> 500 ROOSTER DRIVE BAKERSFIELD, CA 93307 PHONE: (661) 363-6500 FAX: (661)363-7500 WWW.MAZZEI.NET	
		TITLE: <b>DEGAS SEPARATOR; DSF01510AAF000</b>	
SIZE:	JOB NO.:	DRAWING NUMBER:	REV.:
<b>B</b>	<b>NA</b>	<b>DSF01510AAF000-SUB</b>	<b>A</b>
SCALE:	WEIGHT:	SHEET:	
<b>3:16</b>	<b>43 LBS</b>	<b>2 OF 2</b>	