

CONSTRUCTION

Available Material	Polypropylene (PP) - <i>BLACK</i>	Polyvinylidene Fluoride (PVDF) - <i>NATURAL</i>
Unit Weight (with box)	0.07 lbs	0.10 lbs
Inlet & Outlet Connections	0.5" male NPT	
Suction Port Cap Connection - Default (Inner Diameter)	0.25" tubing barb	
Suction Port Cap Connection - Alternate	N/A	
Maximum Operating Temperature	212°F	
Maximum Operating Pressure (at 68° F)	120 PSI	

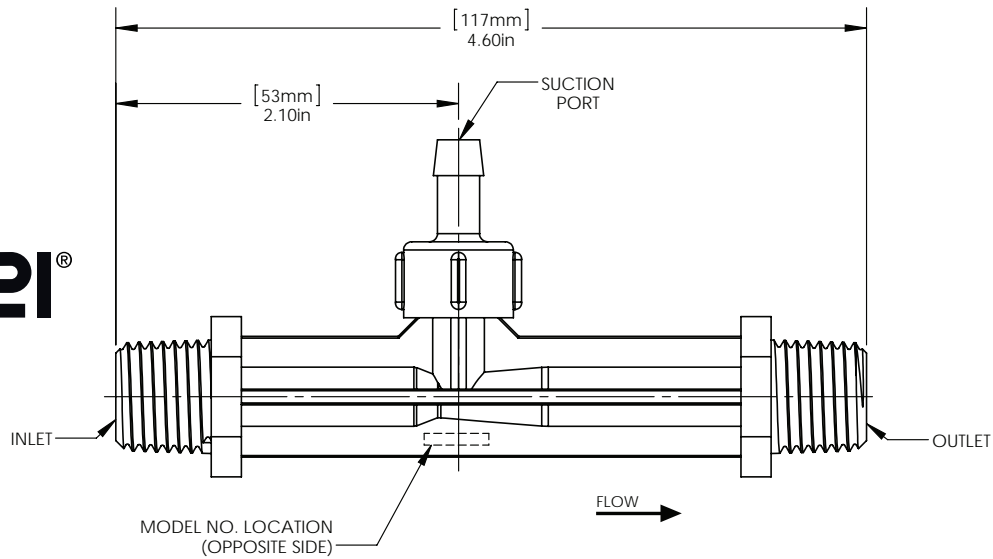
ACCESSORIES

PART NUMBER	DESCRIPTION
K-184	Suction line kit
K-F-30L	K-184 suction line kit with F-30 L liquid flowmeter
K287-S	K-184 suction line kit, F-30 L liquid flowmeter, and 0287 PP injector
K-184-A	Bypass kit (includes suction line kit K-184)
K287-B	K-184-A bypass kit, F-30 L liquid flowmeter, and 0287 PP injector
MV-25	0.25" PP metering valve with valve position indicator ring
MV-25A	0.25" PP metering valve
S-25HB	Strainer with 0.25" barbed connection

REPLACEMENT PARTS

INJECTOR MODEL	SUCTION PORT CAP	CHECK VALVE REPAIR KIT
0287 PP <i>BLACK</i>	CAP.25 PP	CR-1
0287 N-PVDF <i>NATURAL</i>	CAP.25 N-PVDF	CR-1





CONSTRUCTION

Available Material	Polyvinylidene Fluoride (PVDF) - <i>BLUE</i>
Unit Weight (with box)	0.05 kg
Inlet & Outlet Connections	15 mm male BSPT
Suction Port Cap Connection - Default (Inner Diameter)	0.25" tubing barb
Suction Port Cap Connection - Alternate	N/A
Maximum Operating Temperature	100° C
Maximum Operating Pressure (at 20° C)	8.44 bar

ACCESSORIES

PART NUMBER	DESCRIPTION
K-184	Suction line kit
K-F-30L	K-184 suction line kit with F-30 L liquid flowmeter
K-184-A	Bypass kit (includes suction line kit K-184)
MV-25	0.25" PP metering valve with valve position indicator ring
MV-25A	0.25" PP metering valve
S-25HB	Strainer with 0.25" barbed connection

REPLACEMENT PARTS

INJECTOR MODEL	SUCTION PORT CAP	CHECK VALVE REPAIR KIT
ISO 0287 PVDF <i>BLUE</i>	N/A	CR-1

