

### CONSTRUCTION

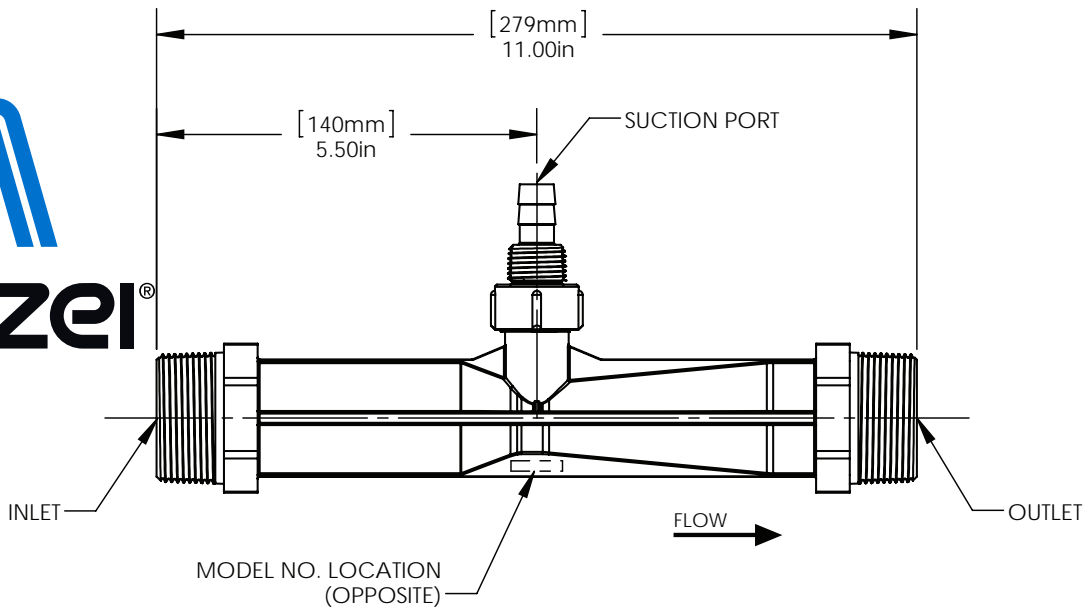
<b>Available Material</b>	Polypropylene (PP) - BLACK	Polyvinylidene Fluoride (PVDF) - BLACK
<b>Unit Weight (with box)</b>	0.60 lbs	0.89 lbs
<b>Inlet &amp; Outlet Connections</b>	1.5" male NPT	
<b>Suction Port Cap Connection - Default (Inner Diameter)</b>	0.5" tubing barbs	
<b>Suction Port Cap Connection - Alternate</b>	0.5" male NPT	
<b>Maximum Operating Temperature</b>	212° F	
<b>Maximum Operating Pressure (at 68° F)</b>	120 psi	

### ACCESSORIES

PART NUMBER	DESCRIPTION
<b>K-183</b>	Suction line kit
<b>KR-183</b>	Economy suction line kit
<b>K183-A</b>	Bypass kit (includes suction line kit K-183)
<b>MV5-PP</b>	PP metering valve with custom "V Port" seat control (0.5" male NPT connections)
<b>MV5-N-PVDF</b>	Natural PVDF metering valve with custom "V Port" seat control (0.5" male NPT connections)
<b>S-50HB</b>	Strainer (0.5" barbed connection)
<b>S-84</b>	Strainer without tubing adapter (0.5" female NPT connection)

### REPLACEMENT PARTS

INJECTOR MODEL	SUCTION PORT CAP	CHECK VALVE REPAIR KIT
<b>1587 PP</b> BLACK	CAP.75 PP	CR-4
<b>1587 PVDF</b> BLACK	CAP.75 PVDF	CR-4



### CONSTRUCTION

<b>Available Material</b>	Polypropylene (PP) - <i>GREEN</i>	Polyvinylidene Fluoride (PVDF) - <i>BLUE</i>
<b>Unit Weight (with box)</b>	0.24 kg	0.40 kg
<b>Inlet &amp; Outlet Connections</b>	40 mm BSPT	
<b>Suction Port Cap Connection - Default (Inner Diameter)</b>	0.5" tubing barbs	
<b>Suction Port Cap Connection - Alternate</b>	0.5" male NPT	
<b>Maximum Operating Temperature</b>	100° C	
<b>Maximum Operating Pressure (at 20° C)</b>	8.44 bar	

### ACCESSORIES

PART NUMBER	DESCRIPTION
<b>MV5-PP</b>	PP metering valve with custom "V Port" seat control (0.5" male NPT connections)
<b>MV5-N-PVDF</b>	Natural PVDF metering valve with custom "V Port" seat control (0.5" male NPT connections)
<b>S-50HB</b>	Strainer (0.5" barbed connection)
<b>S-84</b>	Strainer without tubing adapter (0.5" female NPT connection)

### REPLACEMENT PARTS

INJECTOR MODEL	SUCTION PORT CAP	CHECK VALVE REPAIR KIT
<b>ISO GRPP 1587</b> <i>GREEN</i>	ISO CAP.75 GRPP	CR-4
<b>ISO 1587 PVDF</b> <i>BLUE</i>	N/A	CR-4