

### CONSTRUCTION

<b>Available Material</b>	Polypropylene (PP) - <i>BLACK</i>	Polyvinylidene Fluoride (PVDF) - <i>BLACK &amp; NATURAL</i>	Polyvinylidene Fluoride (PVDF) - <i>NATURAL</i>
<b>Unit Weight (with box)</b>	0.61 lbs	0.89 lbs	0.89 lbs
<b>Inlet &amp; Outlet Connections</b>	1.5" male NPT	1.5" male NPT	1.5" Tri-clamp
<b>Suction Port Cap Connection - Default (Inner Diameter)</b>	0.5" tubing barbs		
<b>Suction Port Cap Connection - Alternate</b>	0.5" male NPT		
<b>Maximum Operating Temperature</b>	212° F		
<b>Maximum Operating Pressure (at 68° F)</b>	120 psi		

### ACCESSORIES

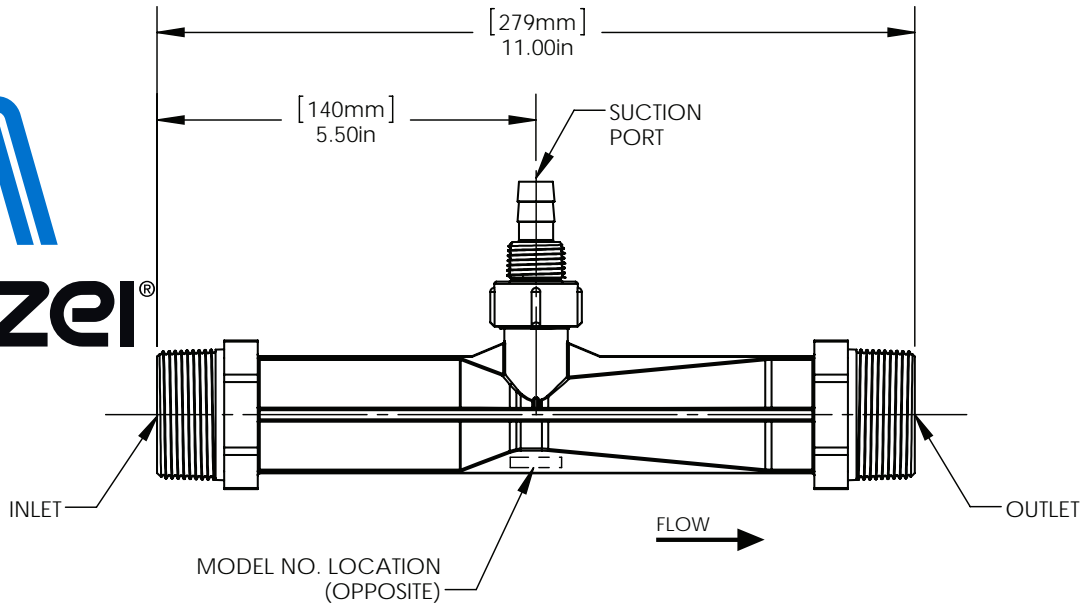
PART NUMBER	DESCRIPTION
<b>K-183</b>	Suction line kit (NOT FOR TRI-CLAMP)
<b>KR-183</b>	Economy suction line kit (NOT FOR TRI-CLAMP)
<b>K-183-A</b>	Bypass kit (includes suction line kit K-183) (NOT FOR TRI-CLAMP)
<b>MV5-PP</b>	PP metering valve with custom "V Port" seat control (0.5" male NPT connections)
<b>MV5-N-PVDF</b>	Natural PVDF metering valve with custom "V Port" seat control (0.5" male NPT connections)
<b>S-50HB</b>	Strainer (0.5" barbed connection)
<b>S-84</b>	Strainer without tubing adapter (0.5" female NPT connection)

### REPLACEMENT PARTS

INJECTOR MODEL	SUCTION PORT CAP	CHECK VALVE REPAIR KIT
<b>1584-A PP</b> <i>BLACK</i>	CAP.75 PP	CR-4
<b>1584-A PVDF</b> <i>BLACK</i>	CAP.75 PVDF	CR-4
<b>1584-A N-PVDF</b> <i>NATURAL</i>	CAP.75 N-PVDF	CR-4
<b>1584-TC N-PVDF</b> <i>NATURAL</i>	CAP.75 N-PVDF	CR-4

**Injector Data Sheet**  
 1584-A PP, 1584-A PVDF, 1584-A N-PVDF, & 1584-TC N-PVDF

**Model 1584-A**



### CONSTRUCTION

<b>Available Material</b>	Polyvinylidene Fluoride (PVDF) - <i>BLUE</i>
<b>Unit Weight (with box)</b>	0.40 kg
<b>Inlet &amp; Outlet Connections</b>	40 mm BSPT
<b>Suction Port Cap Connection - Default (Inner Diameter)</b>	0.5" tubing barbs
<b>Suction Port Cap Connection - Alternate</b>	0.5" male NPT
<b>Maximum Operating Temperature</b>	100° C
<b>Maximum Operating Pressure (at 20° C)</b>	8.44 bar

### ACCESSORIES

PART NUMBER	DESCRIPTION
<b>MV5-PP</b>	PP metering valve with custom "V Port" seat control (0.5" male NPT connections)
<b>MV5-N-PVDF</b>	Natural PVDF metering valve with custom "V Port" seat control (0.5" male NPT connections)
<b>S-50HB</b>	Strainer (0.5" barbed connection)
<b>S-84</b>	Strainer without tubing adapter (0.5" female NPT connection)

### REPLACEMENT PARTS

INJECTOR MODEL	SUCTION PORT CAP	CHECK VALVE REPAIR KIT
<b>ISO 1584A PVDF</b> <i>BLUE</i>	N/A	CR-4

