

### CONSTRUCTION

Available Material	Polypropylene (PP) - BLACK	Polyvinylidene Fluoride (PVDF) - BLACK & NATURAL	Ethylene chlorotrifluoroethylene (ECTFE) - NATURAL
Unit Weight (with box)	0.61 lbs	0.93 lbs	0.93 lbs
Inlet & Outlet Connections	1.5" male NPT	1.5" male NPT	1.5" Tri-clamp
Suction Port Cap Connection - Default (Inner Diameter)	0.5" tubing barbs		
Suction Port Cap Connection - Alternate	0.5" male NPT		
Maximum Operating Temperature	212° F		
Maximum Operating Pressure (at 68° F)	120 psi		

### ACCESSORIES

PART NUMBER	DESCRIPTION
K-183	Suction line kit (NOT FOR TRI-CLAMP)
KR-183	Economy suction line kit (NOT FOR TRI-CLAMP)
K-183-A	Bypass kit (includes suction line kit K-183) (NOT FOR TRI-CLAMP)
MV5-PP	PP metering valve with custom "V Port" seat control (0.5" male NPT connections)
MV5-N-PVDF	Natural PVDF metering valve with custom "V Port" seat control (0.5" male NPT connections)
S-50HB	Strainer (0.5" barbed connection)
S-84	Strainer without tubing adapter (0.5" female NPT connection)

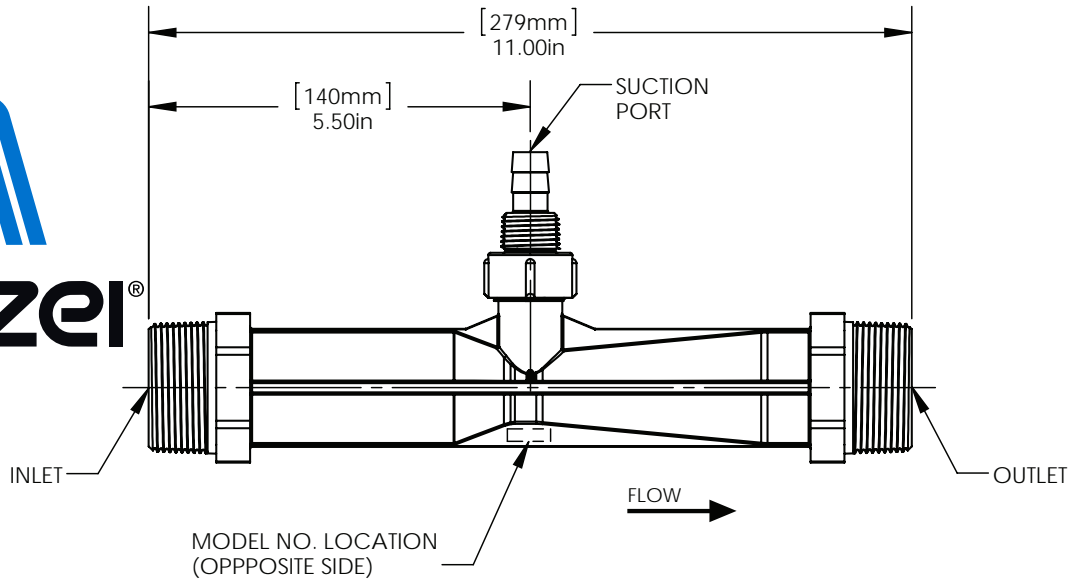
### REPLACEMENT PARTS

INJECTOR MODEL	SUCTION PORT CAP	CHECK VALVE REPAIR KIT
1583-A PP BLACK	CAP.75 PP	CR-4
1583-A PVDF BLACK	CAP.75 PVDF	CR-4
1583-A N-PVDF NATURAL	CAP.75 N-PVDF	CR-4
1583-TC ECTFE NATURAL	N/A	CR-4



**Injector Data Sheet**  
 1583-A PP, 1583-A PVDF, 1583-A N-PVDF, & 1583-TC ECTFE

**Model 1583-A**



**Injector Data Sheet**  
 ISO GRPP 1583A & ISO 1583A PVDF

### CONSTRUCTION

<b>Available Material</b>	Polypropylene (PP) - GREEN	Polyvinylidene Fluoride (PVDF) - BLUE
<b>Unit Weight (with box)</b>	0.25 kg	0.42 kg
<b>Inlet &amp; Outlet Connections</b>	40 mm BSPT	
<b>Suction Port Cap Connection - Default (Inner Diameter)</b>	0.5" tubing barbs	
<b>Suction Port Cap Connection - Alternate</b>	0.5" male NPT	
<b>Maximum Operating Temperature</b>	100° C	
<b>Maximum Operating Pressure (at 20° C)</b>	8.44 bar	

### ACCESSORIES

PART NUMBER	DESCRIPTION
<b>MV5-PP</b>	PP metering valve with custom "V Port" seat control (0.5" male NPT connections)
<b>MV5-N-PVDF</b>	Natural PVDF metering valve with custom "V Port" seat control (0.5" male NPT connections)
<b>S-50HB</b>	Strainer (0.5" barbed connection)
<b>S-84</b>	Strainer without tubing adapter (0.5" female NPT connection)

### REPLACEMENT PARTS

INJECTOR MODEL	SUCTION PORT CAP	CHECK VALVE REPAIR KIT
<b>ISO GRPP 1583A GREEN</b>	ISO CAP .75 GRPP	CR-4
<b>ISO 1583A PVDF BLUE</b>	N/A	CR-4

**Model 1583-A**