

Injector Data Sheet
 0885X 02 PP, 0885X 02 PVDF, & 0885X 02 N-PVDF

CONSTRUCTION

Available Material	Polypropylene (PP) - BLACK	Polyvinylidene Fluoride (PVDF) - BLACK & NATURAL
Unit Weight (with box)	0.36 lbs	0.53 lbs
Inlet & Outlet Connections	1" male NPT	
Suction Port Cap Connection - Default (Inner Diameter)	0.5" tubing barbs	
Suction Port Cap Connection - Alternate	0.5" male NPT	
Maximum Operating Temperature	212° F	
Maximum Operating Pressure (at 68° F)	120 PSI	

ACCESSORIES

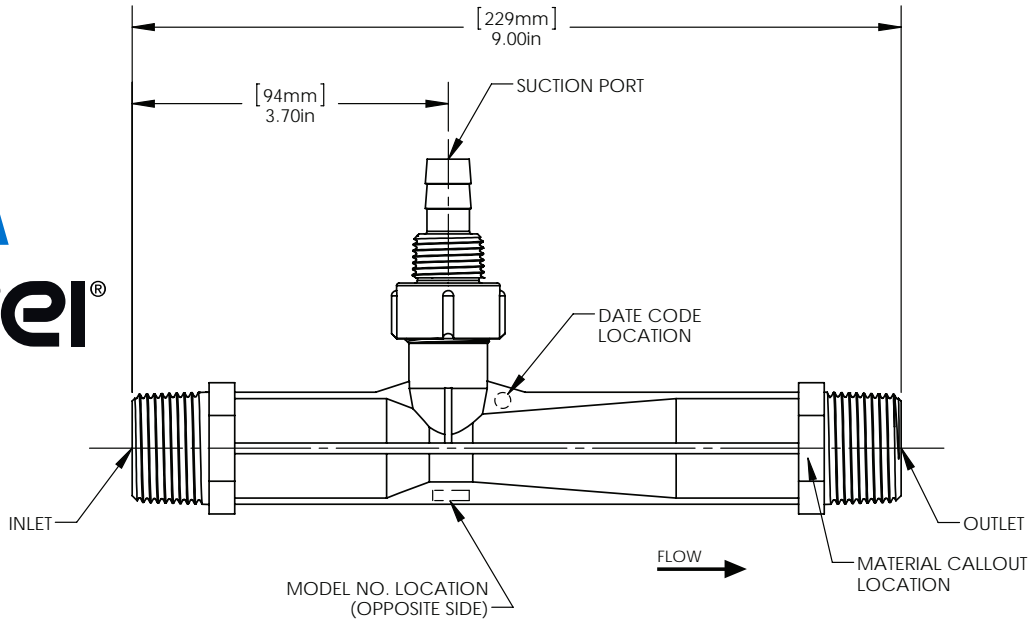
PART NUMBER	DESCRIPTION
K-183	Suction line kit
KR-183	Economy suction line kit
K181-A 02	Bypass kit (includes suction line kit K-183)
MV5-PP	PP metering valve with custom "V Port" seat control (0.5" male NPT connections)
MV5-N-PVDF	Natural PVDF metering valve with custom "V Port" seat control (0.5" male NPT connections)
S-50HB	Strainer (0.5" barbed connection)
S-84	Strainer without tubing adapter (0.5" female NPT connection)

REPLACEMENT PARTS

INJECTOR MODEL	SUCTION PORT CAP	CHECK VALVE REPAIR KIT
0885X 02 PP BLACK	CAP .75 PP	CR-4
0885X 02 PVDF BLACK	CAP .75 PVDF	CR-4
0885X 02 N-PVDF NATURAL	CAP.75 N-PVDF	CR-4



Model 0885X



CONSTRUCTION

Available Material	Polypropylene (PP) - <i>GREEN</i>	Polyvinylidene Fluoride (PVDF) - <i>BLUE</i>
Unit Weight (with box)	0.15 kg	0.24 kg
Inlet & Outlet Connections	25 mm male BSPT	
Suction Port Cap Connection - Default (Inner Diameter)	0.5" tubing barbs	
Suction Port Cap Connection - Alternate	0.5" male NPT	
Maximum Operating Temperature	100° C	
Maximum Operating Pressure (at 20° C)	8.44 bar	

ACCESSORIES

PART NUMBER	DESCRIPTION
MV5-PP	PP metering valve with custom "V Port" seat control (0.5" male NPT connections)
MV5-N-PVDF	Natural PVDF metering valve with custom "V Port" seat control (0.5" male NPT connections)
S-50HB	Strainer (0.5" barbed connection)
S-84	Strainer without tubing adapter (0.5" female NPT connection)

REPLACEMENT PARTS

INJECTOR MODEL	SUCTION PORT CAP	CHECK VALVE REPAIR KIT
ISOGRPP 885X-3 <i>GREEN</i>	ISO CAP .75 GRPP	CR-4
ISO 0885X2PVDF <i>BLUE</i>	N/A	CR-4