

**Injector Data Sheet**  
 0584 PP, 0584 PVDF, & 0584 N-PVDF

### CONSTRUCTION

Available Material	Polypropylene (PP) - BLACK	Polyvinylidene Fluoride (PVDF) - BLACK & NATURAL
Unit Weight (with box)	0.16 lbs	0.23 lbs
Inlet & Outlet Connections	0.75" male NPT	
Suction Port Cap Connection - Default (Inner Diameter)	0.25" tubing barb	
Suction Port Cap Connection - Alternate	0.25" male NPT	
Maximum Operating Temperature	212°F	
Maximum Operating Pressure (at 68° F)	120 PSI	

### ACCESSORIES

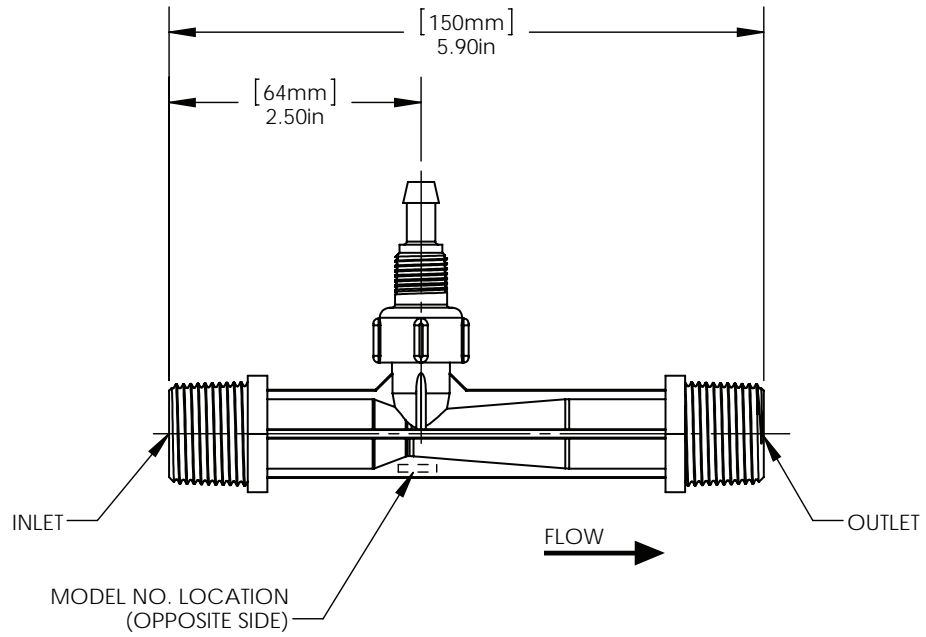
PART NUMBER	DESCRIPTION
K-184	Suction line kit
K-F-30L	K-184 suction line kit with F-30 L liquid flowmeter
K584-S	K-184 suction line kit, F-30 L liquid flowmeter, and 0584 PP injector
K-184-B	Bypass kit (includes suction line kit K-184)
K584-B	K-184-A bypass kit, F-30 L liquid flowmeter, and 0584 PP injector
MV-25	0.25" PP metering valve with valve position indicator ring
MV-25A	0.25" PP metering valve
S-25HB	Strainer with 0.25" barbed connection

### REPLACEMENT PARTS

INJECTOR MODEL	SUCTION PORT CAP	CHECK VALVE REPAIR KIT
0584 PP BLACK	CAP.375 PP	CR-2
0584 PVDF BLACK	CAP .375 PVDF	CR-2
0584 N-PVDF NATURAL	CAP.375 N-PVDF	CR-2



**Model 0584**



**Injector Data Sheet**  
 ISO GRPP 0584 & ISO 0584 PVDF

### CONSTRUCTION

<b>Available Material</b>	Polypropylene (PP) - GREEN	Polyvinylidene Fluoride (PVDF) - BLUE
<b>Unit Weight (with box)</b>	0.06 kg	0.10 kg
<b>Inlet &amp; Outlet Connections</b>	20 mm male BSPT	
<b>Suction Port Cap Connection - Default (Inner Diameter)</b>	0.25" tubing barb	
<b>Suction Port Cap Connection - Alternate</b>	0.25" male NPT	
<b>Maximum Operating Temperature</b>	100°C	
<b>Maximum Operating Pressure (at 20° C)</b>	8.44 bar	

### ACCESSORIES

PART NUMBER	DESCRIPTION
<b>MV-25</b>	0.25" PP metering valve with valve position indicator ring
<b>MV-25A</b>	0.25" PP metering valve
<b>S-25HB</b>	Strainer with 0.25" barbed connection

### REPLACEMENT PARTS

INJECTOR MODEL	SUCTION PORT CAP	CHECK VALVE REPAIR KIT
<b>ISO GRPP 0584 GREEN</b>	ISO CAP.375 GRP	CR-2
<b>ISO 0584 PVDF BLUE</b>	N/A	CR-2



**Model 0584**