

### CONSTRUCTION

<b>Available Material</b>	Polypropylene (PP) - <i>BLACK</i>	Polyvinylidene Fluoride (PVDF) - <i>NATURAL</i>
<b>Unit Weight (with box)</b>	0.07 lbs	0.10 lbs
<b>Inlet &amp; Outlet Connections</b>	0.5" male NPT	
<b>Suction Port Cap Connection - Default (Inner Diameter)</b>	0.25" tubing barb	
<b>Suction Port Cap Connection - Alternate</b>	N/A	
<b>Maximum Operating Temperature</b>	212°F	
<b>Maximum Operating Pressure (at 68° F)</b>	120 PSI	

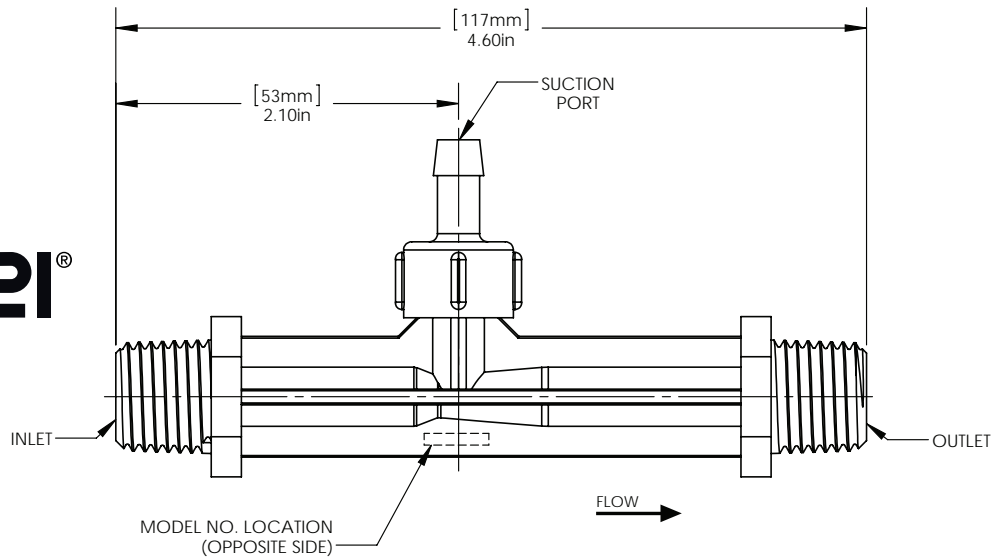
### ACCESSORIES

PART NUMBER	DESCRIPTION
<b>K-184</b>	Suction line kit
<b>K-F-30L</b>	K-184 suction line kit with F-30 L liquid flowmeter
<b>K287-S</b>	K-184 suction line kit, F-30 L liquid flowmeter, and 0287 PP injector
<b>K-184-A</b>	Bypass kit (includes suction line kit K-184)
<b>K287-B</b>	K-184-A bypass kit, F-30 L liquid flowmeter, and 0287 PP injector
<b>MV-25</b>	0.25" PP metering valve with valve position indicator ring
<b>MV-25A</b>	0.25" PP metering valve
<b>S-25HB</b>	Strainer with 0.25" barbed connection

### REPLACEMENT PARTS

INJECTOR MODEL	SUCTION PORT CAP	CHECK VALVE REPAIR KIT
<b>0287 PP</b> <i>BLACK</i>	CAP.25 PP	CR-1
<b>0287 N-PVDF</b> <i>NATURAL</i>	CAP.25 N-PVDF	CR-1





### CONSTRUCTION

<b>Available Material</b>	Polyvinylidene Fluoride (PVDF) - <i>BLUE</i>
<b>Unit Weight (with box)</b>	0.05 kg
<b>Inlet &amp; Outlet Connections</b>	15 mm male BSPT
<b>Suction Port Cap Connection - Default (Inner Diameter)</b>	0.25" tubing barb
<b>Suction Port Cap Connection - Alternate</b>	N/A
<b>Maximum Operating Temperature</b>	100° C
<b>Maximum Operating Pressure (at 20° C)</b>	8.44 bar

### ACCESSORIES

PART NUMBER	DESCRIPTION
<b>K-184</b>	Suction line kit
<b>K-F-30L</b>	K-184 suction line kit with F-30 L liquid flowmeter
<b>K-184-A</b>	Bypass kit (includes suction line kit K-184)
<b>MV-25</b>	0.25" PP metering valve with valve position indicator ring
<b>MV-25A</b>	0.25" PP metering valve
<b>S-25HB</b>	Strainer with 0.25" barbed connection

### REPLACEMENT PARTS

INJECTOR MODEL	SUCTION PORT CAP	CHECK VALVE REPAIR KIT
<b>ISO 0287 PVDF</b> <i>BLUE</i>	N/A	CR-1

