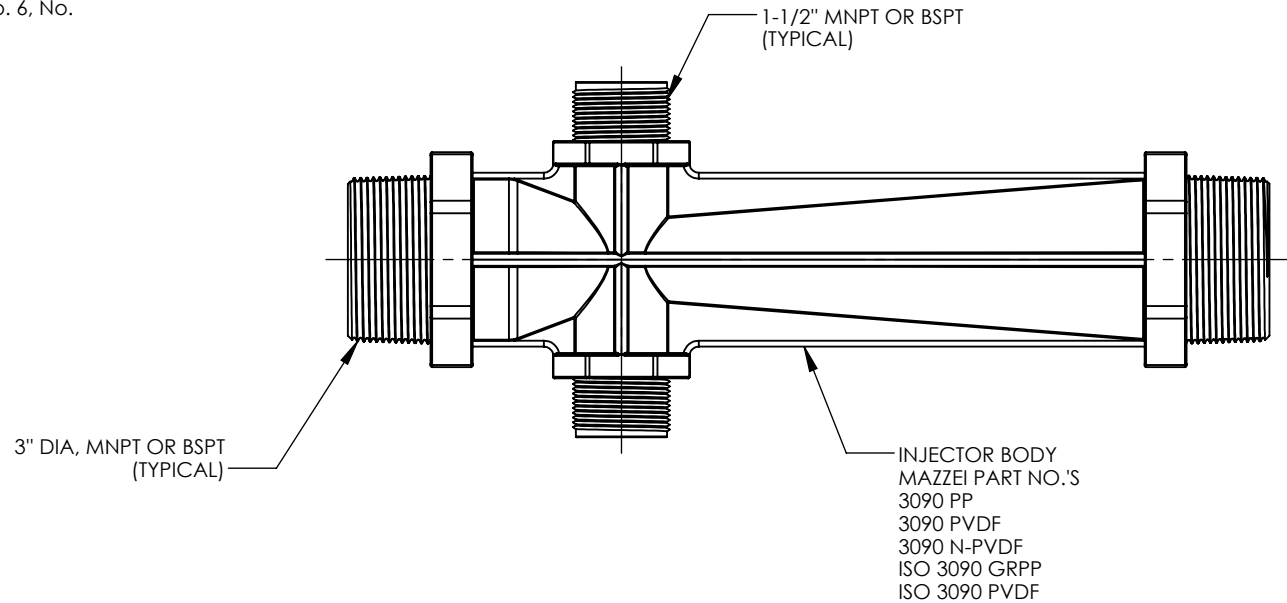
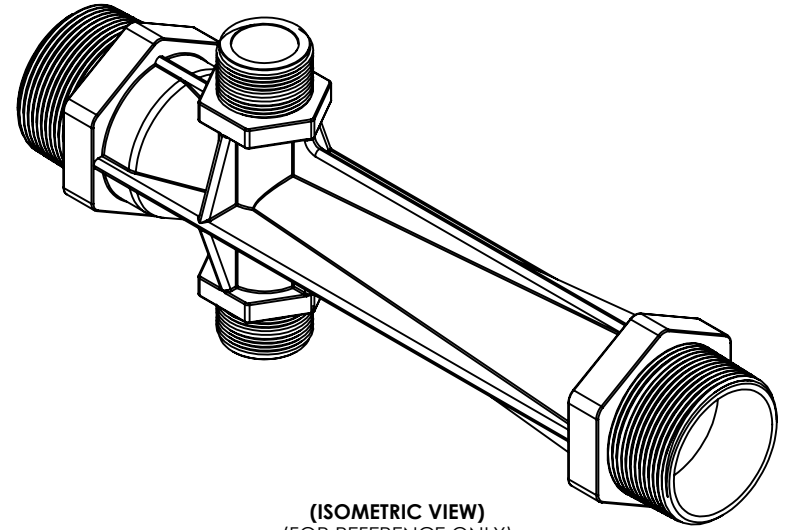


NOTES:

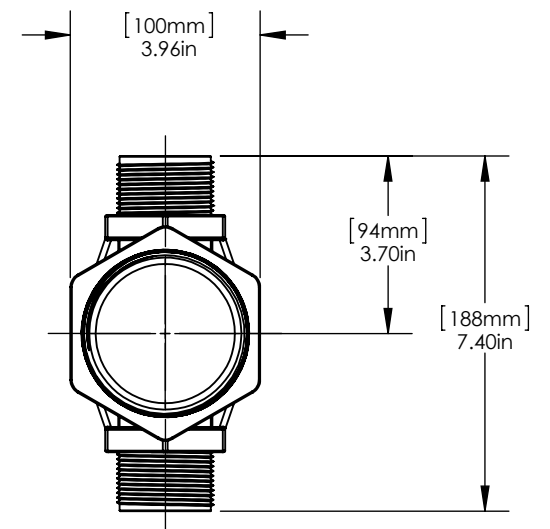
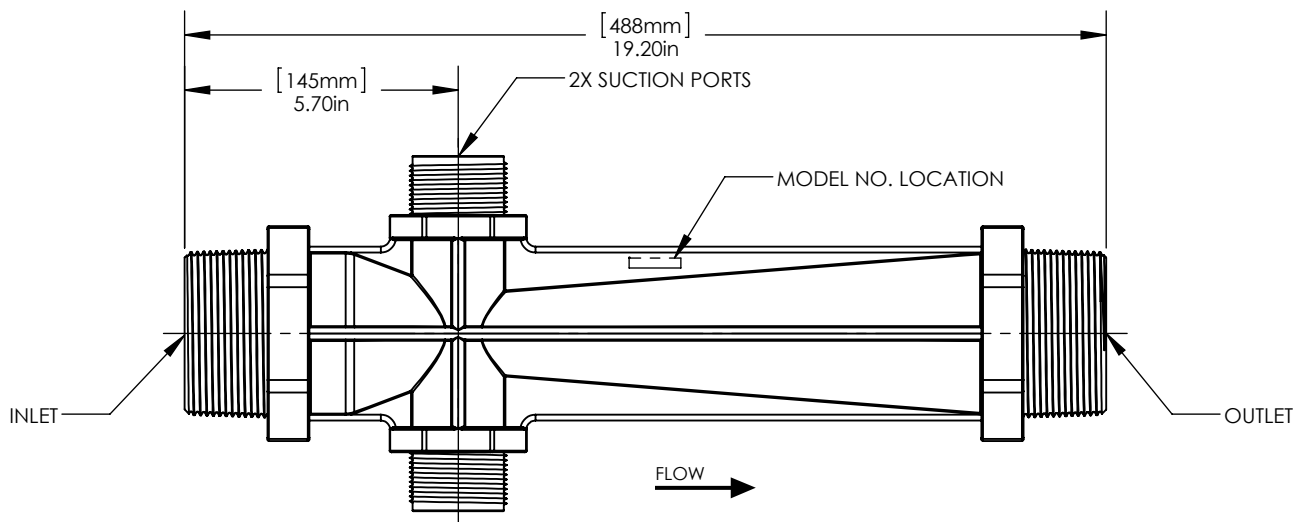
1. MADE IN THE U.S.A.
2. U.S. PATENT No. 5,863,128
3. U.S. No. 3,852,076 AND INTERNATIONAL REGISTERED TRADEMARKS
4. MATERIAL: GLASS FILLED POLYPROPYLENE (PP) OR POLYVINYLIDENE FLUORIDE (PVDF) OR NATURAL POLYVINYLIDENE FLUORIDE (N-PVDF).
5. INLET/OUTLET CONNECTIONS:  
3" DIA. MNPT OR BSPT
6. SUCTION PORT CONNECTIONS:  
1-1/2" MNPT OR BSPT
7. FOR INSTALLATION RECOMMENDATIONS REFER TO MAZZEI TECHNICAL BULLETINS No. 4, No. 5, No. 6, No. 10 AND No. 11, WHICH CAN BE FOUND AT WWW.MAZZEI.NET.
8. MAZZEI INJECTOR CO., LLC.  
500 ROOSTER DR.  
BAKERSFIELD, CA 93307  
TEL: 661.363.6500  
WEB: WWW.MAZZEI.NET




UNLESS OTHERWISE SPECIFIED DIMENSIONS ARE IN INCHES			TITLE: 3" INJECTOR; MODEL 3090		
DRAWN: J. PEREZ	DATE: 5/19/2015		DRAWING NO.: 3090		
APPROVED: T. JOHNS	SIZE: <b>A</b>	WEIGHT: N/A	SCALE: 1:4	REV.: B	SHEET: 1 OF 2



(ISOMETRIC VIEW)  
(FOR REFERENCE ONLY)

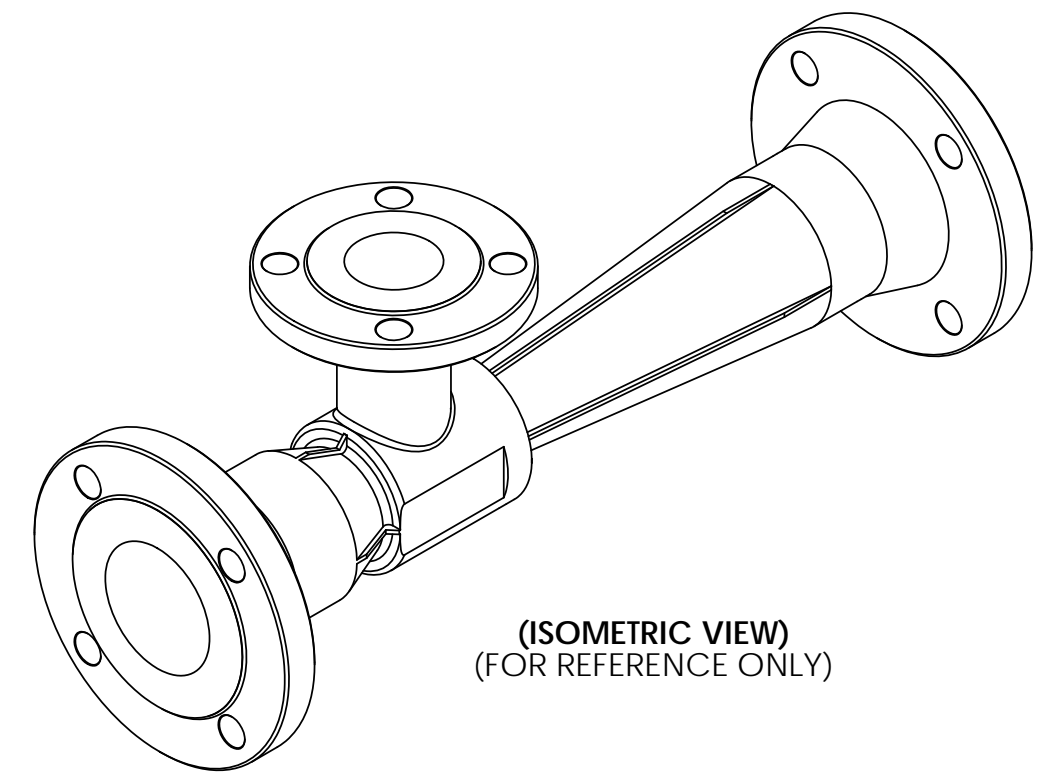


UNLESS OTHERWISE SPECIFIED DIMENSIONS ARE IN INCHES			TITLE: 3" INJECTOR; MODEL 3090		
DRAWN: J. PEREZ	DATE: 5/19/2015		DRAWING NO.: 3090		
APPROVED: T. JOHNS	SIZE: <b>A</b>	WEIGHT: N/A	SCALE: 1:4	REV.: B	SHEET: 2 OF 2

NOTES:


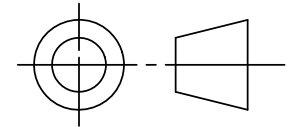
1. MATERIAL OF CONSTRUCTION: CD3MN, STAINLESS STEEL
2. MTR/HEAT NUMBERS ARE PROVIDED AND SHALL MEET APPLICABLE MATERIAL SPECIFICATIONS.
3. FLANGE BOLTS HOLES TO STRADDLE COMMON CENTERLINES, UNLESS OTHERWISE NOTED.
4. INLET/OUTLET CONNECTION:  
3" DIA., ANSI B16.5, CLASS 150, SCHED. 40, RAISED FACE - WELD NECK FLANGE.
5. SUCTION PORT CONNECTION:  
2" DIA., ANSI B16.5, CLASS 150, SCHED. 40, RAISED FACE - WELD NECK FLANGE.
6. WELDING JOINTS TO BE COMPLETE JOINT PENETRATION, WHERE POSSIBLE.
7. DYE PENETRATE TESTING IN ACCORDANCE WITH ASME B31.3 NORMAL SERVICE RECOMMENDATIONS WILL BE PERFORMED ON A MINIMUM OF 20% OF LINEAR LENGTH OF WELDS; OR HYDROSTATIC TESTING WILL BE PERFORMED AS PART OF MAZZEI'S NON-DESTRUCTIVE TESTING PROCEDURE.
8. CLEAN FOR PASSIVATION PER ASTM A380 GUIDELINES.
9. PASSIVATE PER ASTM A967 SPECIFICATION.
10. WELD MAP, NON DESTRUCTIVE TESTING (NDT), CLEANING AND INSPECTION REPORTS TO BE PROVIDED BY MAZZEI.
11. MAZZEI RECOMMENDS INSTALLING THE INJECTOR IN A HORIZONTAL POSITION OR IN A VERTICAL POSITION WITH THE LIQUID FLOW UP. MAZZEI DOESN'T HAVE ANY PREFERENCE FOR THE POSITION OF THE GAS CONNECTION, IT CAN POINT IN ANY DIRECTION, TOP, BOTTOM OR ON THE SIDE.

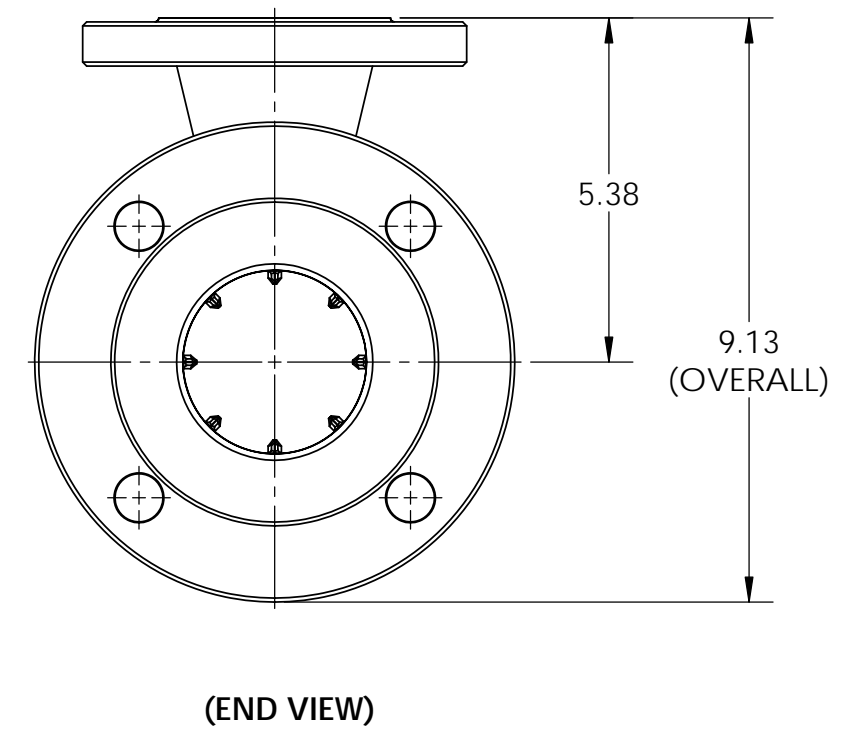
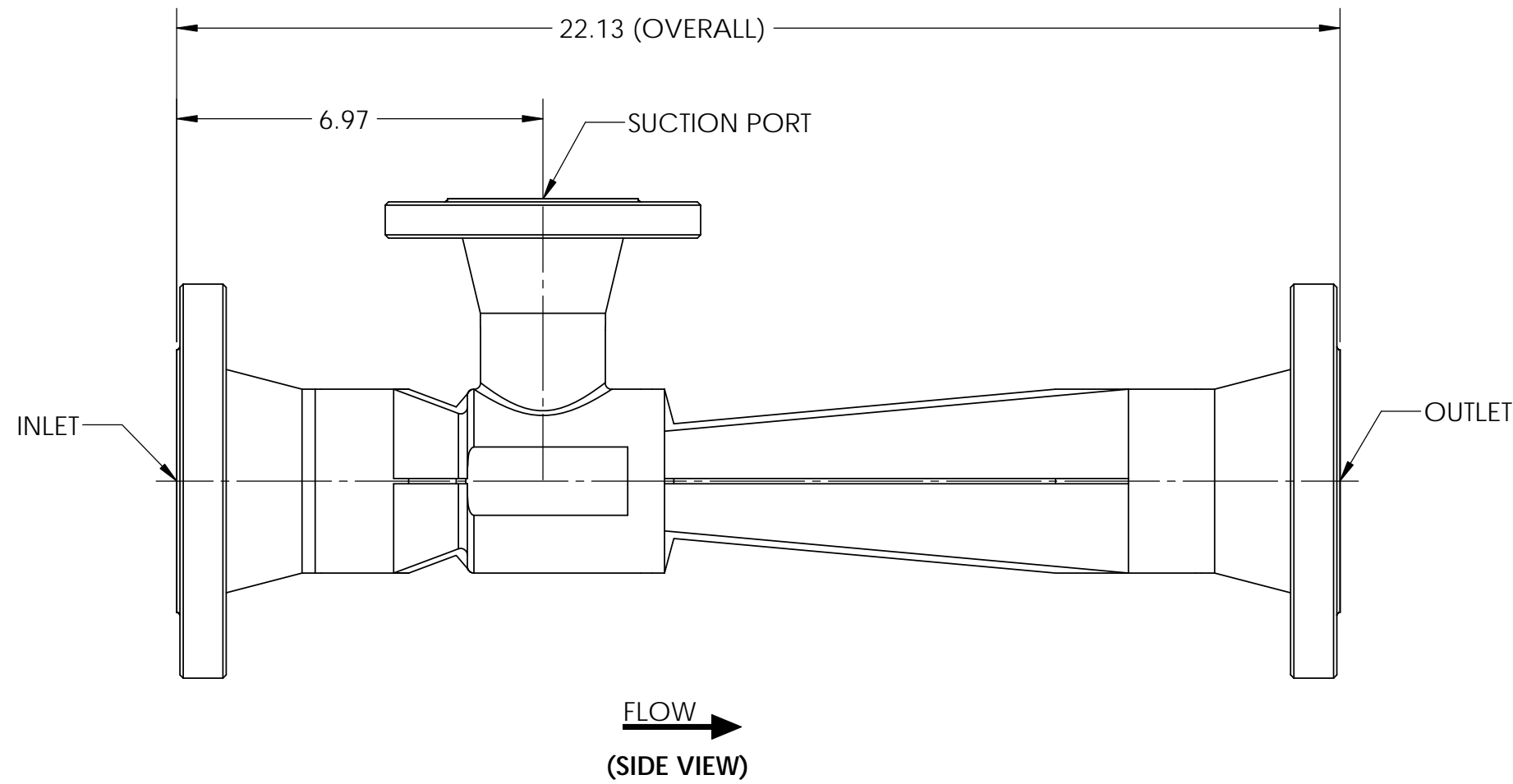
REVISIONS			
REV.	DESCRIPTION	DATE	APPROVED
NC	RELEASED FOR SUBMITTAL.	1/28/2013	P. BANKOWSKI




(ISOMETRIC VIEW)  
(FOR REFERENCE ONLY)

**SUBMITTAL DRAWING**

<b>SUBMITTAL NOTICE</b>		<b>CONFIDENTIALITY NOTICE</b>		UNLESS OTHERWISE SPECIFIED DIM ARE IN INCHES TOL ON ANGLE $\pm .1/2^\circ$ 1 PL $\pm .125$ 2 PL $\pm .060$ 3 PL $\pm .030$ INTERPRET DIM AND TOL PER ASME Y14.5M-1994		APPROVALS		DATE		 <b>MAZZEI INJECTOR CO., LLC</b> 500 ROOSTER DRIVE BAKERSFIELD, CA 93307 PHONE: (661) 363-6500 FAX: (661)363-7500 WWW.MAZZEI.NET	
ANY RECOMMENDATIONS FOR PRODUCT AND/OR SYSTEM DESIGN, WHETHER CONTAINED IN A DOCUMENT, WITHIN THIS DRAWING, COMMUNICATED BY ELECTRONIC MEANS OR GIVEN VERBALLY, ARE INTENDED SOLELY AS GUIDELINES TO ACTUAL SYSTEM DESIGN. SAID RECOMMENDATIONS ARE BASED UPON INFORMATION SUPPLIED BY OTHERS, THE ACCURACY OF WHICH IS BEYOND VERIFICATION BY MAZZEI INJECTOR CO. LLC. THEREFOR MAZZEI CANNOT AND DOES NOT WARRANT THE SUITABILITY OF ITS PRODUCTS FOR A PARTICULAR SERVICE NOR THE PERFORMANCE OF ANY SYSTEM CONTAINING COMPONENTS MADE OR SOLD BY MAZZEI.		THE INFORMATION CONTAINED IN THIS DRAWING IS THE SOLE PROPERTY OF MAZZEI INJECTOR COMPANY LLC. ANY REPRODUCTION IN PART OR AS A WHOLE WITHOUT THE WRITTEN PERMISSION OF MAZZEI IS STRICTLY PROHIBITED.		<b>THIRD ANGLE PROJECTION</b> 		DRAWN: T. JOHNS		1/24/2013			
						CHECKED: J. BENNETT		1/28/2013			
DRAWING MAY NOT BE PRINTED FULL SIZE DO NOT SCALE						APPROVED: P. BANKOWSKI		1/28/2013		SIZE: <b>B</b> JOB NO.: <b>NA</b> DRAWING NUMBER: <b>SSC03090MAA00-SUB</b> REV: <b>NC</b> SCALE: <b>NONE</b> WEIGHT: <b>41 LBS</b> SHEET: <b>1 OF 2</b>	

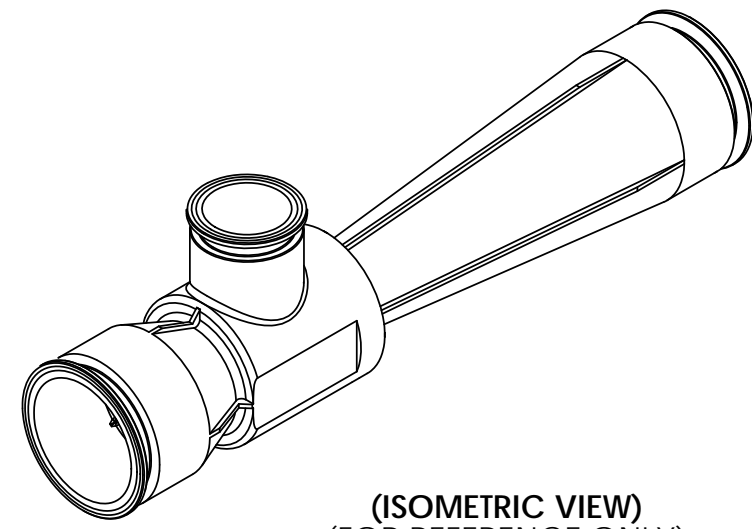


		<b>MAZZEI INJECTOR CO., LLC</b> 500 ROOSTER DRIVE BAKERSFIELD, CA 93307 PHONE: (661) 363-6500 FAX: (661)363-7500 WWW.MAZZEI.NET	
		TITLE: <b>INJECTOR; MODEL SSC3090-M</b>	
SIZE:	JOB NO.:	DRAWING NUMBER:	REV.:
<b>B</b>	<b>NA</b>	<b>SSC03090MAA00-SUB</b>	<b>NC</b>
SCALE:	WEIGHT:	SHEET:	
<b>1:3</b>	<b>41 LBS</b>	<b>2 OF 2</b>	

REVISIONS			
REV.	DESCRIPTION	DATE	APPROVED
NC	RELEASED FOR SUBMITTAL.	6/5/2013	P. BANKOWSKI

NOTES:

- MATERIAL OF CONSTRUCTION: CD3MN, STAINLESS STEEL
- MTR/HEAT NUMBERS ARE PROVIDED AND SHALL MEET APPLICABLE MATERIAL SPECIFICATIONS.
- INLET/OUTLET CONNECTION:  
3" DIA., SANITARY TRI-CLAMP FITTING  
MATERIAL: CD3MN  
SPECIFICATION: ASME BPE-2009
- SUCTION PORT CONNECTION:  
2" DIA., SANITARY TRI-CLAMP FITTING  
MATERIAL: CD3MN  
SPECIFICATION: ASME BPE-2009
- WELDING JOINTS TO BE COMPLETE JOINT PENETRATION, WHERE POSSIBLE.
- DYE PENETRANT TESTING IN ACCORDANCE WITH ASME B31.3 NORMAL SERVICE RECOMMENDATIONS WILL BE PERFORMED ON A MINIMUM OF 20% OF LINEAR LENGTH OF WELDS; OR HYDROSTATIC TESTING WILL BE PERFORMED AS PART OF MAZZEI'S NON-DESTRUCTIVE TESTING PROCEDURE.
- CLEANED FOR PASSIVATION PER ASTM A380 GUIDELINES.
- PASSIVATED PER ASTM A967 SPECIFICATION.
- WELD MAP, NON DESTRUCTIVE TESTING (NDT), CLEANING AND INSPECTION REPORTS TO BE PROVIDED BY MAZZEI.
- MAZZEI RECOMMENDS INSTALLING THE INJECTOR IN A HORIZONTAL POSITION. INJECTORS MAY BE INSTALLED IN A VERTICAL POSITION WITH THE LIQUID FLOW UPWARDS. HOWEVER, IN CERTAIN APPLICATIONS THIS MAY AFFECT PERFORMANCE. PLEASE REFER TO MAZZEI TECHNICAL BULLETIN No. 11; "MAZZEI INJECTOR INSTALLATION RECOMMENDATIONS FOR GAS TO LIQUID MIXING APPLICATIONS".

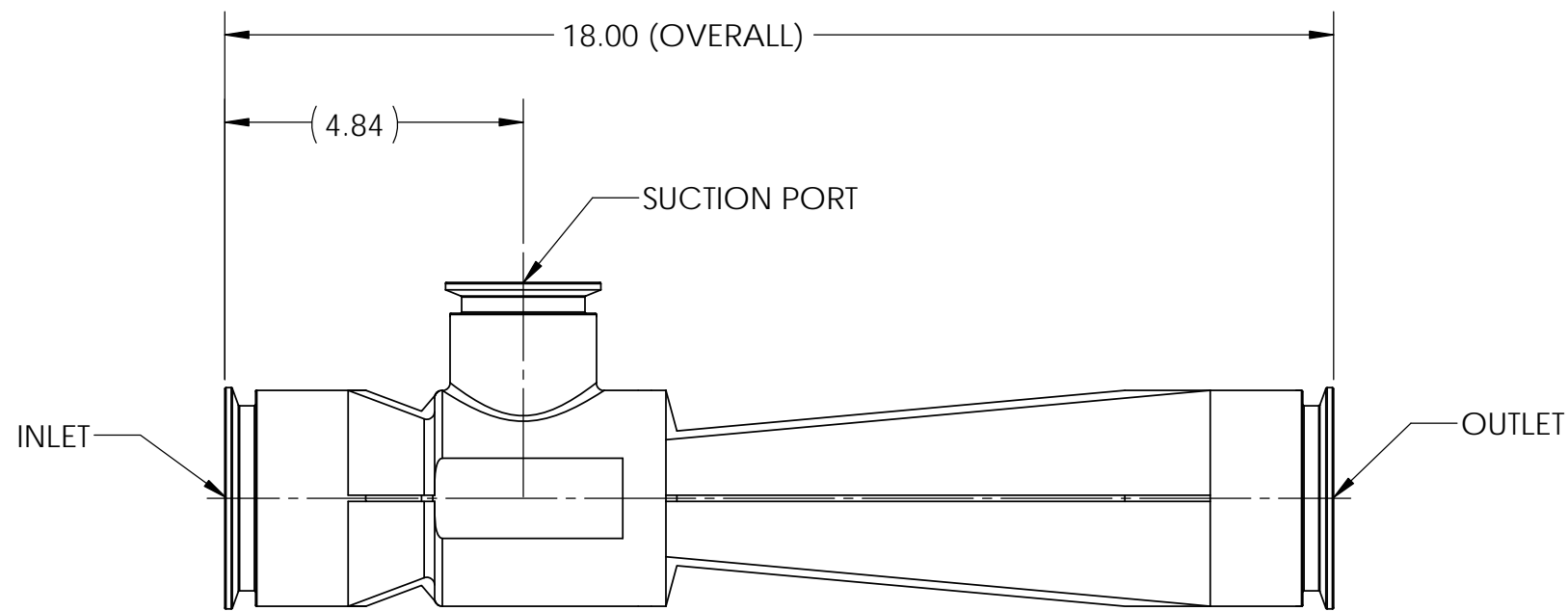


(ISOMETRIC VIEW)  
(FOR REFERENCE ONLY)

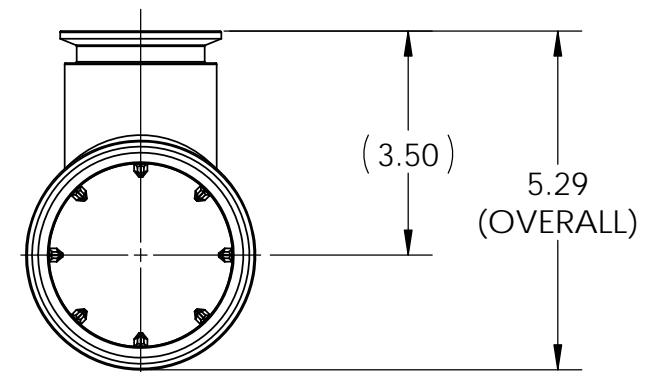
**SUBMITTAL DRAWING**

<p><b>SUBMITTAL NOTICE</b></p> <p>ANY RECCOMENDATIONS FOR PRODUCT AND/OR SYSTEM DESIGN, WHETHER CONTAINED IN A DOCUMENT, WITHIN THIS DRAWING, COMMUNICATED BY ELECTRONIC MEANS OR GIVEN VERBALLY, ARE INTENDED SOLELY AS GUIDELINES TO ACTUAL SYSTEM DESIGN. SAID RECCOMENDATIONS ARE BASED UPON INFORMATION SUPPLIED BY OTHERS, THE ACCURACY OF WHICH IS BEYOND VERIFICATION BY MAZZEI INJECTOR CO. LLC. THEREFOR MAZZEI CANNOT AND DOES NOT WARRANT THE SUITABILITY OF ITS PRODUCTS FOR A PARTICULAR SERVICE NOR THE PERFORMANCE OF ANY SYSTEM CONTAINING COMPONENTS MADE OR SOLD BY MAZZEI.</p>	<p><b>CONFIDENTIALITY NOTICE</b></p> <p>THE INFORMATION CONTAINED IN THIS DRAWING IS THE SOLE PROPERTY OF MAZZEI INJECTOR COMPANY LLC. ANY REPRODUCTION IN PART OR AS A WHOLE WITHOUT THE WRITTEN PERMISSION OF MAZZEI IS STRICTLY PROHIBITED.</p>	<p>UNLESS OTHERWISE SPECIFIED DIM ARE IN INCHES TOL ON ANGLE <math>\pm .1/2^\circ</math> 1 PL <math>\pm .125</math> 2 PL <math>\pm .060</math> 3 PL <math>\pm .030</math> INTERPRET DIM AND TOL PER ASME Y14.5M-1994</p>	<p>APPROVALS</p> <p>DRAWN: T. JOHNS</p> <p>CHECKED: J. MILLAN</p> <p>APPROVED: P. BANKOWSKI</p> <p>QA: -</p> <p>CUSTOMER APPROVAL: -</p> <p>CUSTOMER: NA</p>	<p>DATE</p> <p>6/5/2013</p> <p>6/3/2013</p> <p>6/5/2013</p>	<p><b>MAZZEI INJECTOR CO., LLC</b> 500 ROOSTER DRIVE BAKERSFIELD, CA 93307 PHONE: (661) 363-6500 FAX: (661)363-7500 WWW.MAZZEI.NET</p>	<p>TITLE: <b>INJECTOR; MODEL SSC3090-M</b></p>	<p>SIZE: <b>B</b></p>	<p>JOB NO.: <b>NA</b></p>	<p>DRAWING NUMBER: <b>SSC03090MBB00-SUB</b></p>	<p>REV: <b>NC</b></p>
		<p>THIRD ANGLE PROJECTION</p>	<p>SCALE: <b>NONE</b></p>	<p>WEIGHT: <b>15 LBS</b></p>			<p>SHEET: <b>1 OF 2</b></p>			


DRAWING MAY NOT BE PRINTED FULL SIZE  
DO NOT SCALE



FLOW →  
(SIDE VIEW)



(END VIEW)

		<b>MAZZEI INJECTOR CO., LLC</b> 500 ROOSTER DRIVE BAKERSFIELD, CA 93307 PHONE: (661) 363-6500 FAX: (661) 363-7500 WWW.MAZZEI.NET	
		TITLE: <b>INJECTOR; MODEL SSC3090-M</b>	
SIZE:	JOB NO.:	DRAWING NUMBER:	REV.:
<b>B</b>	<b>NA</b>	<b>SSC03090MBB00-SUB</b>	<b>NC</b>
SCALE:	WEIGHT:	SHEET:	
<b>1:3</b>	<b>15 LBS</b>	<b>2 OF 2</b>	