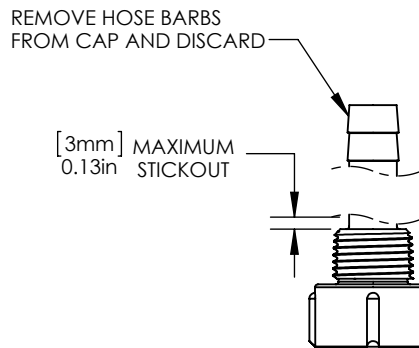
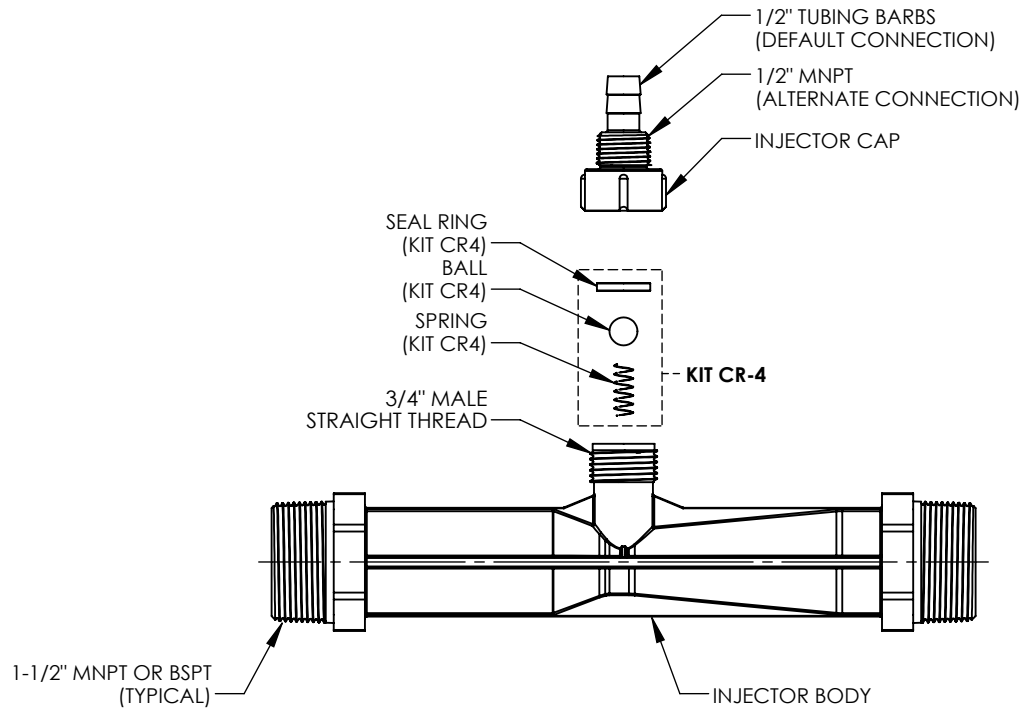


NOTES:

1. MADE IN THE U.S.A.
2. U.S. PATENT No. 5,863,128
3. U.S. No. 3,852,076 AND INTERNATIONAL REGISTERED TRADEMARKS
4. MATERIAL: GLASS FILLED POLYPROPYLENE (PP) OR POLYVINYLIDENE FLUORIDE (PVDF) OR NATURAL POLYVINYLIDENE FLUORIDE (N-PVDF) OR ETHYLENE CHLOROTRIFLUOROETHYLENE (ECTFE).
5. INLET/OUTLET CONNECTION:  
1-1/2" MNPT OR BSPT
6. SUCTION PORT CONNECTION:  
  
DEFAULT - 1/2" I.D. TUBING BARB WITH INTEGRATED CHECK VALVE  
  
ALTERNATE - 1/2" MNPT - SEE ALTERNATE CAP MODIFICATION DETAIL
7. FOR INSTALLATION RECOMMENDATIONS REFER TO MAZZEI TECHNICAL BULLETINS No. 4, No. 5, No. 6, No. 10 AND No. 11, WHICH CAN BE FOUND AT WWW.MAZZEI.NET.
8. MAZZEI INJECTOR CO., LLC.  
500 ROOSTER DR.  
BAKERSFIELD, CA 93307  
TEL: 661.363.6500  
WEB: WWW.MAZZEI.NET

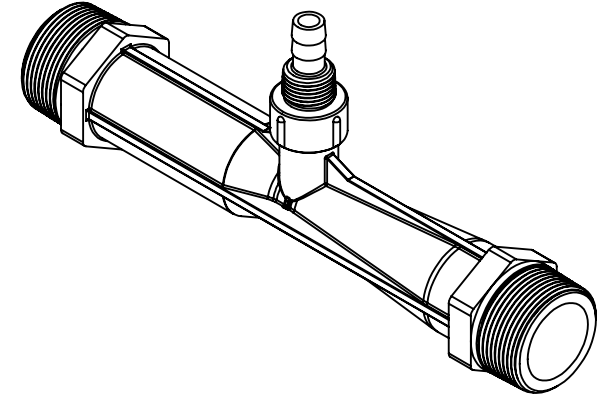


"CAP MODIFICATION DETAIL"  
(ALTERNATE)

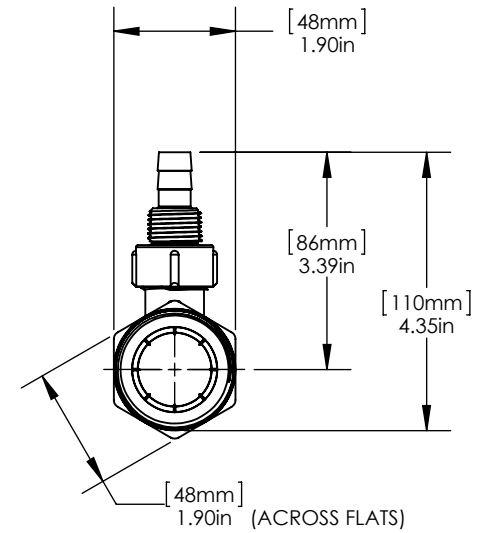
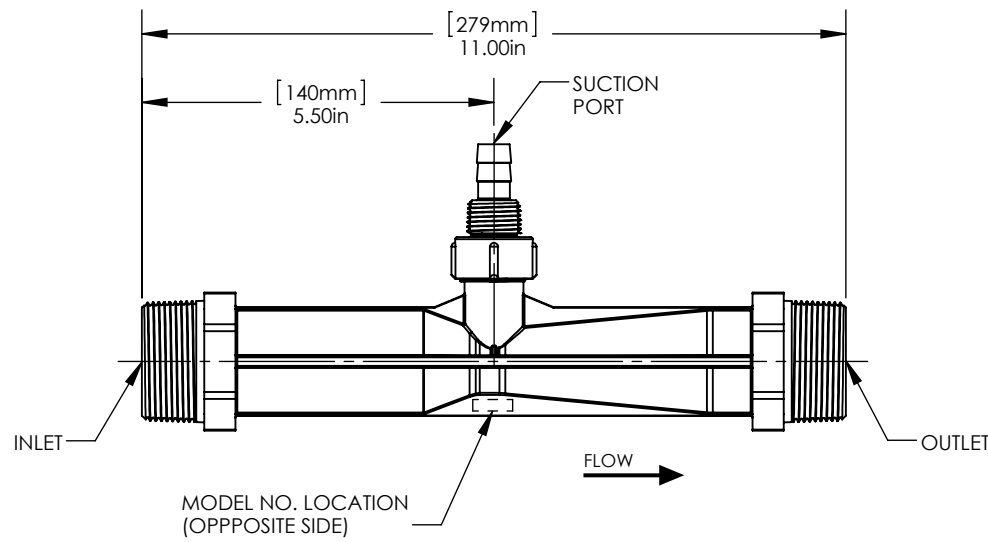
- INJECTOR BODY  
MAZZEI PART NO.'s  
1583-A PP  
1583-A PVDF  
1583-A N-PVDF  
1583-A ECTFE  
ISO 1583A GRPP  
ISO 1583A PVDF  
ISO 1583 ECTFE

KIT CR-4	
TITLE	MATERIAL
BALL	TEFLON @ (PTFE)
SEAL RING	KEL-F @ (PCTFE)
SPRING	HASTELLOY C-22

UNLESS OTHERWISE SPECIFIED DIMENSIONS ARE IN INCHES			TITLE: 1-1/2" INJECTOR; MODEL 1583-A		
DRAWN: G. NOVINS	DATE: 7/23/2014		DRAWING NO.: 1583-A		
APPROVED: T. JOHNS	SIZE: <b>A</b>	WEIGHT: N/A	SCALE: 1:3	REV.: B	SHEET: 1 OF 2



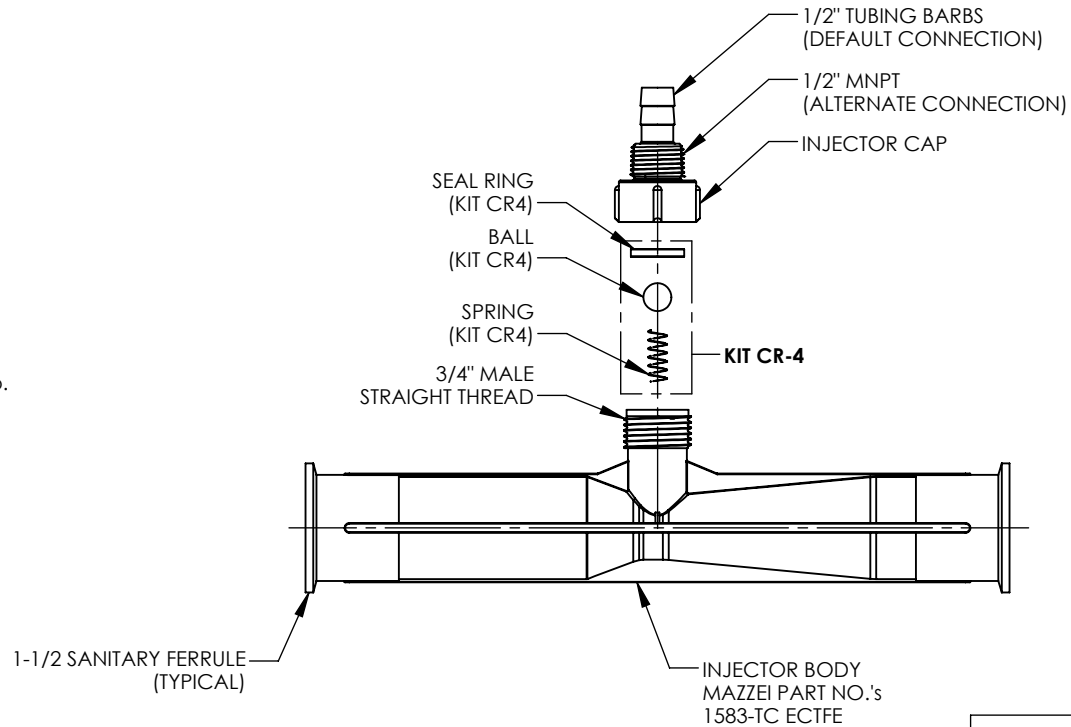
(ISOMETRIC VIEW)  
(FOR REFERENCE ONLY)



UNLESS OTHERWISE SPECIFIED DIMENSIONS ARE IN INCHES			TITLE: 1-1/2" INJECTOR; MODEL 1583-A		
DRAWN: G. NOVINS	DATE: 7/23/2014		DRAWING NO.: 1583-A		
APPROVED: T. JOHNS	SIZE: A	WEIGHT: N/A	SCALE: 1:3	REV.: B	SHEET: 2 OF 2

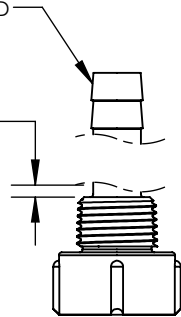
NOTES:

1. MADE IN THE U.S.A.
2. U.S. PATENT No. 5,863,128
3. U.S. No. 3,852,076 AND INTERNATIONAL REGISTERED TRADEMARKS
4. MATERIAL: ETHYLENE CHLOROTRIFLUOROETHYLENE (ECTFE).
5. INLET/OUTLET CONNECTION:  
1-1/2" SANITARY FERRULE
6. SUCTION PORT CONNECTION:  
  
DEFAULT - 1/2" I.D. TUBING BARB WITH INTEGRATED CHECK VALVE  
  
ALTERNATE - 1/2" MNPT - SEE ALTERNATE CAP MODIFICATION DETAIL
7. FOR INSTALLATION RECOMMENDATIONS REFER TO MAZZEI TECHNICAL BULLETINS No. 4, No. 5, No. 6, No. 10 AND No. 11, WHICH CAN BE FOUND AT WWW.MAZZEI.NET.
8. MAZZEI INJECTOR CO., LLC.  
500 ROOSTER DR.  
BAKERSFIELD, CA 93307  
TEL: 661.363.6500  
WEB: WWW.MAZZEI.NET



REMOVE HOSE BARBS FROM CAP AND DISCARD

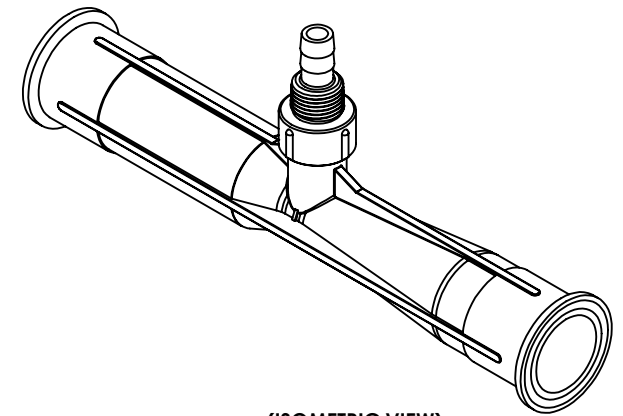
[3mm]  
0.13in  
MAXIMUM  
STICKOUT



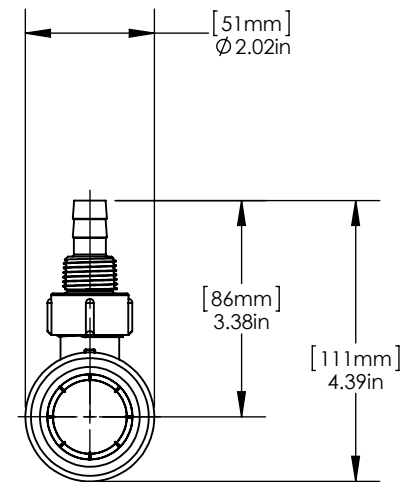
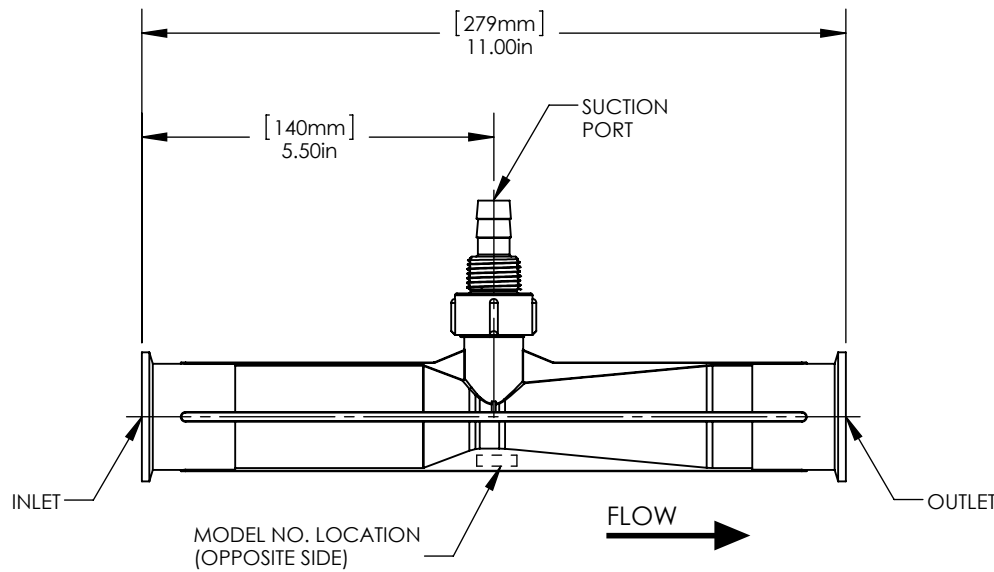
"CAP MODIFICATION DETAIL"  
(ALTERNATE)

KIT CR-4	
TITLE	MATERIAL
BALL	TEFLON @ (PTFE)
SEAL RING	KEL-F @ (PCTFE)
SPRING	HASTELLOY C-22

UNLESS OTHERWISE SPECIFIED DIMENSIONS ARE IN INCHES			TITLE: 1-1/2" INJECTOR; MODEL 1583-TC		
DRAWN: G. NOVINS	DATE: 7/23/2014		DRAWING NO.: 1583-TC		
APPROVED: T. JOHNS	SIZE: A	WEIGHT: N/A	SCALE: 1:3	REV.: B	SHEET: 1 OF 2



(ISOMETRIC VIEW)  
(FOR REFERENCE ONLY)

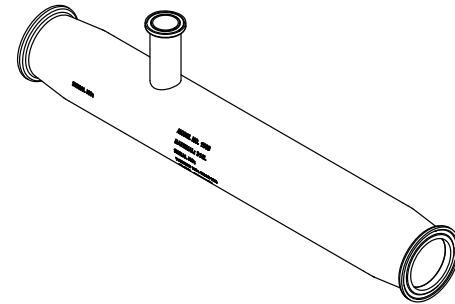


UNLESS OTHERWISE SPECIFIED DIMENSIONS ARE IN INCHES			TITLE: 1-1/2" INJECTOR; MODEL 1583-TC		
DRAWN: G. NOVINS	DATE: 7/23/2014		DRAWING NO.: 1583-TC		
APPROVED: T. JOHNS	SIZE: A	WEIGHT: N/A	SCALE: 1:3	REV.: B	SHEET: 2 OF 2

NOTES:


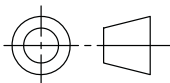
1. MATERIAL OF CONSTRUCTION: TYPE 316L, STAINLESS STEEL
2. MTR/HEAT NUMBERS ARE PROVIDED AND SHALL MEET APPLICABLE MATERIAL SPECIFICATIONS.
3. INLET/OUTLET CONNECTION:  
1.50" NOMINAL DIA., ASME BPE-2008, SANITARY TRI-CLAMP FITTING
4. SUCTION PORT CONNECTION:  
.75" NOMINAL DIA., ASME BPE-2008, SANITARY TRI-CLAMP FITTING
5. WELDING JOINTS TO BE COMPLETE JOINT PENETRATION, WHERE POSSIBLE.
6. HYDROTESTING MAY BE PERFORMED IN ACCORDANCE WITH MAZZEI SOP NO. 6090.
7. DYE PENETRANT TESTING MAY BE PERFORMED IN ACCORDANCE WITH MAZZEI SOP NO. 6095.
8. CLEANED FOR PASSIVATION PER ASTM A380 GUIDELINES.
9. PASSIVATED PER ASTM A967 AND/OR ASTM B912 SPECIFICATION.
10. WELD MAP, NON DESTRUCTIVE TESTING (NDT), CLEANING, SURFACE FINISH CERTIFICATE AND INSPECTION REPORTS TO BE PROVIDED BY MAZZEI.

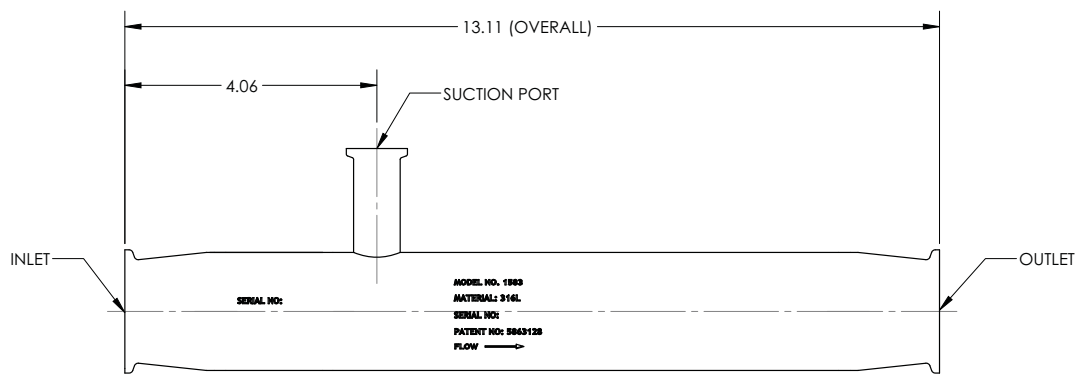
REVISIONS			
REV.	DESCRIPTION	DATE	APPROVED
NC	RELEASED FOR SUBMITTAL.	10/15/2014	J. BENNETT
A	UPDATED NOTES & SHEET FORMAT.	3/13/2015	J. BENNETT



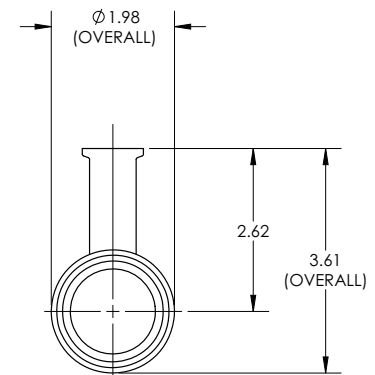
(ISOMETRIC VIEW)  
(FOR REFERENCE ONLY)

**SUBMITTAL DRAWING**


<b>SUBMITTAL NOTICE</b>		<b>CONFIDENTIALITY NOTICE</b>		UNLESS OTHERWISE SPECIFIED DIM ARE IN INCHES TOL ON ANGLE ± .50° 2 PL ± .06 3 PL ± .030 INTERPRET DIM AND TOL PER ASME Y14.5M-1994		APPROVALS		DATE		 <b>MAZZEI INJECTOR CO., LLC</b> 500 ROOSTER DRIVE BAKERSFIELD, CA 93307 PHONE: (661) 363-6500 FAX: (661)363-7500 WWW.MAZZEI.NET	
ANY RECOMMENDATIONS FOR PRODUCT AND/OR SYSTEM DESIGN, WHETHER CONTAINED IN A DOCUMENT, WITHIN THIS DRAWING, COMMUNICATED BY ELECTRONIC MEANS OR GIVEN VERBALLY, ARE INTENDED SOLELY AS GUIDELINES TO ACTUAL SYSTEM DESIGN. SAID RECOMMENDATIONS ARE BASED UPON INFORMATION SUPPLIED BY OTHERS, THE ACCURACY OF WHICH IS BEYOND VERIFICATION BY MAZZEI INJECTOR CO. LLC. THEREFORE MAZZEI CANNOT AND DOES NOT WARRANT THE SUITABILITY OF ITS PRODUCTS FOR A PARTICULAR SERVICE NOR THE PERFORMANCE OF ANY SYSTEM CONTAINING COMPONENTS MADE OR SOLD BY MAZZEI.		THE INFORMATION CONTAINED IN THIS DRAWING IS THE SOLE PROPERTY OF MAZZEI INJECTOR COMPANY LLC. ANY REPRODUCTION IN PART OR AS A WHOLE WITHOUT THE WRITTEN PERMISSION OF MAZZEI IS STRICTLY PROHIBITED.		<b>THIRD ANGLE PROJECTION</b> 		DRAWN: J. PEREZ		10/16/2014			
						CHECKED: T. JOHNS		10/16/2014		SIZE: JOB NO.: DRAWING NUMBER: REV:	
						APPROVED: J. BENNETT		10/16/2014		B N/A SSF01583ABBC0-SUB A SCALE: NONE WEIGHT: 5.75 LBS SHEET: 1 OF 2	
		DRAWING MAY NOT BE PRINTED FULL SIZE DO NOT SCALE				QA: -		CUSTOMER APPROVAL: -			
						CUSTOMER: N/A					



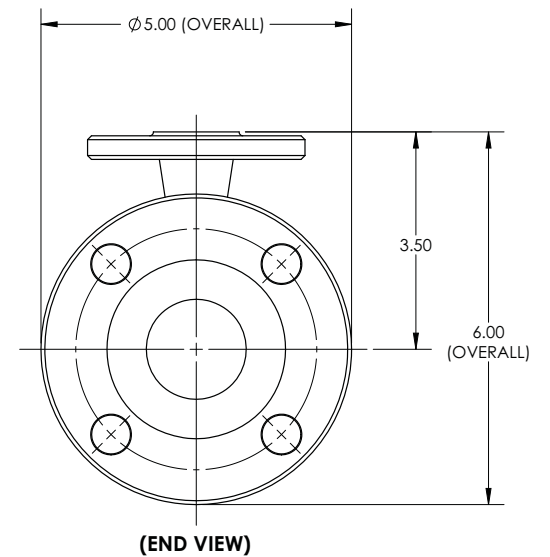
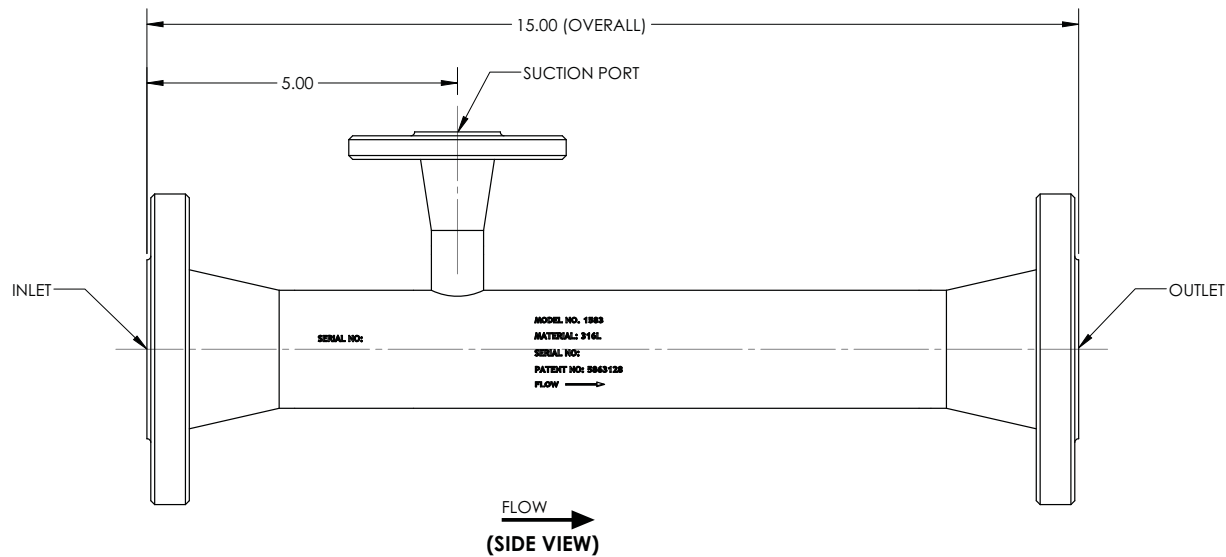
FLOW →  
(SIDE VIEW)




(END VIEW)

		<b>MAZZEI INJECTOR CO., LLC</b> 500 ROOSTER DRIVE BAKERSFIELD, CA 93307 PHONE: (661) 363-6500 FAX: (661)363-7500 WWW.MAZZEI.NET	
		DESCRIPTION: <b>INJECTOR; SSF01583ABBC0</b>	
SIZE:	JOB NO.:	DRAWING NUMBER:	REV:
<b>B</b>	N/A	SSF01583ABBC0-SUB	<b>A</b>
SCALE:	WEIGHT:	SHEET:	
1:2	5.75 LBS		2 OF 2





		<b>MAZZEI INJECTOR CO., LLC</b> 500 ROOSTER DRIVE BAKERSFIELD, CA 93307 PHONE: (661) 363-6500 FAX: (661)363-7500 WWW.MAZZEI.NET	
		DESCRIPTION: INJECTOR; SSF01583AAA00	
SIZE:	JOB NO.:	DRAWING NUMBER:	REV:
<b>B</b>	N/A	SSF01583AAA00-SUB	<b>C</b>
SCALE:	WEIGHT:	SHEET:	
1:2	13.83 LBS		2 OF 2