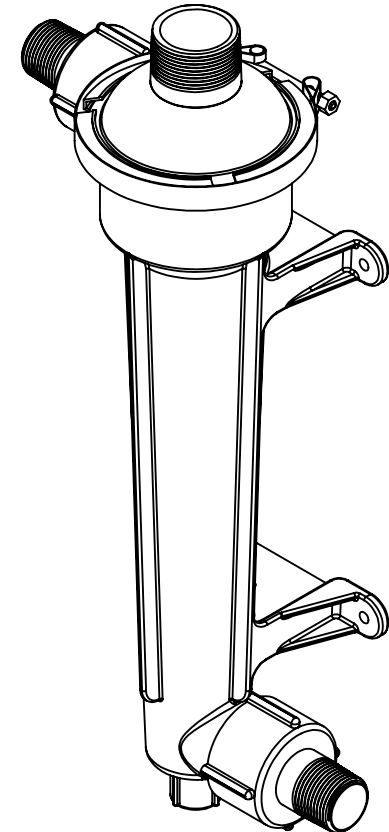


NOTES:

1. MATERIAL OF CONSTRUCTION: POLYVINYLIDENE FLOURIDE (PVDF), FLUOROCARBON (FKM) O-RINGS
2. MAXIMUM PRESSURE: 100 PSI (6.89 BAR)
3. MAXIMUM OPERATING TEMPERATURE: 150°F (65.56°C)
4. RATED FLOW: 5-15 GPM (1.14-3.41 M³/HR) WITH APPROPRIATE NOZZLE
5. EMPTY WEIGHT (DRY): APPROXIMATELY 4.5 LBS. (2 KG)
6. WATER VOLUME: .36 GALLONS (1.36 LITERS)
7. INLET/OUTLET CONNECTION:
1" NOMINAL DIA., ANSI B1.20.1, MALE NATIONAL PIPE THREAD (MNPT)
8. VENT CONNECTION:
 1.5" NOMINAL DIA., ANSI B1.20.1, MALE NATIONAL PIPE THREAD (MNPT)
9. HYDROTESTING MAY BE PERFORMED IN ACCORDANCE WITH MAZZEI SOP NO. 6090


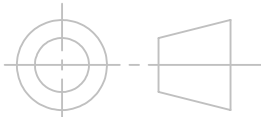
REVISIONS			
REV.	DESCRIPTION	DATE	APPROVED
NC	RELEASED FOR SUBMITTAL.	3/24/2015	J. BENNETT
A	ADDED THIRD PAGE -UPDATED DIMENSION FORMAT	3/7/2016	J. BENNETT
B	CORRECTIONS TO VENT SIZING, AND SHEET 3.	4/27/2016	J. BENNETT
C	UPDATED NOTES PER JB - REMOVED 1.5" INLET/OUTLET OPTION PER NOTE 7	10/6/2021	J. BENNETT

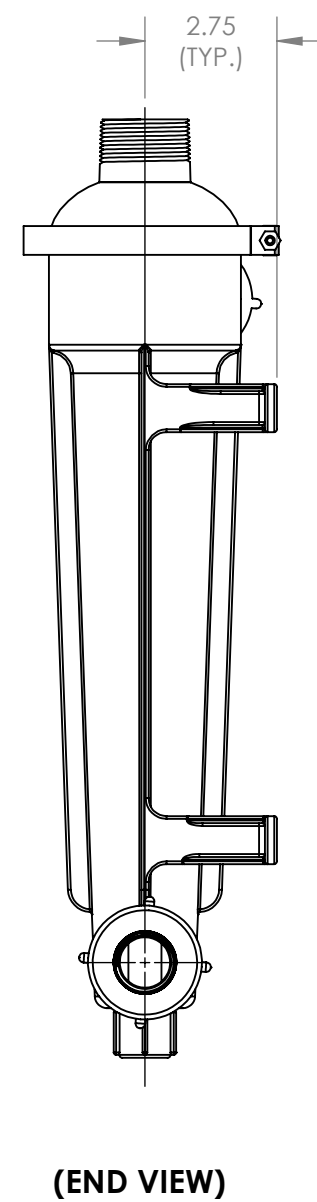
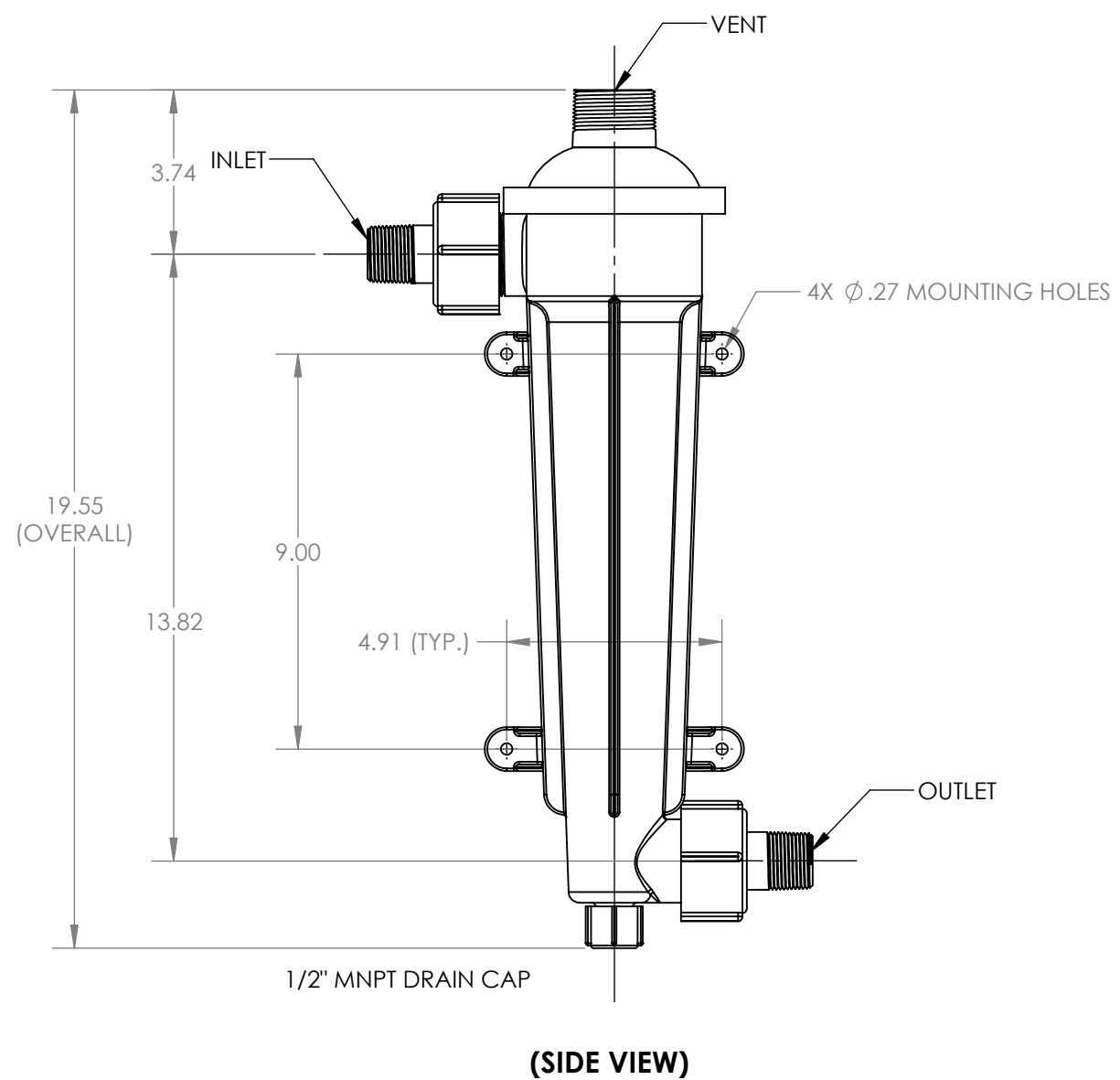
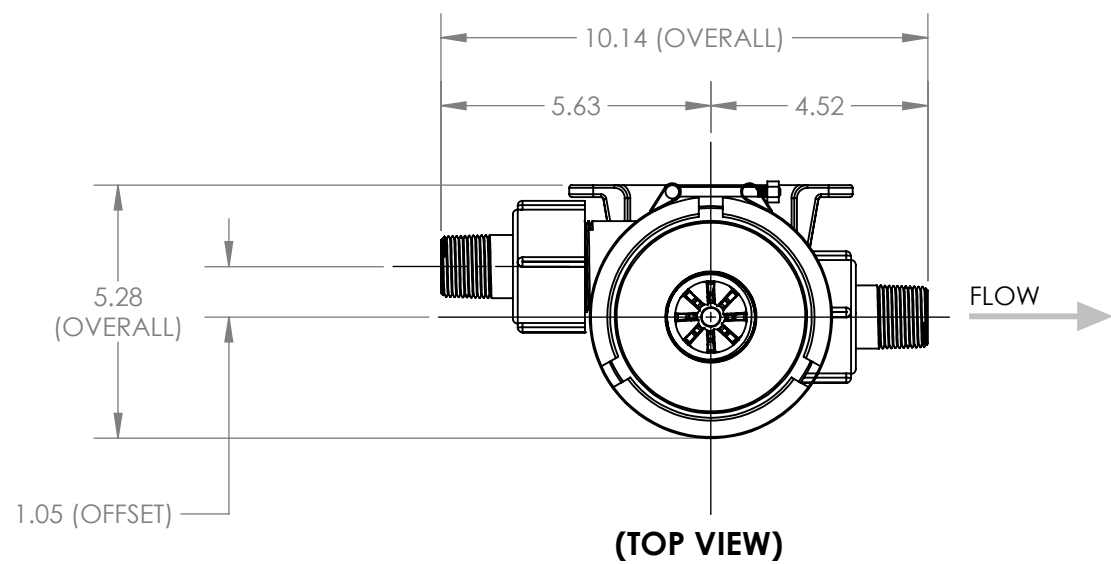
APPROVED
RELEASED FOR SUBMITTAL




(ISOMETRIC VIEW)
(FOR REFERENCE ONLY)

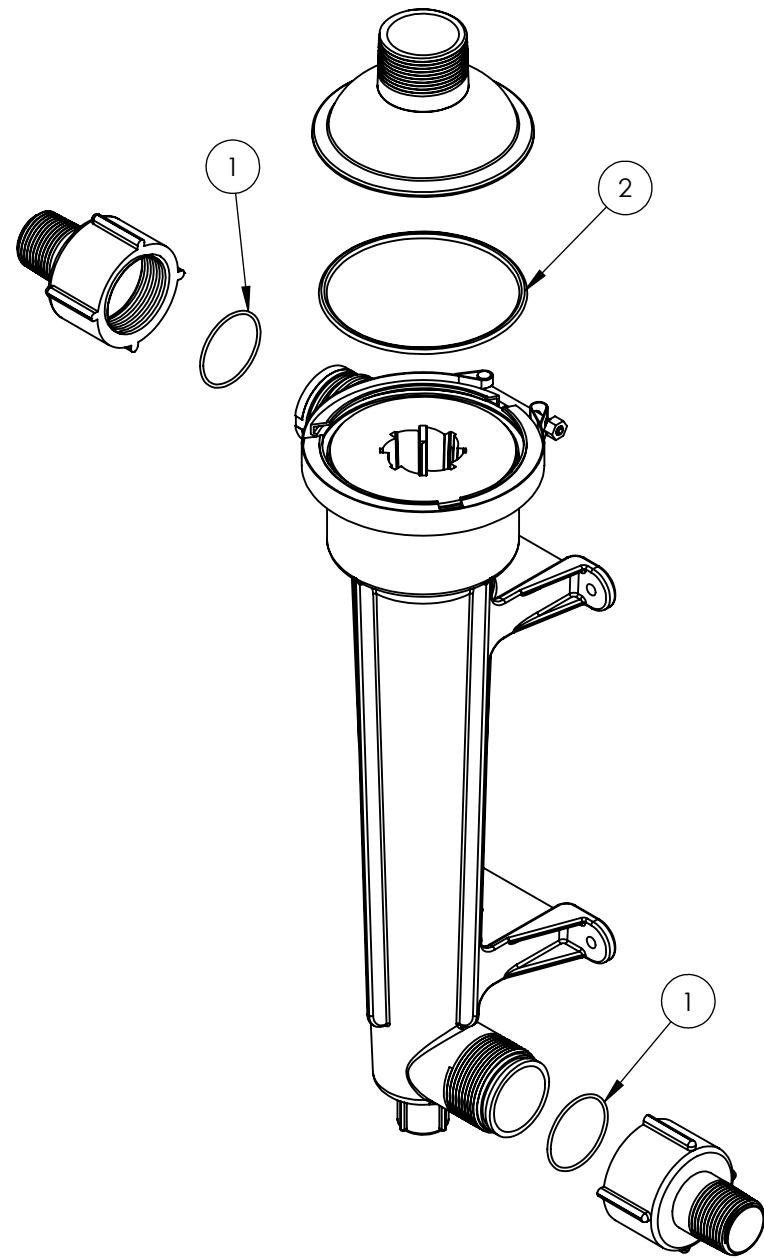
SUBMITTAL DRAWING

SUBMITTAL NOTICE	CONFIDENTIALITY NOTICE	UNLESS OTHERWISE SPECIFIED DIM ARE IN INCHES TOL ON ANGLE ± .50° 2 PL ± .06 3 PL ± .030 INTERPRET DIM AND TOL PER ASME Y14.5M-1994	APPROVALS	DATE		MAZZEI INJECTOR CO., LLC 500 ROOSTER DRIVE BAKERSFIELD, CA 93307 PHONE: (661) 363-6500 FAX: (661)363-7500 WWW.MAZZEI.NET
ANY RECOMMENDATIONS FOR PRODUCT AND/OR SYSTEM DESIGN, WHETHER CONTAINED IN A DOCUMENT, WITHIN THIS DRAWING, COMMUNICATED BY ELECTRONIC MEANS OR GIVEN VERBALLY, ARE INTENDED SOLELY AS GUIDELINES TO ACTUAL SYSTEM DESIGN. SAID RECOMMENDATIONS ARE BASED UPON INFORMATION SUPPLIED BY OTHERS, THE ACCURACY OF WHICH IS BEYOND VERIFICATION BY MAZZEI INJECTOR CO. LLC. THEREFORE MAZZEI CANNOT AND DOES NOT WARRANT THE SUITABILITY OF ITS PRODUCTS FOR A PARTICULAR SERVICE NOR THE PERFORMANCE OF ANY SYSTEM CONTAINING COMPONENTS MADE OR SOLD BY MAZZEI.	THE INFORMATION CONTAINED IN THIS DRAWING IS THE SOLE PROPERTY OF MAZZEI INJECTOR COMPANY LLC. ANY REPRODUCTION IN PART OR AS A WHOLE WITHOUT THE WRITTEN PERMISSION OF MAZZEI IS STRICTLY PROHIBITED.	THIRD ANGLE PROJECTION	DRAWN: T. JOHNS	3/19/2015	DESCRIPTION: DEGAS SEPERATOR; DS150-PVDF	
			CHECKED: J. PEREZ	3/19/2015		
	DRAWING MAY NOT BE PRINTED FULL SIZE DO NOT SCALE		APPROVED: J. BENNETT	3/24/2015	SIZE: B	JOB NO.: N/A
			QA: -		DRAWING NUMBER: DS-150-PVDF-SUB	REV: C
			CUSTOMER APPROVAL: -		SCALE: NONE	WEIGHT: 4.5 LBS
			CUSTOMER: N/A		SHEET: 1 OF 3	



APPROVED
RELEASED FOR SUBMITTAL

		MAZZEI INJECTOR CO., LLC	
		500 ROOSTER DRIVE BAKERSFIELD, CA 93307	
		PHONE: (661) 363-6500 FAX: (661)363-7500	
		WWW.MAZZEI.NET	
DESCRIPTION: DEGAS SEPERATOR; DS150-PVDF			
SIZE:	JOB NO.:	DRAWING NUMBER:	REV:
B	N/A	DS-150-PVDF-SUB	C
SCALE:	WEIGHT:	SHEET:	
1:4	4.5 LBS	2 OF 3	



(ISOMETRIC VIEW)
(FOR REFERENCE ONLY)

APPROVED
RELEASED FOR SUBMITTAL

ITEM NO.	TITLE	DESCRIPTION	QTY.
1	O-RING	O-RING; F7001-200-124	2
2	O-RING	O-RING; F7001-200-242	1

	<p>MAZZEI INJECTOR CO., LLC 500 ROOSTER DRIVE BAKERSFIELD, CA 93307 PHONE: (661) 363-6500 FAX: (661)363-7500 WWW.MAZZEI.NET</p>
---	---

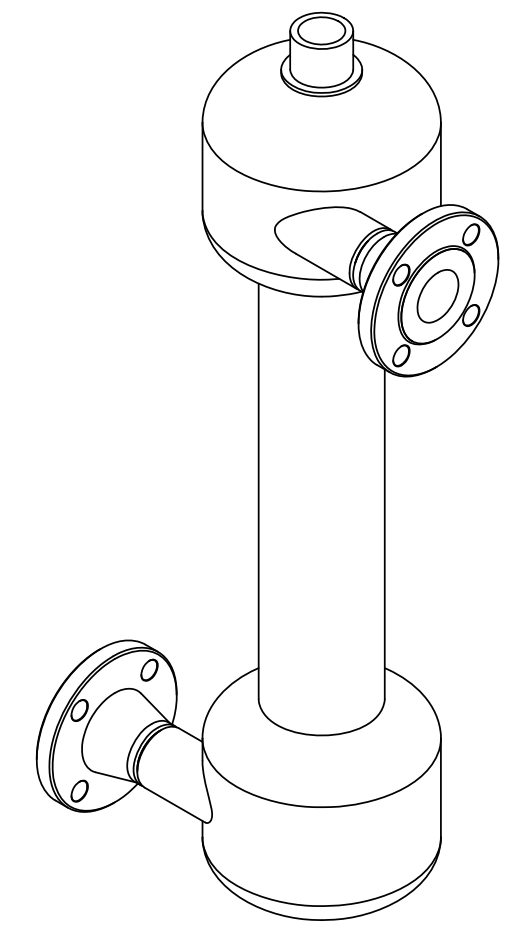
DESCRIPTION:
DEGAS SEPARATOR; DS-150-PVDF

SIZE: B	JOB NO.: N/A	DRAWING NUMBER: DS-150-PVDF-SUB	REV.: C
SCALE: 1:4	WEIGHT: 4.5 LBS	SHEET: 3 OF 3	

NOTES:


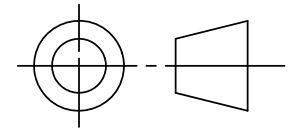
1. MATERIAL OF CONSTRUCTION: TYPE 316L, STAINLESS STEEL
2. MTR/HEAT NUMBERS ARE PROVIDED FOR ALL MATERIALS AND SHALL MEET APPLICABLE MATERIAL SPECIFICATIONS.
3. FLANGE BOLT HOLES TO STRADDLE COMMON CENTERLINES, UNLESS OTHERWISE NOTED.
4. MAXIMUM PRESSURE: 150 PSI (10.3 BAR)
5. MAXIMUM OPERATING TEMPERATURE: 180°F (82.2°C)
6. PRESSURE LOSS: 1 - 4 PSID (.07 - .28 BAR) AT RATED FLOW
7. RATED FLOW: 35 - 70 GPM (8 - 16 M³/HR)
8. EMPTY WEIGHT (DRY): APPROXIMATELY 43 LBS. (21 KG)
9. WATER VOLUME: 1.9 GALLONS (7.2 LITERS)
10. INLET/OUTLET CONNECTION:
1.50" DIA., ANSI B16.5, CLASS 150, SCHED. 40, RAISED FACE WELD NECK FLANGE
11. VENT CONNECTION:
1.00" DIA., ANSI B1.20.1, FEMALE NATIONAL PIPE THREAD (FNPT)
12. FINISH: GLASS BLAST EXTERIOR ONLY
13. WELDING JOINTS TO BE COMPLETE PENETRATION, WHERE POSSIBLE.
14. DYE PENETRATE TESTING IN ACCORDANCE WITH B31.3 NORMAL SERVICE RECOMMENDATIONS WILL BE PERFORMED ON A MINIMUM OF 20% OF LINEAR LENGTH OF WELDS; OR HYDROSTATIC TESTING WILL BE PERFORMED AS PART OF MAZZEI'S NON-DESTRUCTIVE TESTING PROCEDURE.
15. CLEANED FOR PASSIVATION PER ASTM A380 GUIDELINES.
16. PASSIVATED PER ASTM A967 SPECIFICATION.
17. WELD MAP, NON DESTRUCTIVE TESTING (NDT), CLEANING AND INSPECTION REPORTS TO BE PROVIDED BY MAZZEI.
18. MAZZEI RECOMMENDS INSTALLING THE DEGAS SEPARATOR PER THE O&M MANUAL GUIDELINES.

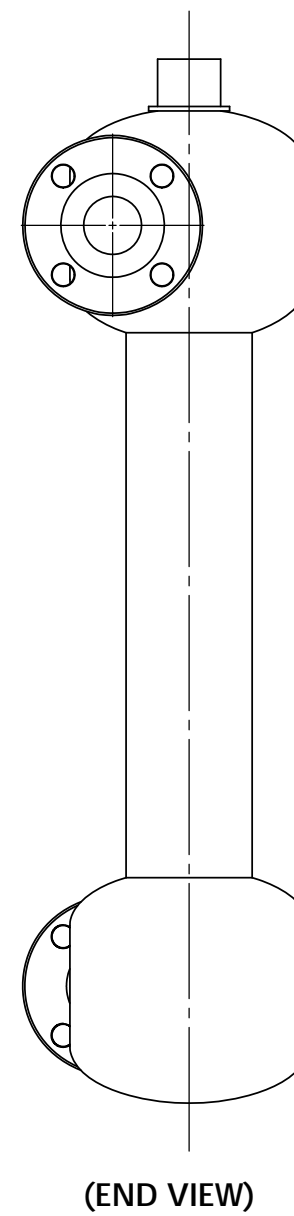
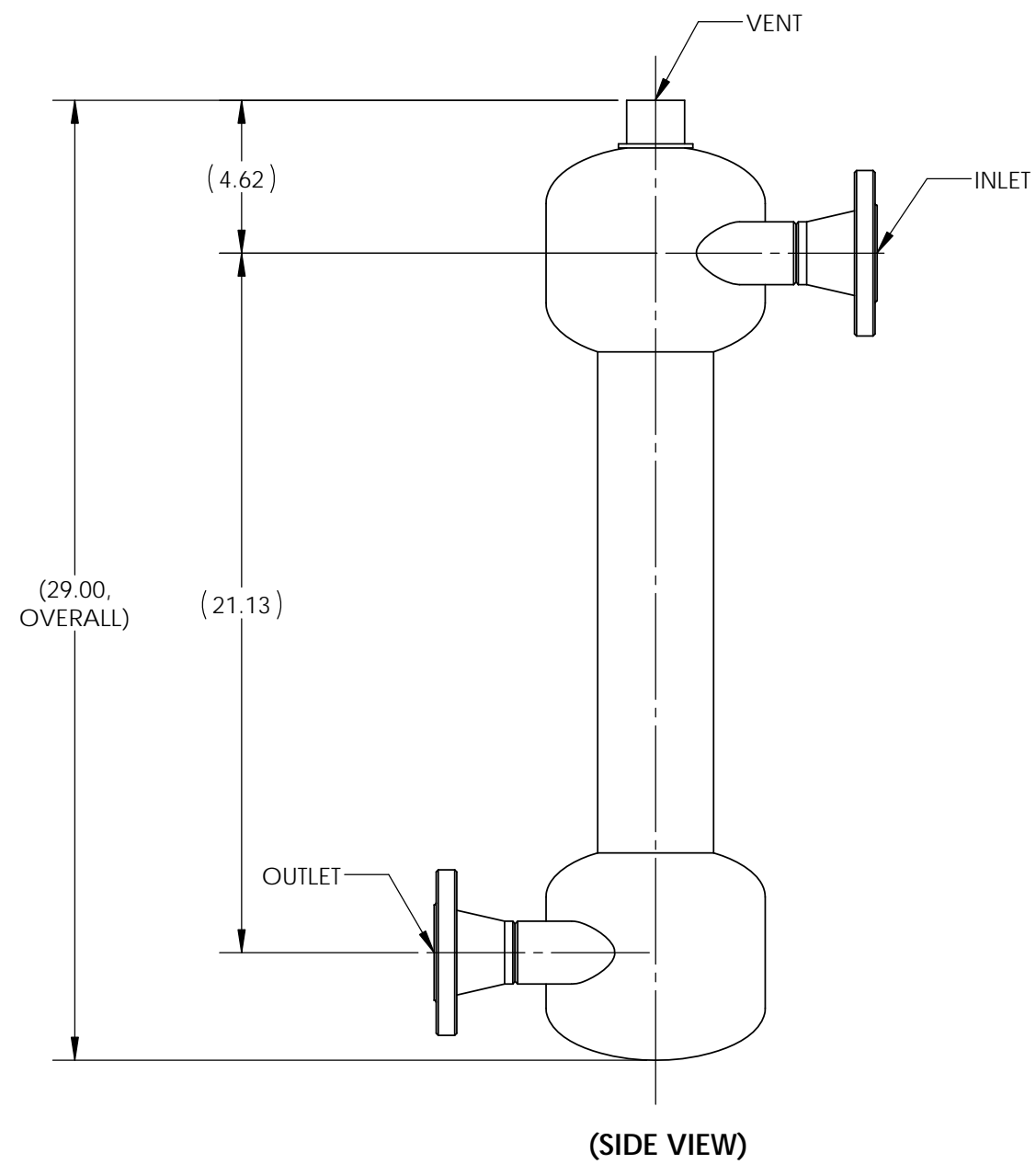
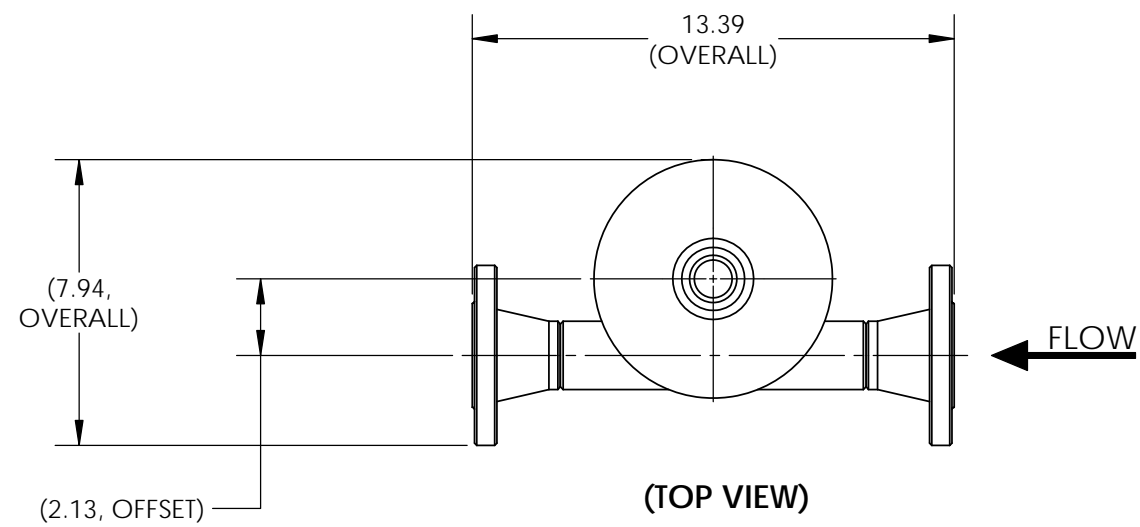
REVISIONS			
REV.	DESCRIPTION	DATE	APPROVED
NC	RELEASED FOR SUBMITTAL.	8/16/2013	P. BANKOWSKI
A	CHANGED MAX PRESSURE NOTE.	8/16/2013	P. BANKOWSKI




(ISOMETRIC VIEW)
(FOR REFERENCE ONLY)

SUBMITTAL DRAWING

SUBMITTAL NOTICE	CONFIDENTIALITY NOTICE	UNLESS OTHERWISE SPECIFIED DIM ARE IN INCHES TOL ON ANGLE ± .1/2° 1 PL ± .125 2 PL ± .060 3 PL ± .030 INTERPRET DIM AND TOL PER ASME Y14.5M-1994	APPROVALS	DATE	 MAZZEI INJECTOR CO., LLC 500 ROOSTER DRIVE BAKERSFIELD, CA 93307 PHONE: (661) 363-6500 FAX: (661)363-7500 WWW.MAZZEI.NET		
ANY RECOMMENDATIONS FOR PRODUCT AND/OR SYSTEM DESIGN, WHETHER CONTAINED IN A DOCUMENT, WITHIN THIS DRAWING, COMMUNICATED BY ELECTRONIC MEANS OR GIVEN VERBALLY, ARE INTENDED SOLELY AS GUIDELINES TO ACTUAL SYSTEM DESIGN. SAID RECOMMENDATIONS ARE BASED UPON INFORMATION SUPPLIED BY OTHERS, THE ACCURACY OF WHICH IS BEYOND VERIFICATION BY MAZZEI INJECTOR CO. LLC. THEREFOR MAZZEI CANNOT AND DOES NOT WARRANT THE SUITABILITY OF ITS PRODUCTS FOR A PARTICULAR SERVICE NOR THE PERFORMANCE OF ANY SYSTEM CONTAINING COMPONENTS MADE OR SOLD BY MAZZEI.	THE INFORMATION CONTAINED IN THIS DRAWING IS THE SOLE PROPERTY OF MAZZEI INJECTOR COMPANY LLC. ANY REPRODUCTION IN PART OR AS A WHOLE WITHOUT THE WRITTEN PERMISSION OF MAZZEI IS STRICTLY PROHIBITED.	<p style="text-align: center;">THIRD ANGLE PROJECTION</p> 	DRAWN: T. JOHNS	8/21/2013		TITLE: DEGAS SEPARATOR; DSF01510AAF000	
			CHECKED: J. MILLAN	8/16/2013			
APPROVED: P. BANKOWSKI	8/16/2013	QA: -	CUSTOMER APPROVAL: -	CUSTOMER: NA	SIZE: B		
DRAWING MAY NOT BE PRINTED FULL SIZE DO NOT SCALE					JOB NO.: NA	DRAWING NUMBER: DSF01510AAF000-SUB	REV.: A
					SCALE: NONE	WEIGHT: 43 LBS	SHEET: 1 OF 2

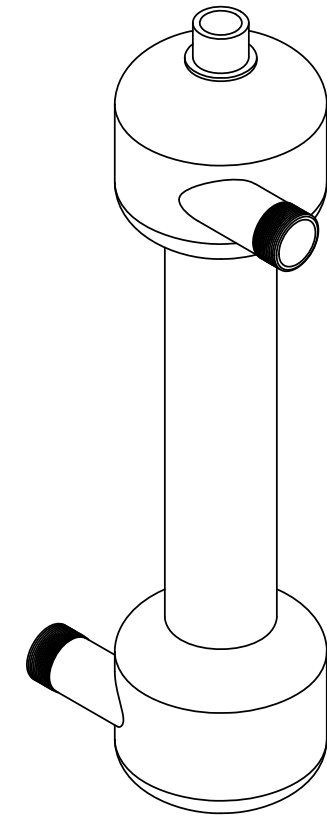


		MAZZEI INJECTOR CO., LLC 500 ROOSTER DRIVE BAKERSFIELD, CA 93307 PHONE: (661) 363-6500 FAX: (661)363-7500 WWW.MAZZEI.NET	
		TITLE: DEGAS SEPARATOR; DSF01510AAF000	
SIZE:	JOB NO.:	DRAWING NUMBER:	REV.:
B	NA	DSF01510AAF000-SUB	A
SCALE:	WEIGHT:	SHEET:	
3:16	43 LBS	2 OF 2	

NOTES:


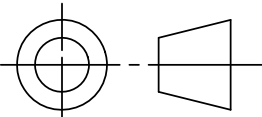
1. MATERIAL OF CONSTRUCTION: TYPE 316L, STAINLESS STEEL
2. MTR/HEAT NUMBERS ARE PROVIDED FOR ALL MATERIALS AND SHALL MEET APPLICABLE MATERIAL SPECIFICATIONS.
3. MAXIMUM PRESSURE: 80 PSI (5.5 BAR)
4. MAXIMUM OPERATING TEMPERATURE: 180 °F (82.2 °C)
5. PRESSURE LOSS: 1 - 4 PSID (.07 - .28 BAR) AT RATED FLOW
6. RATED FLOW: 35 - 70 GPM (8 - 16 M³/HR)
7. EMPTY WEIGHT (DRY): APPROXIMATELY 35 LBS. (16 KG)
8. WATER VOLUME: 1.9 GALLONS (7.2 LITERS)
9. INLET/OUTLET CONNECTION:
1.50" DIA., ANSI B1.20.1, MALE NATIONAL PIPE THREAD (MNPT)
10. VENT CONNECTION:
1.00" DIA., ANSI B1.20.1, FEMALE NATIONAL PIPE THREAD (FNPT)
11. FINISH: GLASS BLAST EXTERIOR ONLY
12. HYDROSTATICALLY TESTED TO 80 PSIG (5.5 BAR)
13. WELDING JOINTS TO BE COMPLETE PENETRATION, WHERE POSSIBLE.
14. DYE PENETRANT TESTING IN ACCORDANCE WITH ASME B31.3 NORMAL SERVICE RECOMMENDATIONS WILL BE PERFORMED ON A MINIMUM OF 20% OF LINEAR LENGTH OF WELDS; OR HYDROSTATIC TESTING WILL BE PERFORMED AS PART OF MAZZEI'S NON-DESTRUCTIVE TESTING PROCEDURE.
15. CLEANED FOR PASSIVATION PER ASTM A380 GUIDELINES.
16. PASSIVATED PER ASTM A967 SPECIFICATION.
17. WELD MAP, NON DESTRUCTIVE TESTING (NDT), CLEANING AND INSPECTION REPORTS TO BE PROVIDED BY MAZZEI.
18. MAZZEI RECOMMENDS INSTALLING THE DEGAS SEPARATOR PER THE O&M MANUAL GUIDELINES.

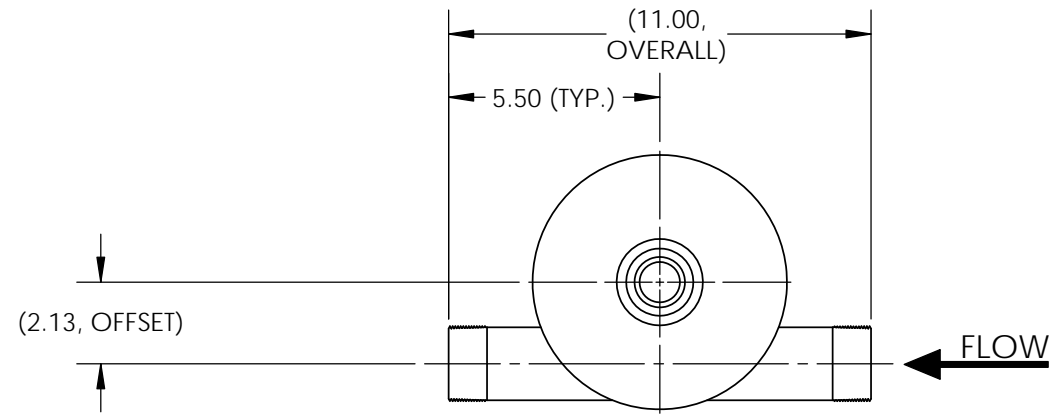
REVISIONS			
REV.	DESCRIPTION	DATE	APPROVED
NC	RELEASED FOR SUBMITTAL.	11/28/2012	P. BANKOWSKI



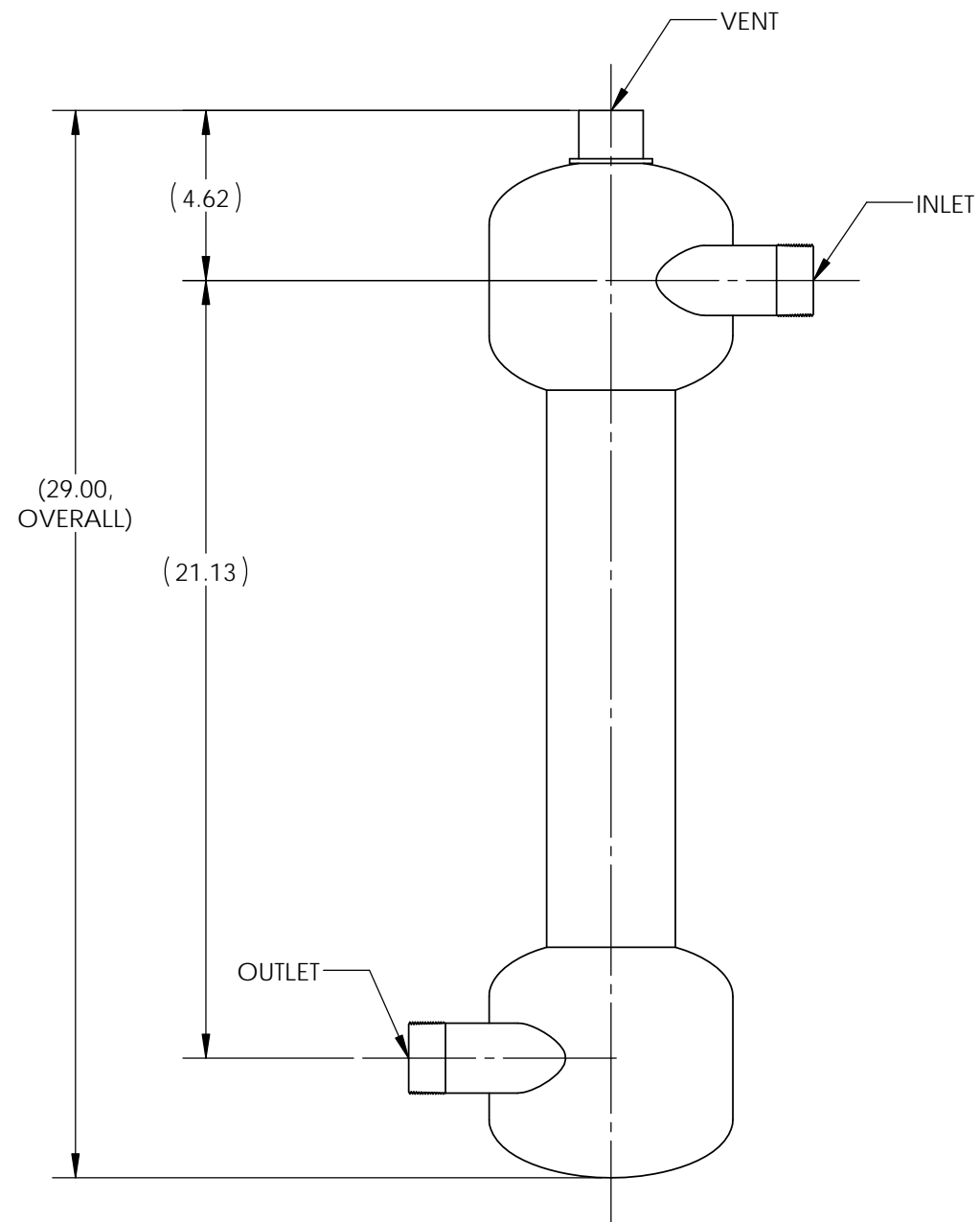
(ISOMETRIC VIEW)
(FOR REFERENCE ONLY)

SUBMITTAL DRAWING

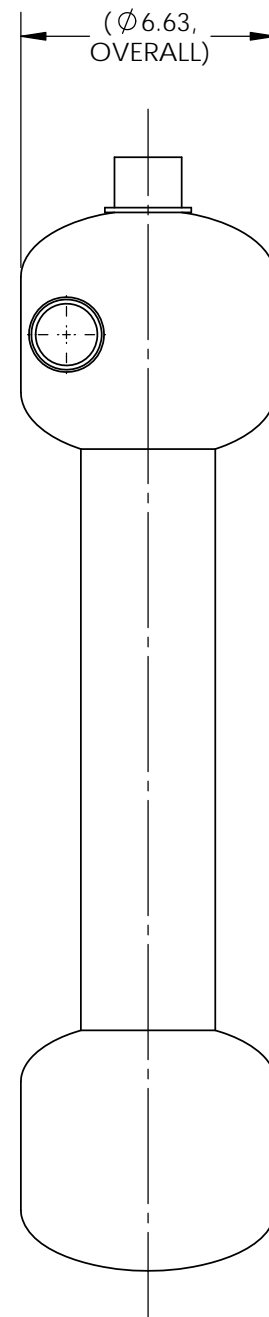
SUBMITTAL NOTICE	CONFIDENTIALITY NOTICE	UNLESS OTHERWISE SPECIFIED DIM ARE IN INCHES TOL ON ANGLE ± .1/2° 1 PL ± .125 2 PL ± .060 3 PL ± .030 INTERPRET DIM AND TOL PER ASME Y14.5M-1994	APPROVALS	DATE	 MAZZEI INJECTOR CO., LLC 500 ROOSTER DRIVE BAKERSFIELD, CA 93307 PHONE: (661) 363-6500 FAX: (661)363-7500 WWW.MAZZEI.NET								
ANY RECOMMENDATIONS FOR PRODUCT AND/OR SYSTEM DESIGN, WHETHER CONTAINED IN A DOCUMENT, WITHIN THIS DRAWING, COMMUNICATED BY ELECTRONIC MEANS OR GIVEN VERBALLY, ARE INTENDED SOLELY AS GUIDELINES TO ACTUAL SYSTEM DESIGN. SAID RECOMMENDATIONS ARE BASED UPON INFORMATION SUPPLIED BY OTHERS, THE ACCURACY OF WHICH IS BEYOND VERIFICATION BY MAZZEI INJECTOR CO. LLC. THEREFOR MAZZEI CANNOT AND DOES NOT WARRANT THE SUITABILITY OF ITS PRODUCTS FOR A PARTICULAR SERVICE NOR THE PERFORMANCE OF ANY SYSTEM CONTAINING COMPONENTS MADE OR SOLD BY MAZZEI.	THE INFORMATION CONTAINED IN THIS DRAWING IS THE SOLE PROPERTY OF MAZZEI INJECTOR COMPANY LLC. ANY REPRODUCTION IN PART OR AS A WHOLE WITHOUT THE WRITTEN PERMISSION OF MAZZEI IS STRICTLY PROHIBITED.	THIRD ANGLE PROJECTION 	DRAWN: T. JOHNS	11/28/2012		DEGAS SEPARATOR; DSF01510ACF000							
			CHECKED: P. BANKOWSKI	11/28/2012									
			APPROVED: P. BANKOWSKI	11/28/2012									
			QA: -										
			CUSTOMER APPROVAL: -										
			CUSTOMER: NA										
	DRAWING MAY NOT BE PRINTED FULL SIZE DO NOT SCALE				<table border="1"> <tr> <td>SIZE: B</td> <td>JOB NO.: NA</td> <td>DRAWING NUMBER: DSF01510ACF000-SUB</td> <td>REV.: NC</td> </tr> <tr> <td>SCALE: NONE</td> <td>WEIGHT: 35 LBS</td> <td>SHEET: 1 OF 2</td> <td></td> </tr> </table>	SIZE: B	JOB NO.: NA	DRAWING NUMBER: DSF01510ACF000-SUB	REV.: NC	SCALE: NONE	WEIGHT: 35 LBS	SHEET: 1 OF 2	
SIZE: B	JOB NO.: NA	DRAWING NUMBER: DSF01510ACF000-SUB	REV.: NC										
SCALE: NONE	WEIGHT: 35 LBS	SHEET: 1 OF 2											




(TOP VIEW)



(SIDE VIEW)



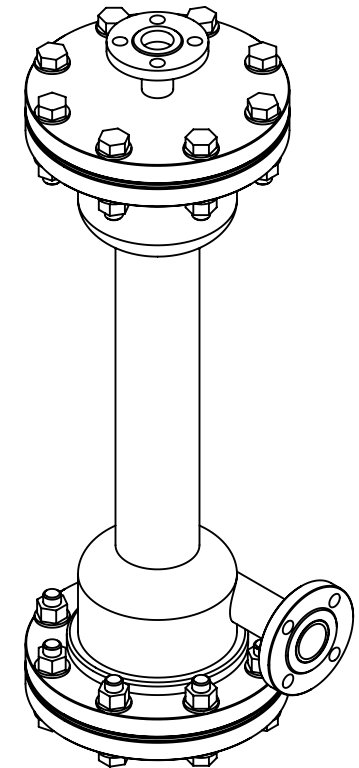
(END VIEW)

		MAZZEI INJECTOR CO., LLC 500 ROOSTER DRIVE BAKERSFIELD, CA 93307 PHONE: (661) 363-6500 FAX: (661)363-7500 WWW.MAZZEI.NET	
		TITLE: DEGAS SEPARATOR; DSF01510ACF000	
SIZE:	JOB NO.:	DRAWING NUMBER:	REV:
B	NA	DSF01510ACF000-SUB	NC
SCALE:	WEIGHT:	SHEET:	
1:5	35 LBS	2 OF 2	

NOTES:


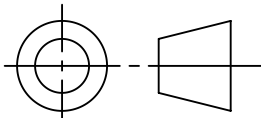
1. MATERIAL OF CONSTRUCTION: TYPE A-53 GRADE B, CARBON STEEL
2. MTR/HEAT NUMBERS ARE PROVIDED AND SHALL MEET APPLICABLE MATERIAL SPECIFICATIONS.
3. FLANGE BOLTS HOLES TO STRADDLE COMMON CENTERLINES, UNLESS OTHERWISE NOTED.
4. MAXIMUM PRESSURE: 145 PSI (10 BAR)
5. MAXIMUM OPERATING TEMPERATURE: 140°F (60°C) AT MAX. PRESSURE
6. PRESSURE LOSS: 1 - 4 PSID (.07-.28 BAR) AT RATED FLOW
7. RATED FLOW: 35-70 GPM (8-16 M³/HR)
8. EMPTY WEIGHT (DRY): APPROXIMATELY 147 LBS. (67 KG)
9. INLET/OUTLET CONNECTION:
1.5" NOMINAL DIA., ANSI B16.5, CLASS 150, SCHED. 40, RAISED FACE - SLIP ON FLANGE
10. SUCTION PORT CONNECTION:
1.5" NOMINAL DIA., ANSI B16.5, CLASS 150, SCHED. 40, RAISED FACE - SLIP ON FLANGE
11. WELDING JOINTS TO BE COMPLETE JOINT PENETRATION, WHERE POSSIBLE.
12. HYDROTESTING MAY BE PERFORMED IN ACCORDANCE WITH MAZZEI SOP NO. 6090.
13. DYE PENETRANT TESTING MAY BE PERFORMED IN ACCORDANCE WITH MAZZEI SOP NO. 6095.
14. FINISH:
EXTERIOR POWDERCOATED LAKOS BLUE
INTERIOR SCOTCHKOTE 134
15. WELD MAP, NON DESTRUCTIVE TESTING (NDT) AND INSPECTION REPORTS TO BE PROVIDED BY MAZZEI.

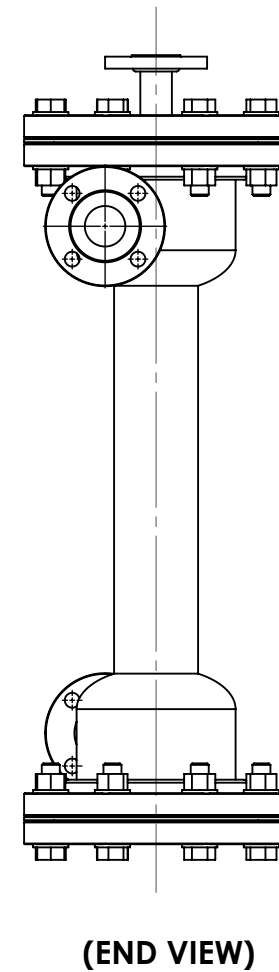
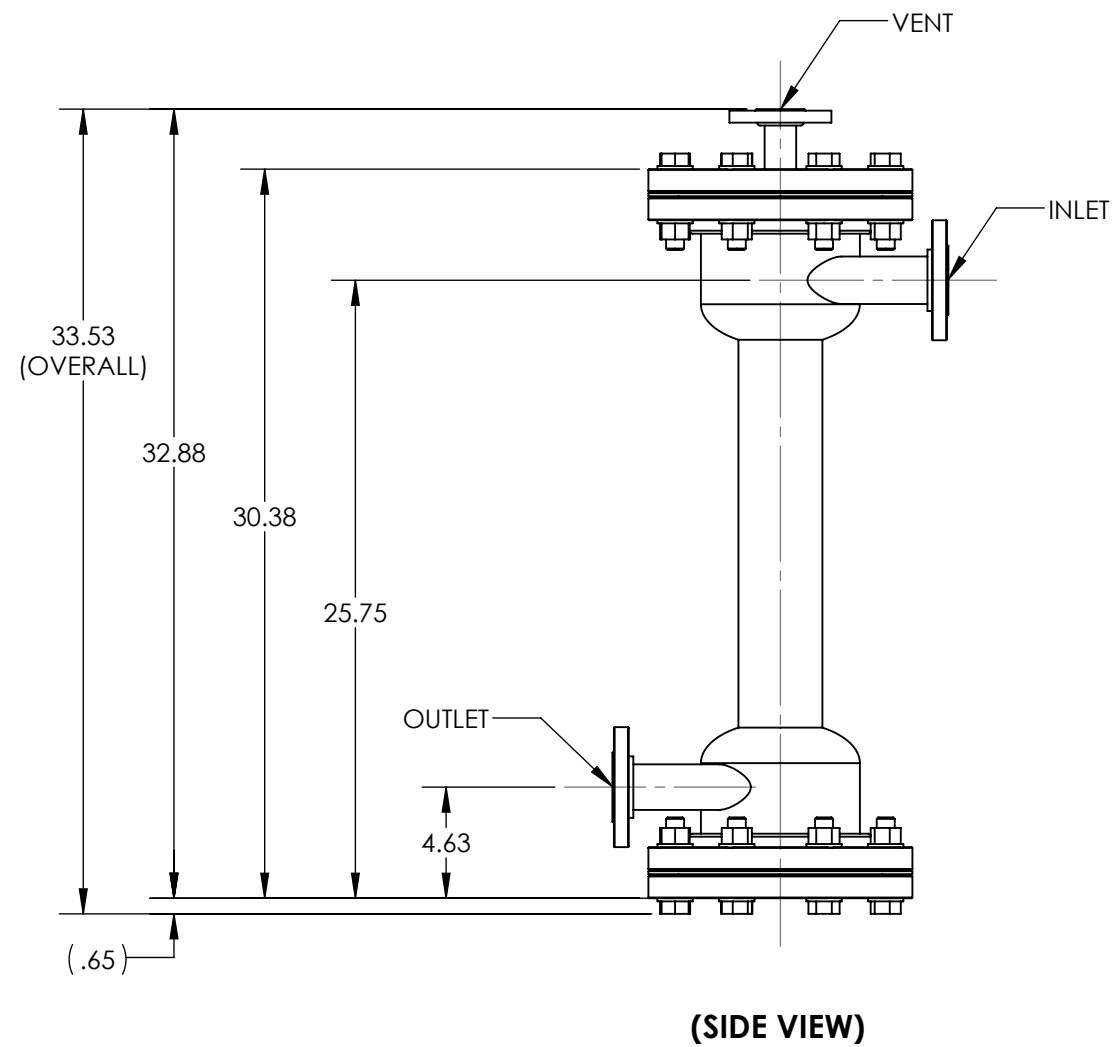
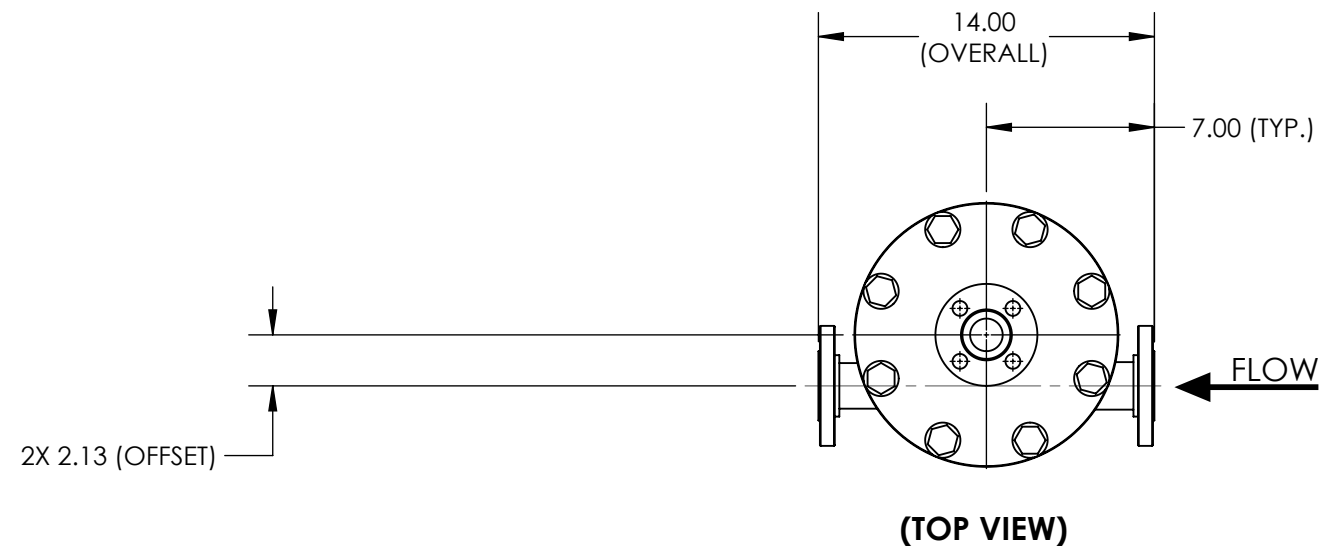
REVISIONS			
REV.	DESCRIPTION	DATE	APPROVED
NC	RELEASED FOR SUBMITTAL.	7/17/2012	J. BENNETT
A	UPDATED DRAWING NOTES & FORMAT.	4/22/2015	J. BENNETT




(ISOMETRIC VIEW)
(FOR REFERENCE ONLY)

SUBMITTAL DRAWING

SUBMITTAL NOTICE		CONFIDENTIALITY NOTICE		UNLESS OTHERWISE SPECIFIED DIM ARE IN INCHES TOL ON ANGLE ± .50° ALL DIMS ± 1 INTERPRET DIM AND TOL PER ASME Y14.5M-1994		APPROVALS		DATE		 MAZZEI INJECTOR CO., LLC 500 ROOSTER DRIVE BAKERSFIELD, CA 93307 PHONE: (661) 363-6500 FAX: (661)363-7500 WWW.MAZZEI.NET					
ANY RECOMMENDATIONS FOR PRODUCT AND/OR SYSTEM DESIGN, WHETHER CONTAINED IN A DOCUMENT, WITHIN THIS DRAWING, COMMUNICATED BY ELECTRONIC MEANS OR GIVEN VERBALLY, ARE INTENDED SOLELY AS GUIDELINES TO ACTUAL SYSTEM DESIGN. SAID RECOMMENDATIONS ARE BASED UPON INFORMATION SUPPLIED BY OTHERS, THE ACCURACY OF WHICH IS BEYOND VERIFICATION BY MAZZEI INJECTOR CO. LLC. THEREFORE MAZZEI CANNOT AND DOES NOT WARRANT THE SUITABILITY OF ITS PRODUCTS FOR A PARTICULAR SERVICE NOR THE PERFORMANCE OF ANY SYSTEM CONTAINING COMPONENTS MADE OR SOLD BY MAZZEI.		THE INFORMATION CONTAINED IN THIS DRAWING IS THE SOLE PROPERTY OF MAZZEI INJECTOR COMPANY LLC. ANY REPRODUCTION IN PART OR AS A WHOLE WITHOUT THE WRITTEN PERMISSION OF MAZZEI IS STRICTLY PROHIBITED.		THIRD ANGLE PROJECTION 		DRAWN: T. JOHNS		7/16/2012				DESCRIPTION: DEGAS SEPARATOR; DSF01510EAAE00			
DRAWING MAY NOT BE PRINTED FULL SIZE DO NOT SCALE						CHECKED: J. BENNETT		7/17/2012		APPROVED: J. BENNETT				7/17/2012	
				CUSTOMER APPROVAL: -		CUSTOMER: N/A		SIZE: B		JOB NO.: N/A				DRAWING NUMBER: DSF01510EAAE00-SUB	
						QA: -				SCALE: NONE		WEIGHT: 147 LBS		SHEET: 1 OF 2	



		MAZZEI INJECTOR CO., LLC 500 ROOSTER DRIVE BAKERSFIELD, CA 93307 PHONE: (661) 363-6500 FAX: (661)363-7500 WWW.MAZZEI.NET	
		DESCRIPTION: DEGAS SEPARATOR; DSF01510EAAE00	
SIZE:	JOB NO.:	DRAWING NUMBER:	REV:
B	N/A	DSF01510EAAE00-SUB	A
SCALE:	WEIGHT:	SHEET:	
1:8	147 LBS	2 OF 2	