

CONSTRUCTION

Available Material	Polypropylene (PP) - <i>BLACK</i>	Polyvinylidene Fluoride (PVDF) - <i>BLACK & NATURAL</i>
Unit Weight (with box)	2.44 lbs	4.31 lbs
Inlet & Outlet Connections	3" male NPT	
Suction Port Connections	1.5" male NPT each port	
Maximum Operating Temperature	212° F	
Maximum Operating Pressure (at 68° F)	120 psi	

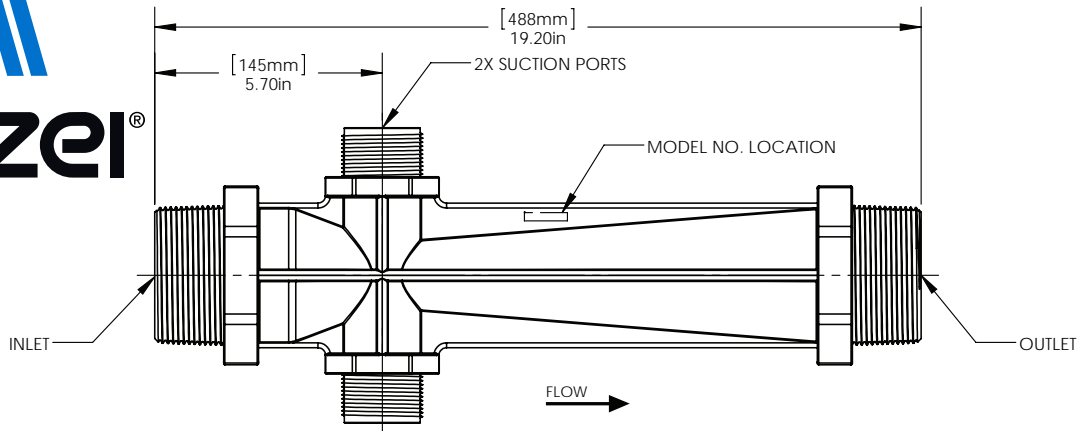
ACCESSORIES

PART NUMBER	DESCRIPTION
SPSA-1.5-A	Suction port screen assembly with check valve (1.5" female NPT)
CAP1.5 PVDF	Suction port cap for Model 3090

CHECK VALVE

INJECTOR MODEL	CHECK VALVE
3090 PP <i>BLACK</i>	NO INTERNAL CHECK VALVE
3090 PVDF <i>BLACK</i>	NO INTERNAL CHECK VALVE
3090 N-PVDF <i>NATURAL</i>	NO INTERNAL CHECK VALVE





CONSTRUCTION

Available Material	Polypropylene (PP) - <i>GREEN</i>	Polyvinylidene Fluoride (PVDF) - <i>BLUE</i>
Unit Weight (with box)	1.10 kg	1.95 kg
Inlet & Outlet Connections	80 mm male BSPT	
Suction Port Connections	40 mm male BSPT each port	
Maximum Operating Temperature	100° C	
Maximum Operating Pressure (at 20° C)	8.44 bar	

REPLACEMENT PARTS

INJECTOR MODEL	CHECK VALVE
ISO GRPP 3090 <i>GREEN</i>	NO INTERNAL CHECK VALVE
ISO 3090 PVDF <i>BLUE</i>	NO INTERNAL CHECK VALVE

