

Injector Data Sheet
 2083X PP, 2083-X PVDF, & 2083-X N-PVDF

CONSTRUCTION

Available Material	Polypropylene (PP) - BLACK	Polyvinylidene Fluoride (PVDF) - BLACK
Unit Weight (with box)	0.93 lbs	1.42 lbs
Inlet & Outlet Connections	2" male NPT	
Suction Port Connection	1.25" male NPT	
Maximum Operating Temperature	212° F	
Maximum Operating Pressure (at 68° F)	120 psi	

ACCESSORIES

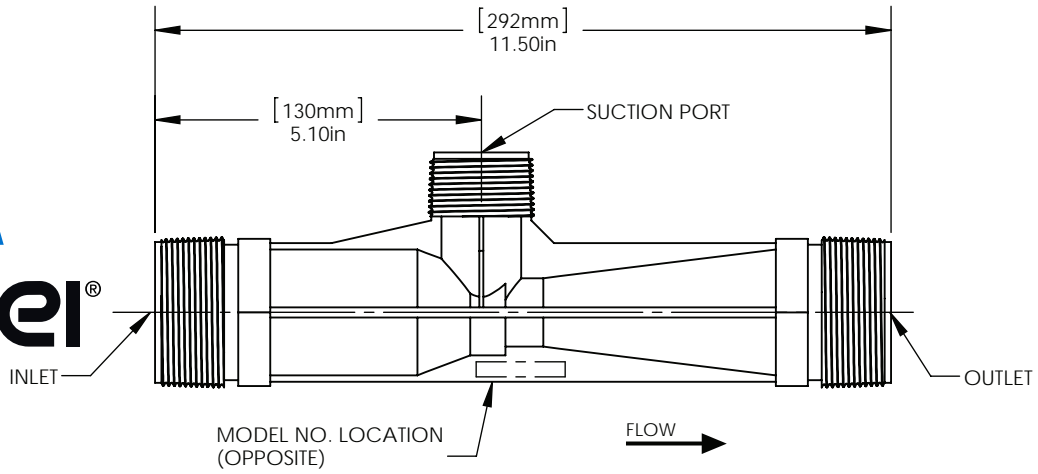
PART NUMBER	DESCRIPTION
K-282	Suction line kit
KR-282	Economy suction line kit
K-282-A	Bypass kit (includes suction line kit K-282)
S-87	PVC Strainer (1" hose barbed connection)
SPSA-1.25-A	Suction Port Screen Assembly with Check Valve (1.25" female NPT connection)

CHECK VALVES

(Injectors Do Not Come With Internal Check Valves)

INJECTOR MODEL	CHECK VALVE
2083X PP BLACK	C75-CVA (PVC); C86 CLEAR (PVC - replacement for valve in K-282 Kit)
2083-X PVDF BLACK	C75-CVA (PVC); C86 CLEAR (PVC - replacement for valve in K-282 Kit)
2083-X N-PVDF NATURAL	C75-CVA (PVC); C86 CLEAR (PVC - replacement for valve in K-282 Kit)

Model 2083-X



CONSTRUCTION

Available Material	Polyvinylidene Fluoride (PVDF) - <i>BLUE</i>
Unit Weight (with box)	0.65 kg
Inlet & Outlet Connections	50 mm male BSPT
Suction Port Connection	32 mm male BSPT
Maximum Operating Temperature	100° C
Maximum Operating Pressure (at 20° C)	8.44 bar

ACCESSORIES

PART NUMBER	DESCRIPTION
S-87	PVC Strainer (1" hose barbed connection)

CHECK VALVES

(Injectors Do Not Come With Internal Check Valves)

INJECTOR MODEL	CHECK VALVE
ISO2083X PVDF <i>BLUE</i>	C75R-BSPT (PVC)