

CONSTRUCTION

Available Material	Polypropylene (PP) - BLACK	Polyvinylidene Fluoride (PVDF) - BLACK & NATURAL	Polyvinylidene Fluoride (PVDF) NATURAL	
Unit Weight (with box)	0.88 lbs	1.35 lbs	1.35 lbs	1.35 lbs
Inlet & Outlet Connections	2" male NPT	2" male NPT	2" Tri-clamp	2" Tri-clamp
Suction Port Connection	1.25" male NPT	1.25" male NPT	1.25" male NPT	2" Tri-clamp
Maximum Operating Temperature	212° F	212° F	212° F	212° F
Maximum Operating Pressure (at 68° F)	120 psi	120 psi	120 psi	120 psi

ACCESSORIES

PART NUMBER	DESCRIPTION
K-282	Suction line kit (NO TRI-CLAMP KITS)
KR-282	Economy suction line kit (NO TRI-CLAMP KITS)
K-282-A	Bypass kit (includes suction line kit K-282) (NO TRI-CLAMP KITS)
S-87	PVC Strainer (1" barbed connection)
SPSA-1.25-A	Suction Port Screen with Check Valve (1.25" female NPT connection) (NO TRI-CLAMP SPSA)

CHECK VALVES

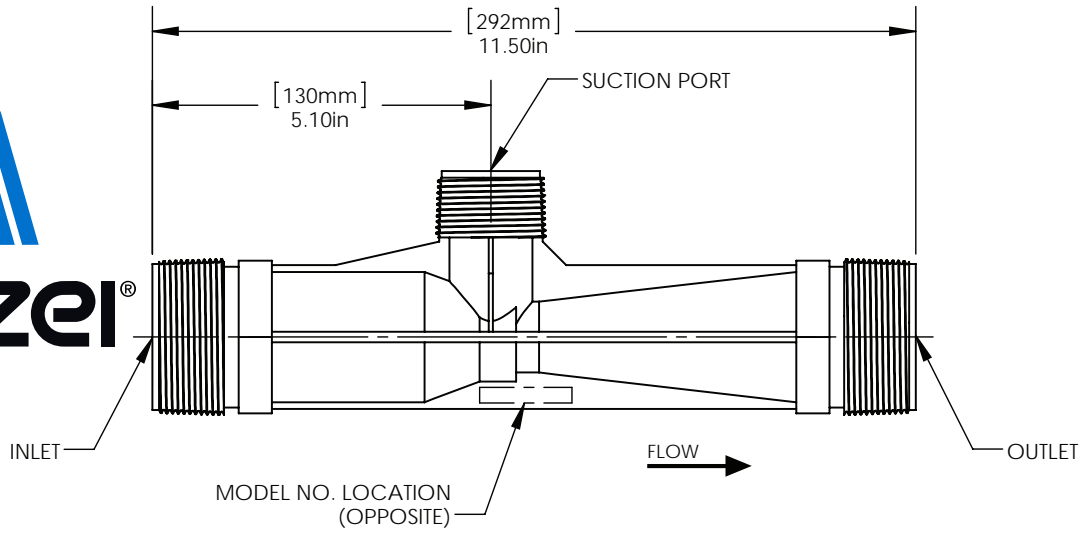
(Injectors Do Not Come With Internal Check Valves)

INJECTOR MODEL	CHECK VALVE
2081-A PP BLACK	C75-CVA (PVC); C86 CLEAR (PVC - replacement for valve in K-282 Kit)
2081-A PVDF BLACK	C75-CVA (PVC); C86 CLEAR (PVC - replacement for valve in K-282 Kit)
2081-A N-PVDF NATURAL	C75-CVA (PVC); C86 CLEAR (PVC - replacement for valve in K-282 Kit)
2081-TC N-PVDF NATURAL	N/A
2081-TC3 N-PVDF NATURAL	N/A



Injector Data Sheet
 2081-A PP, 2081-A PVDF, 2081-A N-PVDF, 2081-A N-PVDF, 2081-TC N-PVDF, 2081-TC3 N-PVDF

Model 2081-A



CONSTRUCTION

Available Material	Polypropylene (PP) - GREEN	Polyvinylidene Fluoride (PVDF) - BLUE
Unit Weight (with box)	0.35 kg	0.61 kg
Inlet & Outlet Connections	50 mm male BSPT	
Suction Port Connection	32 mm male BSPT	
Maximum Operating Temperature	100° C	
Maximum Operating Pressure (at 20° C)	8.44 bar	

ACCESSORIES

PART NUMBER	DESCRIPTION
S-87	PVC Strainer (1" barbed connection)

CHECK VALVES

(Injectors Do Not Come With Internal Check Valves)

INJECTOR MODEL	CHECK VALVE
ISO GRPP 2081A GREEN	C75R-BSPT (PVC)
ISO 2081A PVDF BLUE	C75R-BSPT (PVC)

