

**Injector Data Sheet**  
 0878 02 PP, 0878 02 PVDF, & 0878 02 N-PVDF

### CONSTRUCTION

<b>Available Material</b>	Polypropylene (PP) - BLACK	Polyvinylidene Fluoride (PVDF) - BLACK & NATURAL
<b>Unit Weight (with box)</b>	0.36 lbs	0.53 lbs
<b>Inlet &amp; Outlet Connections</b>	1" male NPT	
<b>Suction Port Cap Connection - Default (Inner Diameter)</b>	0.5" tubing barbs	
<b>Suction Port Cap Connection - Alternate</b>	0.5" male NPT	
<b>Maximum Operating Temperature</b>	212°F	
<b>Maximum Operating Pressure (at 68° F)</b>	120 PSI	

### ACCESSORIES

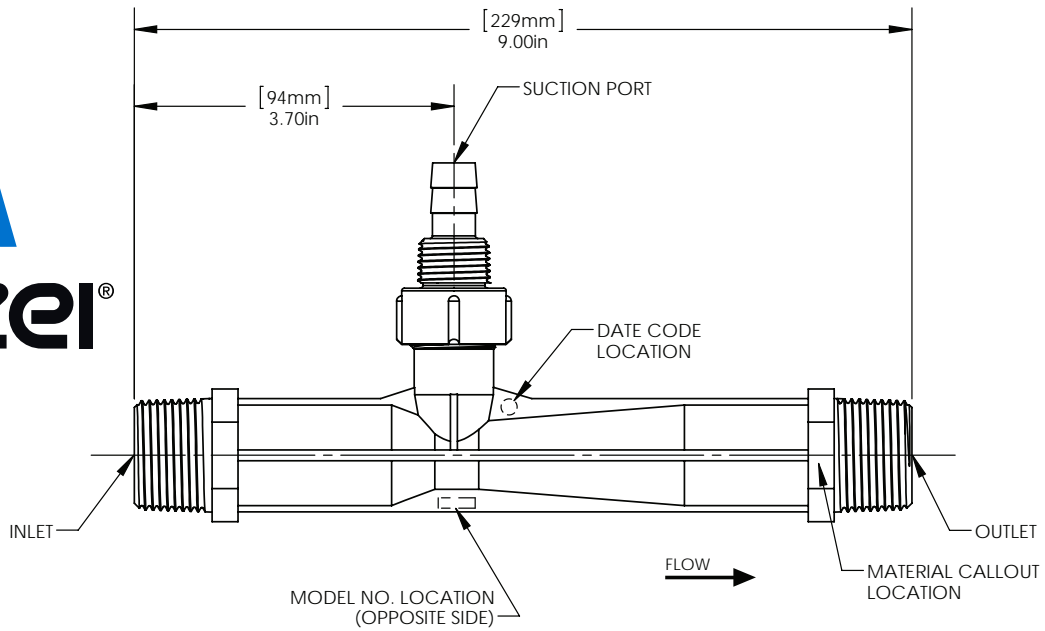
PART NUMBER	DESCRIPTION
<b>K-183</b>	Suction line kit
<b>KR-183</b>	Economy suction line kit
<b>K181-A 02</b>	Bypass kit (includes suction line kit K-183)
<b>MV-50</b>	PP and Teflon™ metering valve with Viton™ O-ring seals (0.5" female NPT connections)
<b>MV5-PP</b>	PP metering valve with custom "V Port" seat control (0.5" male NPT connections)
<b>MV5-N-PVDF</b>	Natural PVDF metering valve with custom "V Port" seat control (0.5" male NPT connections)
<b>S-50HB</b>	Strainer (0.5" barbed connection)
<b>S-84</b>	Strainer without tubing adapter (0.5" female NPT connection)

### REPLACEMENT PARTS

INJECTOR MODEL	SUCTION PORT CAP	CHECK VALVE REPAIR KIT
<b>0878 02 PP</b> BLACK	CAP .75 PP	CR-4
<b>0878 02 PVDF</b> BLACK	CAP .75 PVDF	CR-4
<b>0878 02 N-PVDF</b> NATURAL	CAP.75 N-PVDF	CR-4



**Model 0878**



**Injector Data Sheet**  
 ISO GRPP 0878-3 & ISO 0878 2PVDF

### CONSTRUCTION

<b>Available Material</b>	Polypropylene (PP) - GREEN	Polyvinylidene Fluoride (PVDF) - BLUE
<b>Unit Weight (with box)</b>	0.15 kg	0.24 kg
<b>Inlet &amp; Outlet Connections</b>	25 mm male BSPT	
<b>Suction Port Cap Connection - Default (Inner Diameter)</b>	0.5" tubing barbs	
<b>Suction Port Cap Connection - Alternate</b>	0.5" male NPT	
<b>Maximum Operating Temperature</b>	100° C	
<b>Maximum Operating Pressure (at 20° C)</b>	8.44 bar	

### ACCESSORIES

PART NUMBER	DESCRIPTION
<b>K-183</b>	Suction line kit
<b>KR-183</b>	Economy suction line kit
<b>MV-50</b>	PP and Teflon™ metering valve with Viton™ O-ring seals (0.5" female NPT connections)
<b>MV5-PP</b>	PP metering valve with custom "V Port" seat control (0.5" male NPT connections)
<b>MV5-N-PVDF</b>	Natural PVDF metering valve with custom "V Port" seat control (0.5" male NPT connections)
<b>S-50HB</b>	Strainer (0.5" barbed connection)
<b>S-84</b>	Strainer without tubing adapter (0.5" female NPT connection)

### REPLACEMENT PARTS

INJECTOR MODEL	SUCTION PORT CAP	CHECK VALVE REPAIR KIT
<b>ISO GRPP 0878-3</b> GREEN	ISO CAP .75 GRPP	CR-4
<b>ISO 0878 2PVDF</b> BLUE	N/A	CR-4

**Model 0878**