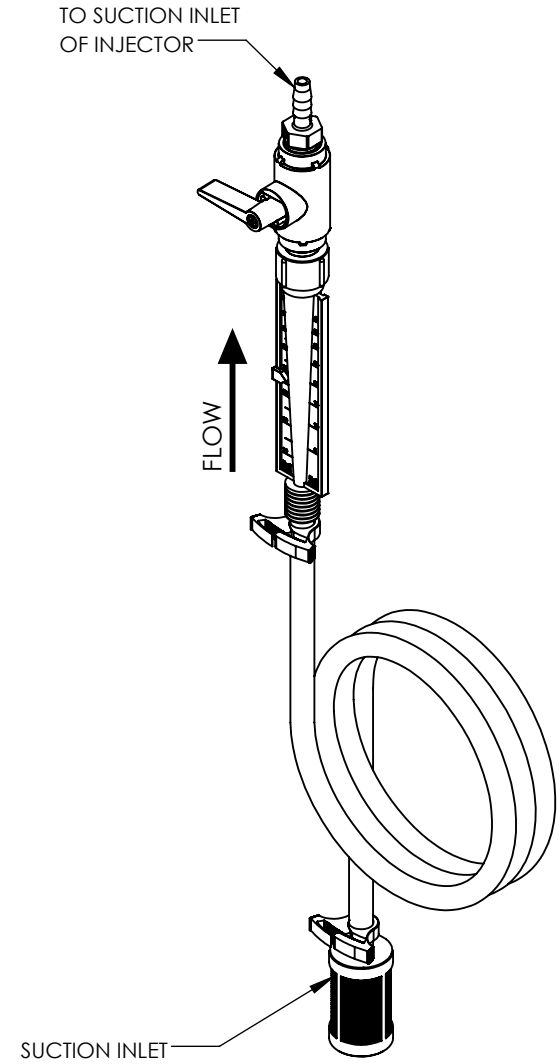


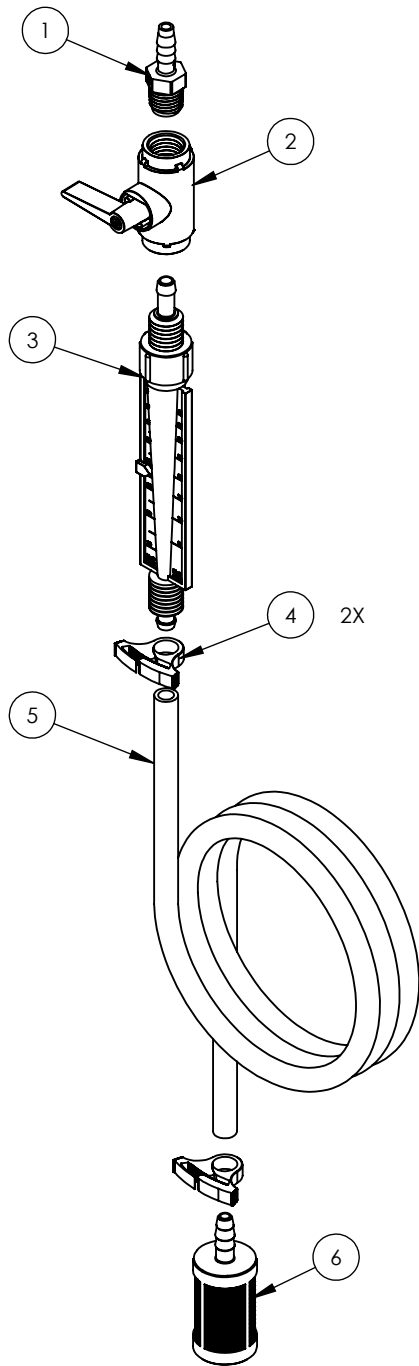
NOTES:

1. FOR INSTALLATION RECOMMENDATIONS REFER TO MAZZEI TECHNICAL BULLETINS No. 4, No. 5, No. 6, No. 10 AND No. 11, WHICH CAN BE FOUND IN THE "KNOWLEDGE CENTER" AT WWW.MAZZEI.NET.
2. INJECTOR & HOSE BARB CAP NOT INCLUDED WITH SUCTION KIT.



(ISOMETRIC VIEW)
(FOR REFERENCE ONLY)

UNLESS OTHERWISE SPECIFIED DIMENSIONS ARE IN INCHES			DESCRIPTION: K-F-30L; FLOWMETER ASSEMBLY KIT			
DRAWN:	J. PEREZ		DRAWING NO.: K-F-30L			
DATE:	5/21/2015	SIZE:	WEIGHT:	SCALE:	REV.:	SHEET:
APPROVED:	J. BENNETT	A	N/A	1:3	NC	1 OF 2



(EXPLODED VIEW)
(FOR REFERENCE ONLY)

ITEM NO.	TITLE	PART NUMBER	DESCRIPTION	QTY.
1	TA-225	TA-225	ADAPTER; 1/4" MNPT X 1/4" BARB	1
2	VALVE	PBV5-4F-PP-E	BALL VALVE, 5/16" ORIFICE, 1/4" FNPT, PP EPDM	1
3	FLOWMETER	F-30 L	FLOWMETER, 1/4" BARB, 5-40 GPH	1
4	CLAMP	CLAMP#23	PLASTIC TUBE CLAMP	2
5	TUBING	VT-025	1/4" ID x 3/8" x 6' OD CLEAR VINYL TUBING	1
6	S-25HB STRAINER	S-25HB	STRAINER; 1/4" TUBE, #35 MESH	1

UNLESS OTHERWISE SPECIFIED DIMENSIONS ARE IN INCHES			DESCRIPTION: K-F-30L; FLOWMETER ASSEMBLY KIT		
DRAWN: J. PEREZ	DATE: 5/21/2015		DRAWING NO.: K-F-30L		
APPROVED: J. BENNETT	SIZE: A	WEIGHT: N/A	SCALE: 1:3	REV.: NC	SHEET: 2 OF 2