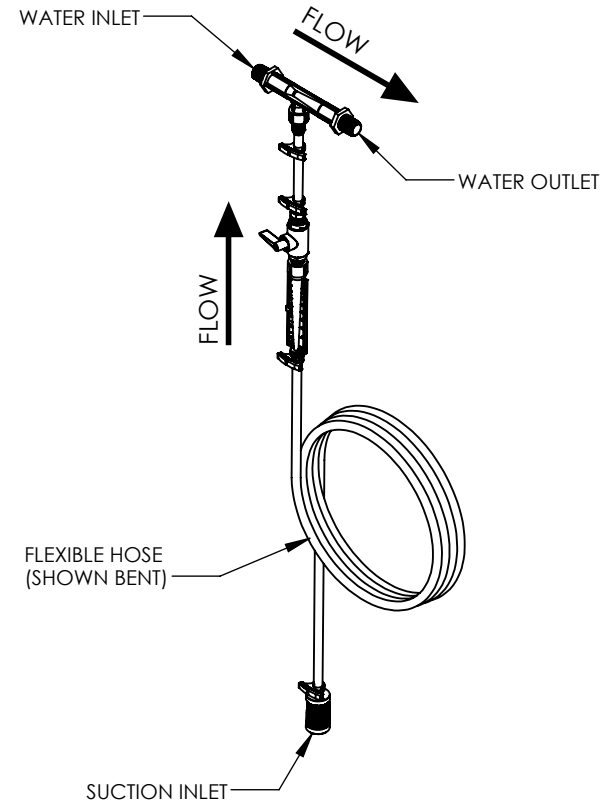


NOTES:

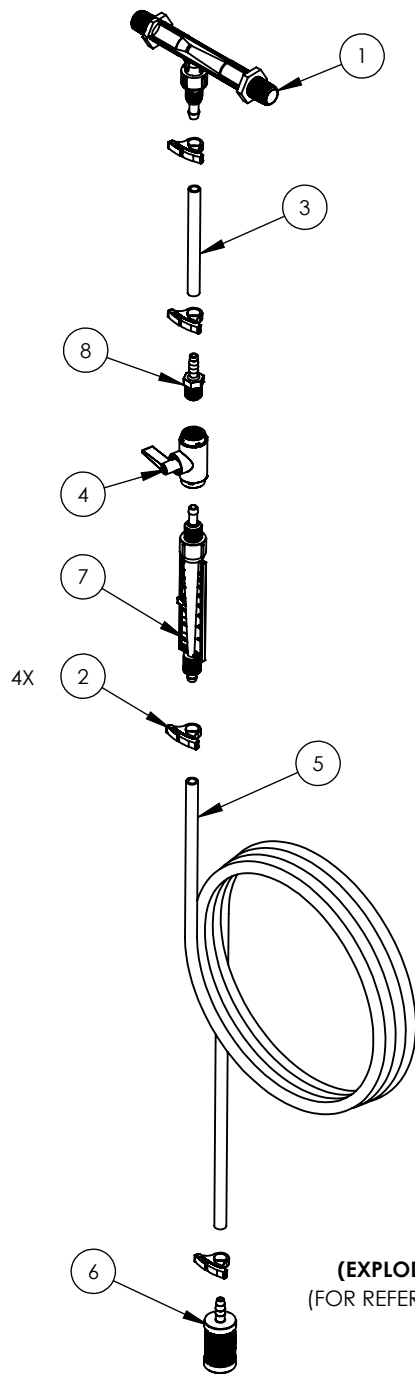
1. FOR INSTALLATION RECOMMENDATIONS REFER TO MAZZEI TECHNICAL BULLETINS No. 4, No. 5, No. 6, No. 10 AND No. 11, WHICH CAN BE FOUND AT WWW.MAZZEI.NET.
2. INJECTOR & HOSE BARB CAP ARE INCLUDED.

REVISIONS			
REV.	DESCRIPTION	DATE	APPROVED
NC	RELEASED FOR SUBMITTAL	6/9/15	J. BENNETT
0	UPDATED VALVE	8/8/17	J. WILSON
1	ADDED FLOWMETER	3/18/19	J. BENNETT
2	UPDATED DESCRIPTION	12/12/2019	J.M.



(ISOMETRIC VIEW)
(FOR REFERENCE ONLY)

UNLESS OTHERWISE SPECIFIED DIMENSIONS ARE IN INCHES			DESCRIPTION: ECONOMY KIT FOR 1/2" (15mm) AND 3/4" (20mm) INJECTORS WITH 0484-A PP INJECTOR			
DRAWN: T. JOHNS	DATE: 7/27/2016		DRAWING NO.: K484A-S			
APPROVED: T. JOHNS	SIZE: A	WEIGHT: N/A	SCALE: 1:8	REV.: 1	SHEET: 1 OF 2	



(EXPLODED VIEW)
(FOR REFERENCE ONLY)

ITEM NO.	TITLE	PART NUMBER	DESCRIPTION	QTY
1	INJECTOR	0484-A PP	3/4" INJECTOR; 0484-A PP	1
2	CLAMP	CLAMP#23	PLASTIC TUBE CLAMP	4
3	VINYL TUBING	VT-025	1/4" I.D. x 3/8" O.D. x 2.00"	1
4	VALVE	PBV5-4F-PP-E	BALL VALVE, 5/16" ORIFICE, 1/4" FNPT, PP EPDM	1
5	VINYL TUBING	VT-025	1/4" I.D. x 3/8" O.D. x 10 FT. (COILED)	1
6	STRAINER	S-25HB	STRAINER; S-25HB	1
7	FLOWMETER	F-30 L	FLOWMETER, 1/4" BARB, 5-40 GPH	1
8	TA-225	TA-225	ADAPTER, 1/4" MNPT X 1/4" BARB	1

UNLESS OTHERWISE SPECIFIED
DIMENSIONS ARE IN INCHES

DRAWN: T. JOHNS

DATE: 7/27/2016

APPROVED: T. JOHNS



SIZE:
A

WEIGHT:
N/A

SCALE:
1:6

REV.:
1

SHEET:
2 OF 2

DESCRIPTION:

ECONOMY KIT FOR 1/2" (15mm) AND
3/4" (20mm) INJECTORS WITH 0484-A
PP INJECTOR

DRAWING NO.:

K484A-S