

BC H9G

% A 5H9F5@G:C: '7 C BGFI 7 HC B.'  
 5" 6C 8M'DJ 7"G7 <"(\$  
 6" :@ 5H/ 'D@ B; 9F. H@ CB '7 C 5H98 'GH5 B @GG'GH99@HMD9' \$(  
 7" C F≡7 9'6I HC B '#C!F-B; G'J #C B  
 8" <5F8K 5F9.'GH5 B @GG'GH99@HMD9%! ,

&" DF A 5FM7 C BB97 HC B 'HMD9GfG.  
 5" B@H7 C BB97 HC B. %) \$! : 9A 5@'B5HC B5 @D@9'HK F958 'fi BDH/5BG=6%&\$"%  
 6" C I H@H7 C BB97 HC B. \$" \$! : 9A 5@'B5HC B5 @D@9'HK F958 'fi BDH/5BG=6%&\$"%

'" 5DDFC L A 5H9'K 9≡ <HfG.  
 5" 9A DHM '&\$" '@6G'f' "' ?; G.  
 (" D9F: C FA 5B7 985H5.  
 5" : 5GF9@5G9'J 5@ 9G'GH5H98 '6MA 5BI : 57 H F9Fz  
 F9: 9F9B7 9. \hd. ## k k "cncbYk UH/fmgH/a d'Vca #fj %#  
 : C F: I @D9F: C FA 5B7 985H5 'F5B; 9G'  
 6" C F≡7 98'5A 9H9F. %#,"  
 7" 7C @8'K C F?B; 'DF9GG F9.  
 J'..... A B A I A .) 'DG≡ f69@C K 'Hk-GJ 5@ 9z'Hk9CF≡7 9'G95HA 5MBC HG95 @  
 7C FF97 H@M7 5I GB; 'DF9A 5H F9; 5G#@E I -8 'F9@5G9G.  
 J'..... A 5L A I A .) '\$DG≡

)" DFC 8I 7H: B-G<.   
 5" :57 HC FM: B-G<

\*\* A G7 9@5B9C I G  
 5" J 5@ 9'G'89G≡ B98 '5B8 '9B; B99F98 '6MC Hk9FG

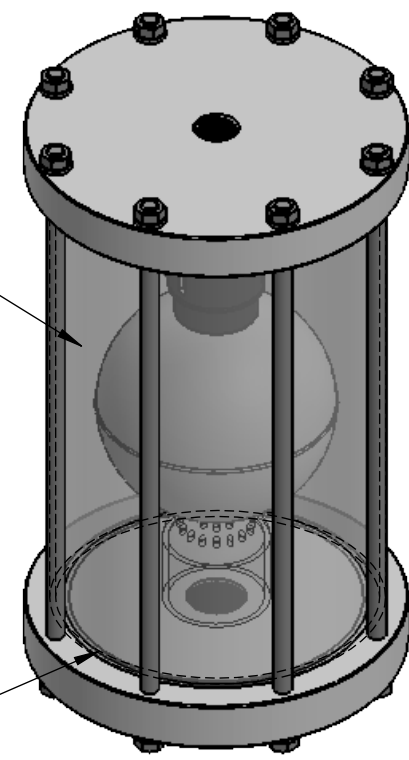
F9J -GCBG

F9J "	89G7 F-DHC B	85H9	5DDFC J 98
5	F9@95 G98 : C F 'G' 6A #H5 @	)#(#%)	>"69BB9H

5DDFC J 98  
 F9@95 G98 : C F 'G' 6A #H5 @

9E I DA 9B HB5A 9D@5H9  
 fBC HG<C K B : C F '7 @5F #M

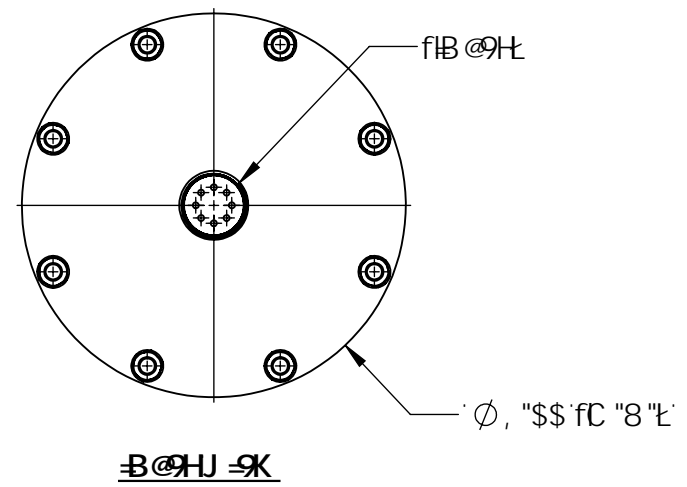
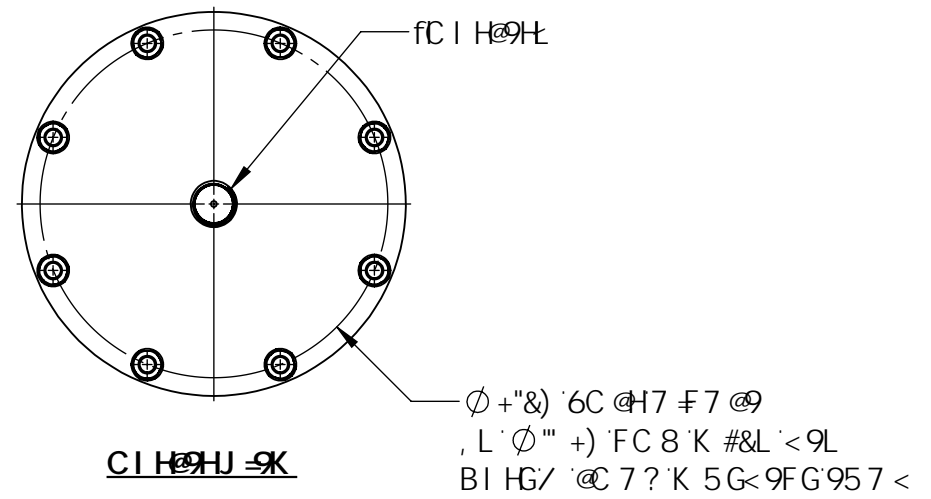
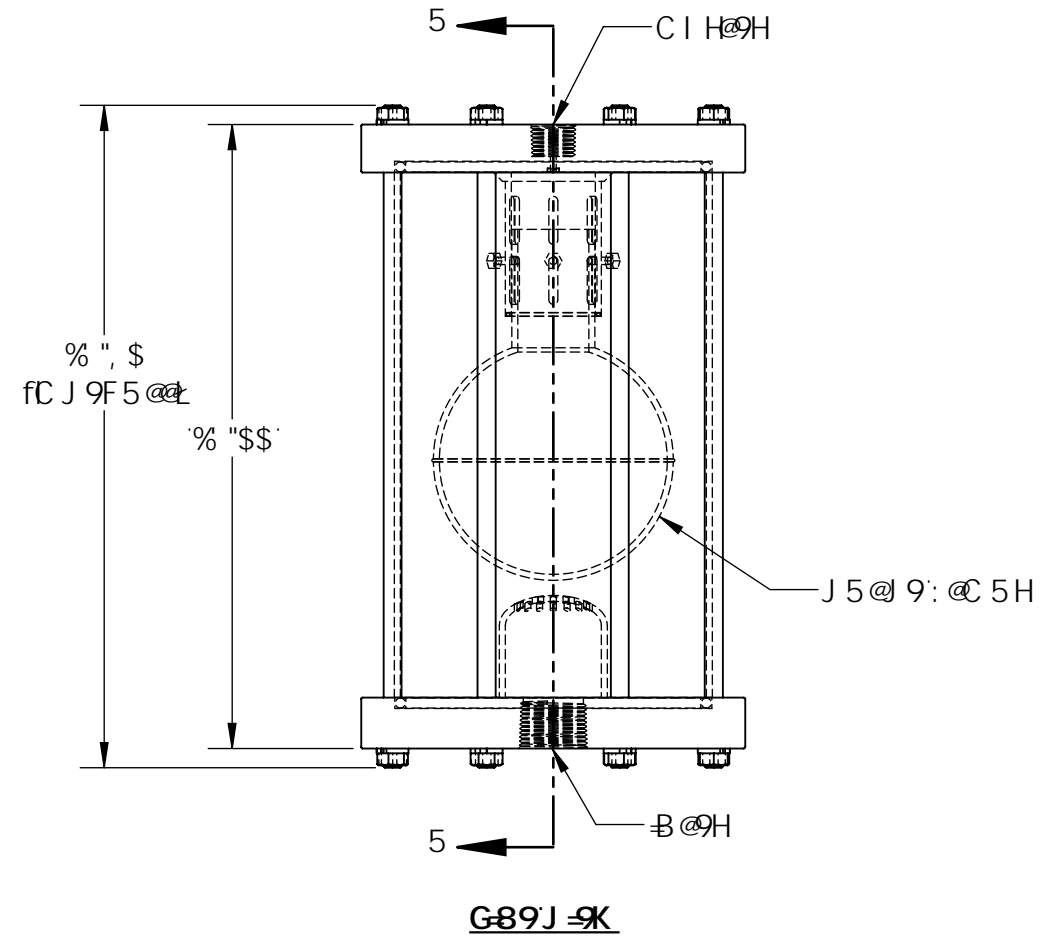
7 @5F 'DJ 7



GCA 9F≡7 J -K

**G 6A #H5@8F5K B;**

<b>G 6A #H5@BCH7 9</b>		<b>7 CB: 89BH5@HMBCH7 9</b>		<b>I B @GG' C Hk 9FK -G9'GD97 ≡ -98</b>		<b>5DDFC J 5 @G</b>		<b>85H9</b>			<b>A 5NN9≡B &gt;97 HCF '7 C 'Z' @</b>		
5BMF97CA A 9B85HC BG: C F'DFC 8I 7H5B8#CF' GMD9A '89G≡ BzK <9H'9F '7 C BH5 B98 'B '5 '8C 7I A 9BHz K #k-B 'Hk-G'8F5K B; z7CA A I B≡7 5H98 '6M9@97 HFC B≡7 A 95BGC F; J 9B 'J 9F 65 @Mz 5F9-BH9B 898 'GC @M5G' ; I -89@B9GHC '57H 5@GMD9A '89G≡ B" 'G5-B F97CA A 9B85HC BG'5F9'65G98 'I DC B 'B: C FA 5HC B' G DD@98 '6MC Hk9F9z'Hk 957 7I F57 MC: 'K <≡7 <'G' 69MC B8 'J 9F≡7 5HC B '6MA 5NN9≡B >97 HCF '7 C " @7" Hk9F9: C F A 5NN9=7 5BBC H5B8 '8C 9GBC HK 5FF5BH Hk9G #56@HMC: #G'DFC 8I 7HG: C F '5 'D5FH7I @5F' G9FJ≡7 9BC F'Hk9D9F: C FA 5B7 9C: '5BMGMG9A' 7C BH5 B B; '7 CA DC B9BHGA 589CF GC @8 '6MA 5NN9≡		Hk9B: C FA 5HC B '7 C BH5 B98 'B 'Hk-G 8F5K B; 'G'Hk9GC @DFC D9F HMC: A 5NN9≡B >97 HCF '7 CA D5BM@7 "5BM F9DFC 8I 7HC B 'B 'D5FHCF '5G5 'K <C @ K #kC I Hk9K F'H9B 'D9FA -G€B C: A 5NN9≡G'GF≡7 H@MDFC <-6#98"		8-A '5F9'B 'B7 <9G HC @C B '5B; @'±") \$° &D@± "\$*"" 'D@± "\$' \$ B'H9DF 9H8-A '5B8 'HC @D9F 5GA 9'Mk (") A !% - (		8F5K B, >"A 5F5G≡ 5B 7 <97 ?98. : " : @ F 9G 5DDFC J 98. >"69BB9H		' #&%#&\$% )#(#&\$%) )#(#&\$%)			)\$\$'FC C GHP '8F≡ 9'65?9FG -9@8z7 5 : '' \$+ D<C B9. fF *%e' **!*) \$\$ : 5L: fF *%e' **!+) \$\$ K K K "A 5NN9≡B9H		
Hk#8'5B; @DFC >97 HCB						E 5. 7I GHA 9F 5DDFC J 5@ 7I GHA 9F.		B #5		89; 5GF9@9: J 5@ 9		8F5K B: 'BI A 69F.	
8F5K B; 'A 5MBC H69'DF B'H98 : I @GAN' 8C 'BC HG7 5@9		6 BC B9		B #5		8FJ \$+66@: BB!G 6		5		G<99H %C : '			



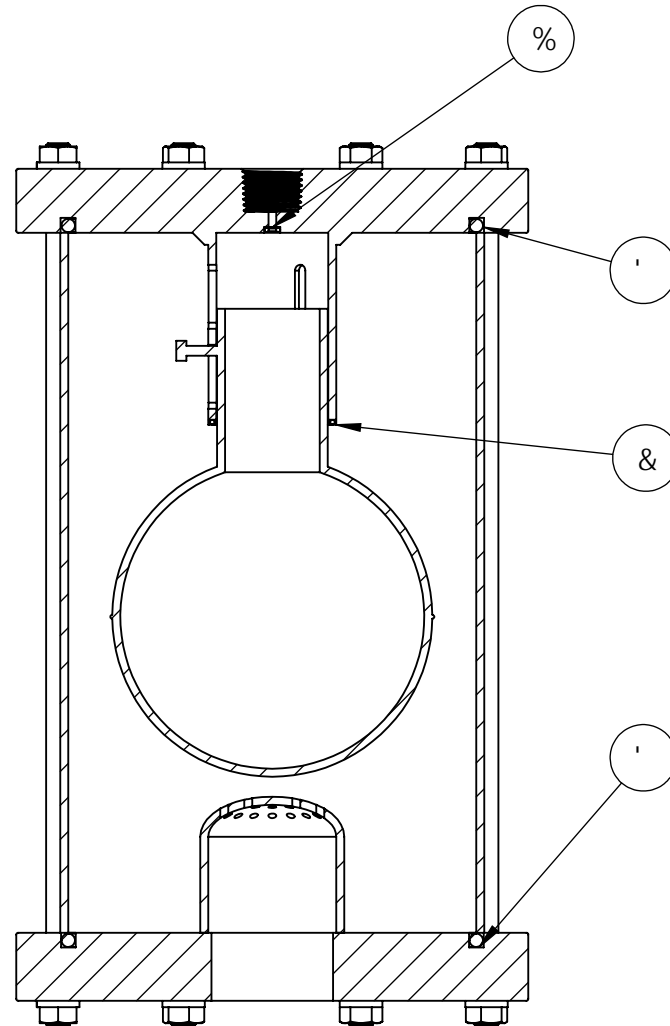
5DDFCJ 98  
 F 9@95 G98 : C F'G 6A #H5 @

	<b>A 5N9=B&gt;97 HCF'7 C'Z@7</b> )\$\$'FC C GPF '8F# 965?9FG 9@8Z75 :'' \$+ D<C B9. fF *%&' *' !*) \$\$' : 5L. fF *%&' *' !+) \$\$ K K K 'A 5N9=B9H		
	89; 5GF9@9: J 5@ 9		
GA9.	>C 6BC".	8F5K B; 'BI A 69F.	F9J.
6	B #5	8FJ \$+66@: BB!G 6	5
G7 5@.	% (	K 9= <H &\$") @6G	G<99H &C : '

BC H9G

% D5FHG@GH8'69@K'DFCJ'897CAACB'D5FHG'K<7<'B998'F9D@57B;ZIG5@M  
:FCA'K95F'5B8'H95F"÷'588#CB5@GD5F9'D5FHG'5F9F9E I F98Z69MCB8'K<5HG  
C::9F98Z5'K<C@I B#9DFC7IF9A9BHGF9E I F98"

&" H'97CBH9BHG'C: H'9GD5F9'D5FHG?#H75B'J5FM:FCA'AC89@HC'AC89@5B8'75B'  
7<5B;9K#C I HBC H79"



G97 HC B'5!5  
fG99 G<99H&L

GD5F9'D5FHG?'#H'  
A5N9#DB, GD?%\$+5  
A#####D#E#J#O#E#U#O#O#A#T &T#E#V#O#U#A#C#E#U#A#J#I#I#S#F#D  
A#####D#E#J#O#E#S#U#C#E#A#T &T#E#V#O#U#A#C#E#U#A#J#I#I#S#I#D  
A#####D#E#J#O#E#S#O#P#O#A#T &T#E#V#O#U#A#C#E#U#A#J#I#I#S#I#D  
A5H9F-5 @AKQUP#E#U#V#T#A#G#E#E#E

5DDFCJ98  
F9@95G98:CF'G'6A#H5@

		<b>A5N9#B&gt;97HCF'7C'Z#@7</b>	
89G7F#HCB:		)\$\$'FCCGHF'8F#965?9FG'9@8Z75'-' '\$+ D<CB9,ff*%#''*!*)\$\$':5L:ff*%#''*!+)\$\$ K K K 'A5N9#B9H	
89; 5GF9@9: J5@9			
GAP.	>C6BC":	8F5K#B: BIA69F.	F9J.
6	B#5	8FJ\$+66@:BB!G'6	5
G75@9	BCB9	K9#<H	G<99H
		&\$") @6G	'C: ''