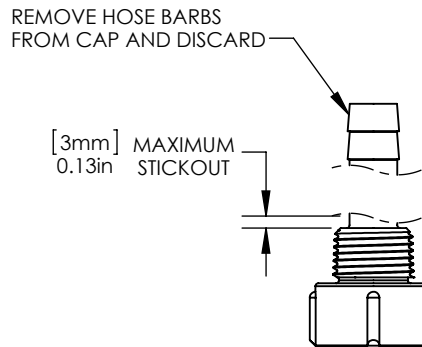
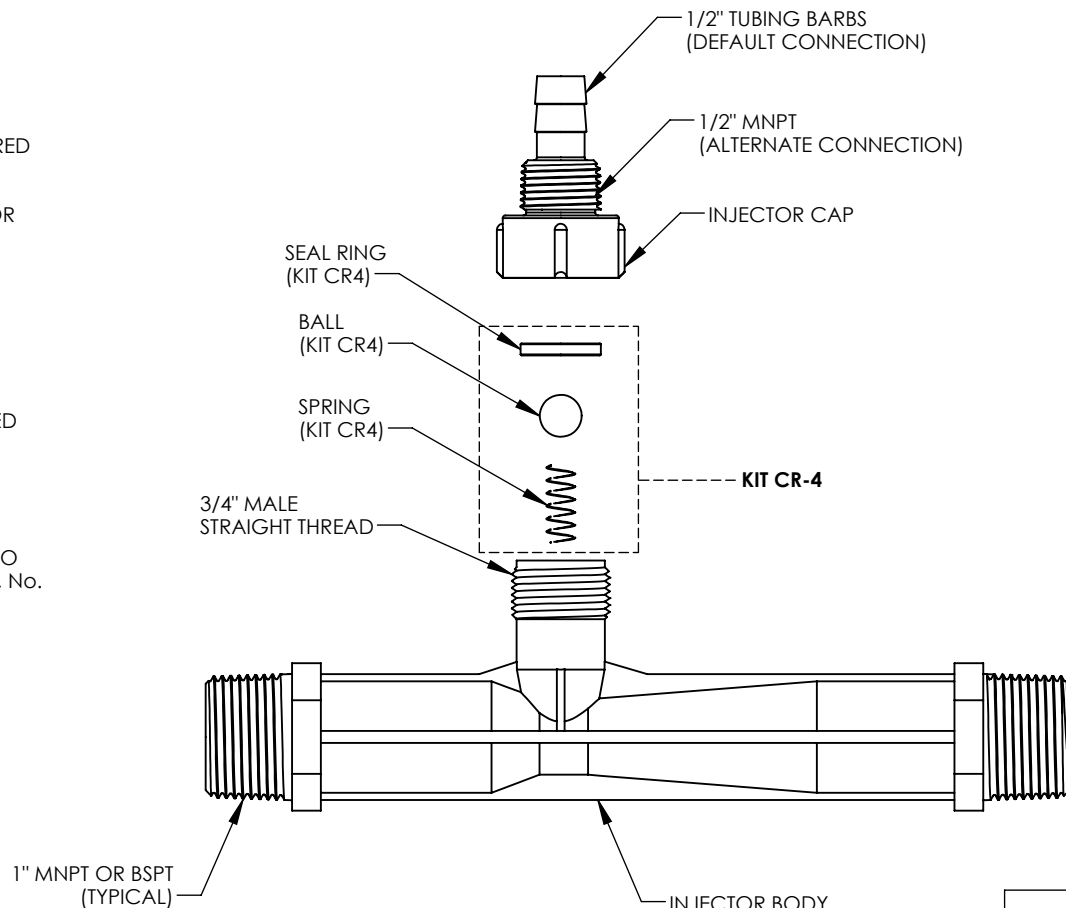


NOTES:

1. MADE IN THE U.S.A.
2. U.S. PATENT No. 5,863,128
3. U.S. No. 3,852,076 AND INTERNATIONAL REGISTERED TRADEMARKS
4. MATERIAL: GLASS FILLED POLYPROPYLENE (PP) OR POLYVINYLIDENE FLUORIDE (PVDF) OR NATURAL POLYVINYLIDENE FLUORIDE (N-PVDF) .
5. INLET/OUTLET CONNECTION:
1" MNPT OR BSPT
6. SUCTION PORT CONNECTION:

DEFAULT - 1/2" I.D. TUBING BARB WITH INTEGRATED CHECK VALVE

ALTERNATE - 1/2" MNPT - SEE ALTERNATE CAP MODIFICATION DETAIL
7. FOR INSTALLATION RECOMMENDATIONS REFER TO MAZZEI TECHNICAL BULLETINS No. 4, No. 5, No. 6, No. 10 AND No. 11, WHICH CAN BE FOUND AT WWW.MAZZEI.NET.
8. MAZZEI INJECTOR CO., LLC.
500 ROOSTER DR.
BAKERSFIELD, CA 93307
TEL: 661.363.6500
WEB: WWW.MAZZEI.NET

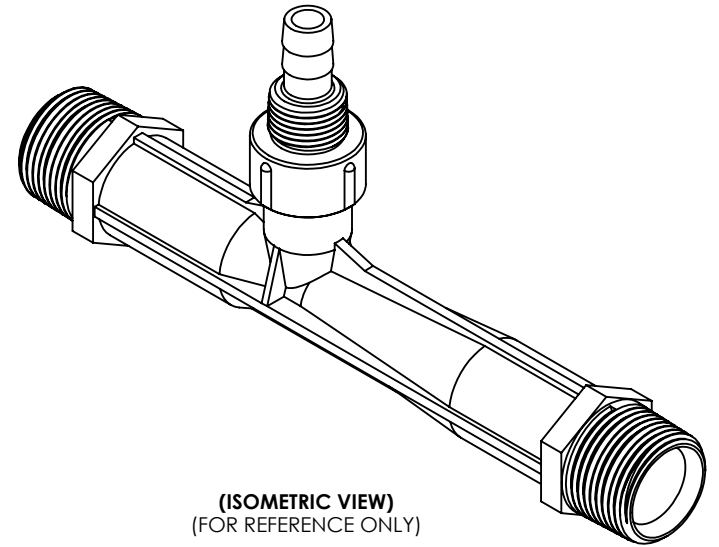


"CAP MODIFICATION DETAIL"
(ALTERNATE)

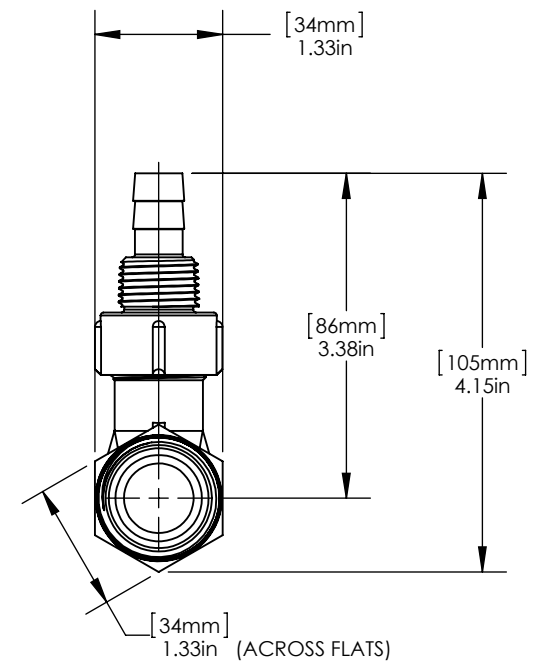
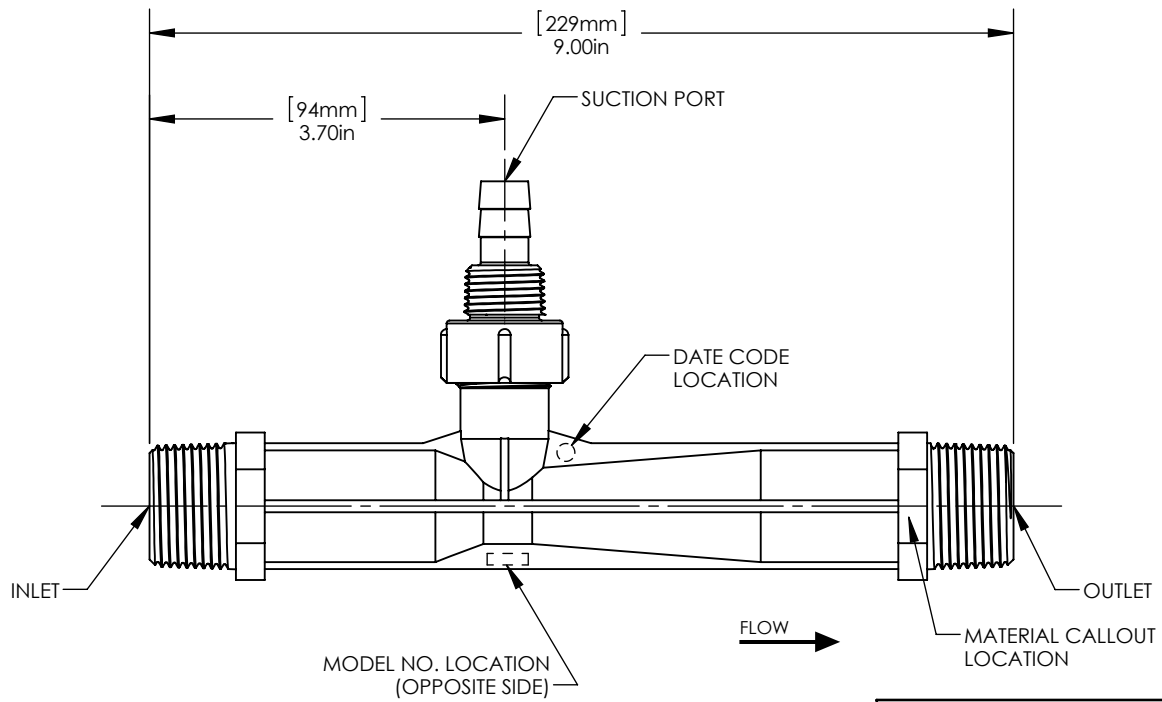
INJECTOR BODY
MAZZEI PART NO.'S
0885X 3 PP
0885X 3 PVDF
0885X 3 N-PVDF
ISO 0885X 3 GRPP
ISO 0885X 3 PVDF

KIT CR-4	
TITLE	MATERIAL
BALL	TEFLON @ (PTFE)
SEAL RING	KEL-F @ (PCTFE)
SPRING	HASTELLOY C-22

UNLESS OTHERWISE SPECIFIED DIMENSIONS ARE IN INCHES			TITLE: 1" INJECTOR; MODEL 0885X 3		
DRAWN: T. JOHNS	DATE: 7/19/2013		DRAWING NO.: 0885X 3		
APPROVED: P. BANKOWSKI	SIZE: A	WEIGHT: N/A	SCALE: 1:2	REV.: B	SHEET: 1 OF 2



(ISOMETRIC VIEW)
(FOR REFERENCE ONLY)



UNLESS OTHERWISE SPECIFIED DIMENSIONS ARE IN INCHES			TITLE: 1" INJECTOR; MODEL 0885X 3		
DRAWN: T. JOHNS	DATE: 7/19/2013		DRAWING NO.: 0885X 3		
APPROVED: P. BANKOWSKI	SIZE: A	WEIGHT: N/A	SCALE: 1:2	REV.: B	SHEET: 2 OF 2



Injector Performance Table
Water Suction Capacity

Operating Pressure PSIG		WATER SUCTION		Operating Pressure PSIG		WATER SUCTION		
Injector INLET	Injector OUTLET	Motive Flow GPM	Water Suction GPH	Injector INLET	Injector OUTLET	Motive Flow GPM	Water Suction GPH	
5	0	3.6	78.0	60	0	12.3	140	
	1		62.5		5		140	
	2		42.7		10		140	
	3		15.5		15		140	
	4		*(4.0)		20		138	
10	0	5.0	115		30		110	
	2		90.7		35		73.3	
	5		44.7		40		33.2	
	7		19.4		45		*(43.0)	
	8		*(7.5)		70		0	141
15	0	6.2	135				5	141
	5		83.1				10	140
	7		58.0				15	140
	10		19.1				20	140
	12		*(11.0)				30	135
20	0	7.1	141	40		87.6		
	5		117	45		44.5		
	10		57.6	50		*(51.0)		
	12		36.1	55				
	15		*(14.0)	80		0	139	
25	0	8.0	142			5	139	
	5		135			10	140	
	10		96.5			15	139	
	15		38.4			20	140	
	20		*(17.0)		30	139		
30	0	8.7	144		40	124		
	5		140		50	60.0		
	10		125		60	*(57.0)		
	15		69.3		65			
	20		14.3		90	0	141	
25	*(20.5)	5	139					
35	0	9.4	142			10	141	
	5		141			20	139	
	10		135			30	140	
	15		106	40		136		
	20		54.1	50		103		
25	*(24.0)	60	34.7					
40	0	10.1	140	70		*(66.0)		
	5		141	75				
	10		139	100		0	141	
	15		128			5	141	
	20		90.4			10	141	
25	36.8	20	141					
30	*(27.0)	30	140					
45	0	10.7	140		40	139		
	5		139		50	130		
	10		139		60	87.7		
	15		134		70	32.5		
	20		112		80	*(73.0)		
	25		74.4		120	0	140	
	30		23.1			5	140	
35	*(31.0)	10	140					
50	0	11.3	139			20	140	
	5		140			30	140	
	10		140	40		140		
	15		139	50		135		
	20		128	60		131		
	25		106	70		84.6		
	30		58.9	80		28.0		
	35		12.9	90				
	40		*(36.0)	100		*(85.0)		

Copyright© 2019 REV 04.2019

Mazzei Injector Company, LLC
 500 Rooster Drive, Bakersfield, CA 93307-9555 USA

TEL 661.363.6500 • FAX 661.363.7500 • www.mazzei.net

**NUMBERS IN PARENTHESIS indicate
 the injector outlet pressure when
 suction stops (Zero Suction Point).*

Model 885X



Operating Pressure kg/cm ²		WATER SUCTION		Operating Pressure kg/cm ²		WATER SUCTION	
Injector Inlet	Injector Outlet	Motive Flow l/min	Water Suction l/hr	Injector Inlet	Injector Outlet	Motive Flow l/min	Water Suction l/hr
0.35	0.00	13.5	295	4.22	0.00	46.7	532
	0.07		236		0.35		532
	0.14		161		0.70		533
	0.21		58.6		1.05		533
	0.28		*(0.28)		1.41		524
0.70	0.00	19.1	438		2.11		417
	0.14		343		2.46		277
	0.35		169		2.81		125
	0.49		73.4		3.16		*(3.02)
	0.56		*(0.53)				
1.05	0.00	23.4	512	4.92	0.00	50.5	533
	0.35		314		0.35		533
	0.49		219		0.70		531
	0.70		72.5		1.05		531
	0.84		*(0.77)		1.41		532
1.41	0.00	27.0	537		2.11		513
	0.35		444		2.81		331
	0.70		218		3.16		168
	0.84		136		3.52		
	1.05		*(0.98)		3.87		*(3.59)
1.76	0.00	30.1	540	5.62	0.00	53.9	528
	0.35		513		0.35		528
	0.70		365		0.70		532
	1.05		145		1.05		528
	1.41		*(1.20)		1.41		532
2.11	0.00	33.0	543		2.11		528
	0.35		532		2.81		469
	0.70		474		3.52		227
	1.05		262		4.22		
	1.41		54.3		4.57		*(4.01)
	1.76		*(1.44)				
2.46	0.00	35.7	538	6.33	0.00	57.2	535
	0.35		536		0.35		529
	0.70		513		0.70		535
	1.05		403		1.41		529
	1.41		205		2.11		531
	1.76		*(1.69)		2.81		517
2.81	0.00	38.1	533		3.52		391
	0.35		533		4.22		131
	0.70		526		4.92		
	1.05		484		5.27		*(4.64)
	1.41		342				
	1.76		139				
3.16	0.00	40.5	533	7.03	0.00	60.3	534
	0.35		528		0.35		534
	0.70		526		0.70		534
	1.05		510		1.41		534
	1.41		424		2.11		531
	1.76		281		2.81		528
	2.11		87.7		3.52		495
	2.46		*(2.18)		4.22		332
3.52	0.00	42.6	528		4.92		123
	0.35		531		5.62		*(5.13)
	0.70		531				
	1.05		526	0.00	531		
	1.41		484	0.35	532		
	1.76		404	0.70	531		
	2.11		223	1.41	532		
	2.46		48.9	2.11	531		
	2.81		*(2.53)	2.81	532		
				3.52	511		
		4.22	496				
		4.92	320				
		5.62	106				
		6.33					
		7.03	*(5.98)				



Operating Pressure PSIG		AIR SUCTION		Operating Pressure PSIG		AIR SUCTION	
Injector INLET	Injector OUTLET	Motive Flow GPM	Air Suction SCFH	Injector INLET	Injector OUTLET	Motive Flow GPM	Air Suction SCFH
5	0	3.4	18.3	60	0	11.7	120
	1		9.0		5		58.2
	2		1.4		10		45.1
	3				15		23.0
	4		*(4.0)		20		16.3
10	0	4.8	26.9		30		8.7
	2		15.2		35		6.5
	5		1.8		40		3.0
	7				45		*(43.0)
	8		*(7.5)				
15	0	5.9	38.3	70	0	12.7	135
	5		7.9		5		63.5
	7		3.4		10		46.3
	10				15		29.9
	12		*(11.0)		20		22.5
20	0	6.8	47.1		30		12.8
	5		13.5		40		7.6
	10		3.6		45		5.3
	12				50		
	15		*(14.0)		55		*(51.0)
25	0	7.6	57.1	80	0	13.5	154
	5		27.9		5		61.1
	10		7.1		10		55.2
	15		2.8		15		34.2
	20		*(17.0)		20		28.7
30	0	8.3	66.9		30		16.2
	5		46.2		40		10.1
	10		12.3		50		6.2
	15		5.5		60		
	20		2.0		65		*(57.0)
35	0	9.0	87.4	90	0	14.4	168
	5		27.4		5		68.3
	10		16.0		10		61.6
	15		7.9		20		35.0
	20		4.3		30		19.7
40	0	9.6	80.8		40		13.0
	5		39.2		50		8.8
	10		21.3		60		4.6
	15		11.2		70		
	25		6.8		75		*(66.0)
45	0	10.2	77.1	100	0	15.1	184
	5		48.7		5		73.4
	10		27.2		10		65.1
	15		14.7		20		42.5
	20		9.1		30		24.1
50	0	10.7	83.8		40		15.9
	5		49.6		50		11.3
	10		32.2		60		7.8
	15		17.7		70		
	20		11.2		80		*(73.0)
50	0	10.7	83.8	120	0	16.6	209
	5		49.6		5		79.8
	10		32.2		10		73.2
	15		17.7		20		52.7
	20		11.2		30		28.5
25	7.5	40	21.4				
30	4.8	50	16.8				
35		60	11.6				
40	*(36.0)	70	9.9				
		80	3.8				
		90					
		100	*(85.0)				

Injector Performance Table
Air Suction Capacity
Model 885X



Injector Performance Table
Air Suction Capacity - METRIC

Model 885X

Operating Pressure kg/cm ²		AIR SUCTION		Operating Pressure kg/cm ²		AIR SUCTION	
Injector INLET	Injector OUTLET	Motive Flow l/min	Air Suction l/min	Injector INLET	Injector OUTLET	Motive Flow l/min	Air Suction l/min
0.35	0.00	12.8	8.6	4.22	0.00	44.4	56.8
	0.07		4.2		0.35		27.5
	0.14		0.69		0.70		21.3
	0.21				1.05		10.8
	0.28		*(0.28)		1.41		7.7
0.70	0.00	18.1	12.7		2.11		4.1
	0.14		7.1		2.46		3.1
	0.35		0.87		2.81		1.4
	0.49				3.16		*(3.02)
	0.56		*(0.53)		0.00		63.9
1.05	0.00	22.2	18.1	0.35	29.9		
	0.35		3.7	0.70	21.8		
	0.49		1.6	1.05	14.1		
	0.70			1.41	10.6		
	0.84		*(0.77)	2.11	6.0		
1.41	0.00	25.6	22.2	2.81	3.6		
	0.35		6.4	3.16	2.5		
	0.70		1.7	3.52			
	0.84			3.87	*(3.59)		
	1.05		*(0.98)	0.00	72.9		
1.76	0.00	28.7	26.9	0.35	28.8		
	0.35		13.1	0.70	26.0		
	0.70		3.3	1.05	16.1		
	1.05		1.3	1.41	13.5		
	1.41		*(1.20)	2.11	7.6		
2.11	0.00	31.4	31.5	2.81	4.7		
	0.35		21.8	3.52	2.9		
	0.70		5.8	4.22			
	1.05		2.6	4.57	*(4.01)		
	1.41		0.98	0.00	79.3		
2.46	0.00	33.9	41.2	0.35	32.2		
	0.35		12.9	0.70	29.1		
	0.70		7.5	1.41	16.5		
	1.05		3.7	2.11	9.3		
	1.41		2.0	2.81	6.1		
2.81	0.00	36.3	38.1	3.52	4.1		
	0.35		18.5	4.22	2.1		
	0.70		10.0	4.92			
	1.05		5.3	5.27	*(4.64)		
	1.41		3.2	0.00	87.3		
3.16	0.00	38.5	36.4	0.35	34.6		
	0.35		22.9	0.70	30.7		
	0.70		12.8	1.41	20.1		
	1.05		6.9	2.11	11.3		
	1.41		4.3	2.81	7.5		
3.52	0.00	40.5	39.5	3.52	5.3		
	0.35		23.4	4.22	3.6		
	0.70		15.2	4.92			
	1.05		8.3	5.62	*(5.13)		
	1.41		5.3	0.00	98.8		
4.22	0.00	44.4	56.8	0.35	37.6		
	0.07		27.5	0.70	34.5		
	0.14		21.3	1.41	24.9		
	0.21		10.8	2.11	13.4		
	0.28		7.7	2.81	10.1		
	0.35		4.1	3.52	7.9		
	0.49		3.1	4.22	5.4		
	0.56		1.4	4.92	4.6		
4.92	0.00	48.0	63.9	5.62	1.8		
	0.35		29.9	6.33			
	0.70		21.8	7.03	*(5.98)		
	1.05		14.1	0.00	98.8		
	1.41		10.6	0.35	37.6		
	2.11		6.0	0.70	34.5		
	2.81		3.6	1.41	24.9		
	3.16		2.5	2.11	13.4		
5.62	0.00	51.3	72.9	2.81	10.1		
	0.35		28.8	3.52	7.9		
	0.70		26.0	4.22	5.4		
	1.05		16.1	4.92	4.6		
	1.41		13.5	5.62	1.8		
	2.11		7.6	6.33			
	2.81		4.7	7.03	*(5.98)		
	3.52		2.9	0.00	98.8		
6.33	0.00	54.4	79.3	0.35	37.6		
	0.35		32.2	0.70	34.5		
	0.70		29.1	1.41	24.9		
	1.05		16.5	2.11	13.4		
	1.41		9.3	2.81	10.1		
	2.11		6.1	3.52	7.9		
	2.81		4.1	4.22	5.4		
	3.52		2.1	4.92	4.6		
7.03	0.00	57.3	87.3	5.62	1.8		
	0.35		34.6	6.33			
	0.70		30.7	7.03	*(5.98)		
	1.05		20.1	0.00	98.8		
	1.41		11.3	0.35	37.6		
	2.11		7.5	0.70	34.5		
	2.81		5.3	1.41	24.9		
	3.52		3.6	2.11	13.4		
8.44	0.00	62.8	98.8	2.81	10.1		
	0.35		37.6	3.52	7.9		
	0.70		34.5	4.22	5.4		
	1.41		24.9	4.92	4.6		
	2.11		13.4	5.62	1.8		
	2.81		10.1	6.33			
	3.52		7.9	7.03	*(5.98)		
	4.22		5.4	0.00	98.8		

Copyright© 2019 REV.04.2019

Mazzei Injector Company, LLC
 500 Rooster Drive, Bakersfield, CA 93307-9555 USA

TEL 661.363.6500 • FAX 661.363.7500 • www.mazzei.net

**NUMBERS IN PARENTHESIS indicate the injector outlet pressure when suction stops (Zero Suction Point).*