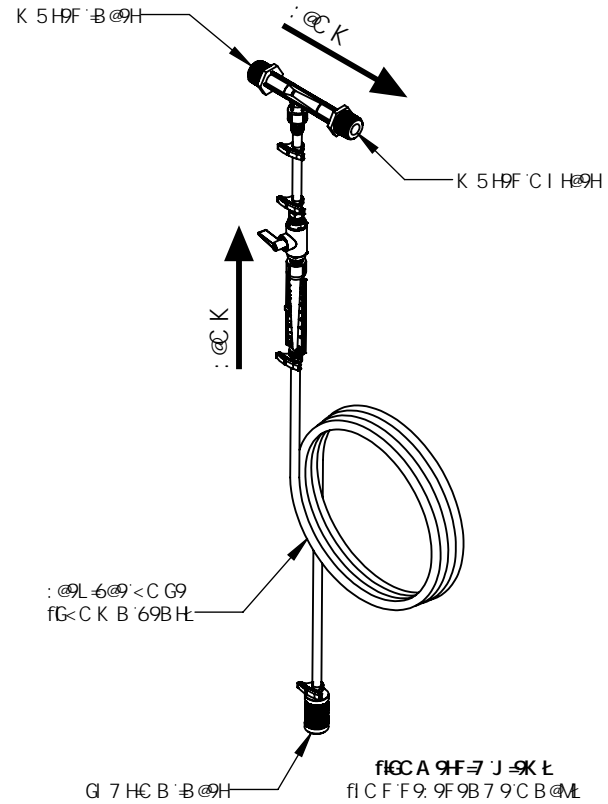



BC H9G

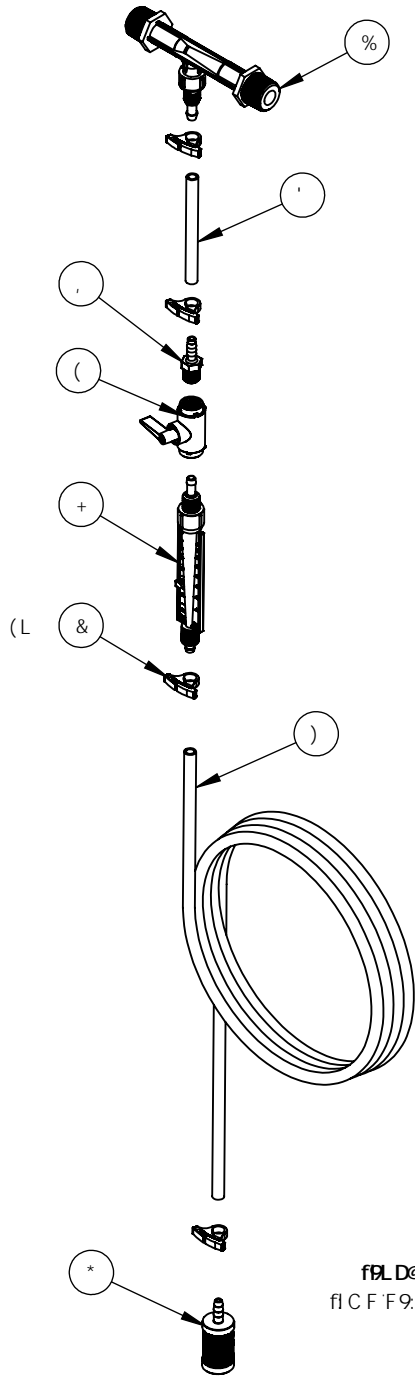
% :CF 'BGH@5HC B'F97 CA A 9B85HC BGF9: 9F HC
 A 5NN9=H7 <B 7 5@6I @9HBGBC"(ZBC")ZBC""*ZBC"
 %\$ 5B8 Bc""%ZK <7 < 7 5B 69: C I B8 5H
 K K K "A 5NN9=B 9H

&" -B>97 HC F / ' <C G9 65F6'7 5D'5F9'B7 @ 898"


F9J GCBG			
F9J "	89G7 F-DHC B	85H9	5DDFCJ 98
B7	F9@95G98 : C F 'G 6A #H@	* # #%	>"69BB 9HI
\$	I D85H98 'J 5@ 9	, #, #%+	>"K GCB
%	58898 : @C K A 9H9F	' #% #%	>"69BB 9HI



I B @GGC H: 9FK -G9 GD97 = 98 8-A 9BGC BG5F9'B 'B7 <9G			89G7 F-DHC B. 97 C B C A M? H: C F % # & " f % a a L'5B8' ' # (" f & \$ a L' B >97 HC FGK #k '\$), ('DD' B >97 HC F			
8F5K B.	H'>C <BG		8F5K B; 'BC". ?) , (!G			
85H9.	+ # & + # & \$ % *		GA9.	K 9 ÷ <H	G7 5 @.	F9J "
5DDFCJ 98.	H'>C <BG	5	B #5	%,	%	%C: &



fBL D@C 898 J -9K t
fI C F F9: 9F9B79CB@t

+PA : BC "	H#09	D5FHBI A 69F	89G7 F-DHC B	E HM		
%	-B >97 HC F	\$), ('DD	%#&"-B >97 HC F/\$), (!7 'DD	%		
&	7 @5A D	7 @5A D, &	D@5GH7 'H 69'7 @5A D	(
'	J -BM@H 6-B;	J H\$&)	%#(m="8 "1 " #, mC "8 "1 '& "\$m	%		
(J 5 @ 9	D6J)!(: !DD!9	65 @@J 5 @ 9Z) #/6 mC F = 7 9Z%#(mC B DHZDD' 9D8A	%		
)	J -BM@H 6-B;	J H\$&)	%#(m="8 "1 " #, mC "8 "1 '%\$: H' f7 C @98t	%		
*	GH5 -B 9F	G&) <6	GH5 -B 9F /G&) <6	%		
+	: @C K A 9HF	: !' \$ @	: @C K A 9HF z%#(m65 F 6z)!(\$; D<	%		
,	H5!&&)	H5!&&)	585DH9F z%#("A BDHL '65 F 6	%		
I B @GGC H-9FK @9 GD97 = 98 8-A 9BGC BG5F9-B 'B7 <9G				89G7 F-DHC B. 97 CBCA M? H: CF %#&"f@a a L'5B8' ' #("f&\$a L'-B >97 HC FGK +k '\$), ('DD' -B >97 HC F		
8F5K B.	H'>C <BG			8F5K B; 'BC". ?) , (!G		
85H9.	+ #&+ #&\$%*	GA9. 5	K 9= <H B #5	G7 5 @. %*	F9J ". %	G<99H &C: '&
5DDFC J98.	H'>C <BG					