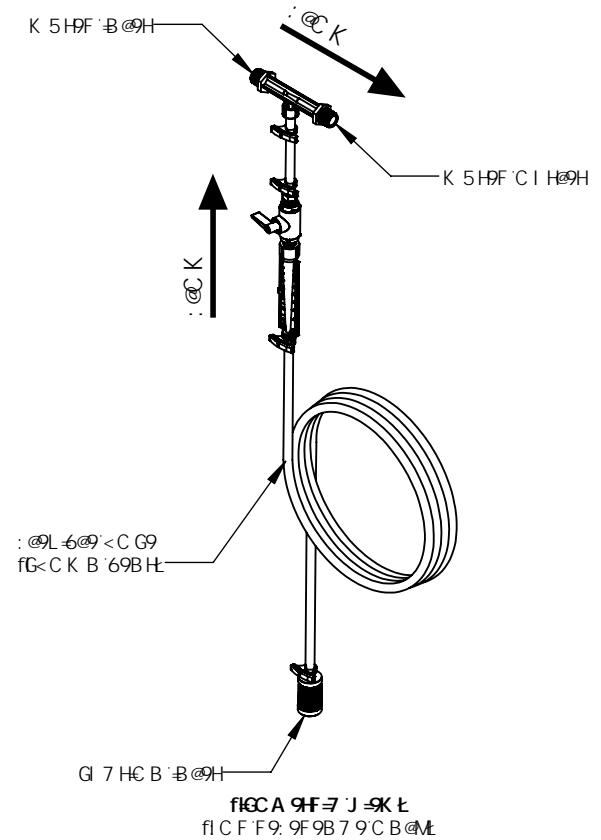



BC H9G

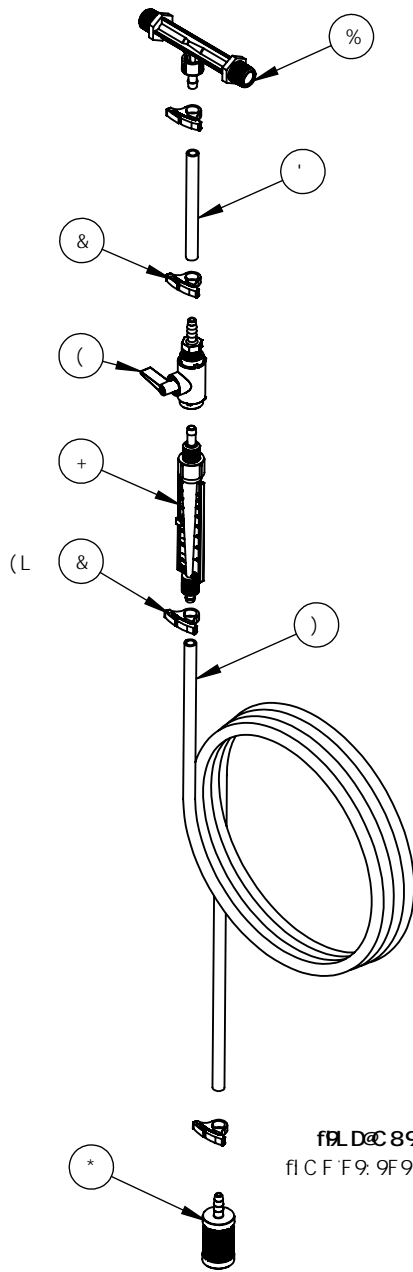
% :CF 'BGH @5 HC B 'F97 CA A 9B85HC BGF9: 9F HC '  
 A 5NN9=H7 <B 7 5@6I @9HBGBC" (ZBC") ZBC""\*ZBC"  
 %\$ 5B8 Bc""%ZK <7 < 7 5B 69: C I B8 5H  
 K K K "A 5NN9=B 9H

& "B >97 HC F / ' <C G9 65F6'7 5D'5F9'B7 @ 898"


F9J -G-CBG			
F9J "	89G7 F-DHC B	85H9	5DDFCJ 98
B7	F9@5G98 : C F G I 6A #B @	*#.#%@	>"69BB9HH
\$	I D85H98 'J 5 @ 9	, #.#%+	>"K -G C B
%	58898 : @ C K A 9H9F	' #% #%	>"69BB9HH



I B @GG C H: 9F K -G9 GD97 = 98 8-A 9BGC BG5F9'B 'B7 <9G			89G7 F-DHC B. 97 C B C A M? H: C F %#&"f% a a L'5B8' ' #("f&\$a a L'B >97 HC FGK #k '\$&, +DD' B >97 HC F		
8F5K B. H'>C <BG	85H9. +#&+#&\$%*		8F5K B; 'BC". ?&, +!G		
5DDFCJ 98. H'>C <BG	GA9. 5	K 9# <H B #5	G7 5 @. %,	F9J ". %	G<99H %C: '&



FILED@898'J-9K L  
 FILED@898'J-9K L

4PA BC"	H#	D5FHBI A 69F	89G7 F-DHC B	E HM
%	-B >97 HC F	\$&, + 'DD	%#&" -B >97 HC F / \$&, + DD	%
&	7 6A D	7 6A D, &	D 6GH7 'H 697 6A D	(
'	J -BM 6-B;	J H \$&)	%#( "8 "1 " #, "8 "1 ' & '\$\$mi	%
(	J 5 @ 9	D 6 J ) ! ( : ! DD ! 9	65 @ @ J 5 @ 9 Z ) # % " " C F = = 7 9 Z % # ( " " B D H Z DD ' 9D8A	%
)	J -BM 6-B;	J H \$&)	%#( "8 "1 " #, "8 "1 ' % \$ : ' H ' f7 C 6 98 L	%
*	GH 5 -B 9F	G & ) < 6	GH 5 -B 9F / G & ) < 6	%
+	: @ C K A 9H9F	: ! ' \$ @	: @ C K A 9H9F Z % # ( " " 65 F 6 Z ) ! ( \$ ; : D <	%
,	H 5 ! & & )	H 5 ! & & )	585DH9F Z % # ( " " A BDHL ' 65F6	%
I B @ GG C H : 9F K 69 GD97 = 98 8 -A 9B G C BG 5F 9 -B -B 7 < 9G				89G7 F-DHC B. 97 C B C A M ? H : C F % # & " " f l ) a a L ' 5 B 8 ' # ( " " f & \$ a a L ' -B >97 HC FGK + k ' \$ &, + ' DD ' -B >97 HC F
8F5K B.	H ' > C < B G			8F5K B ; ' B C " .
85H9.	+ # & + # & \$ % *	G A 9 . 5		K 9 ÷ < H B # 5
5DDFC J 98.	H ' > C < B G	G 7 5 @ . % *	F 9 J " . %	G < 99H & C : ' &