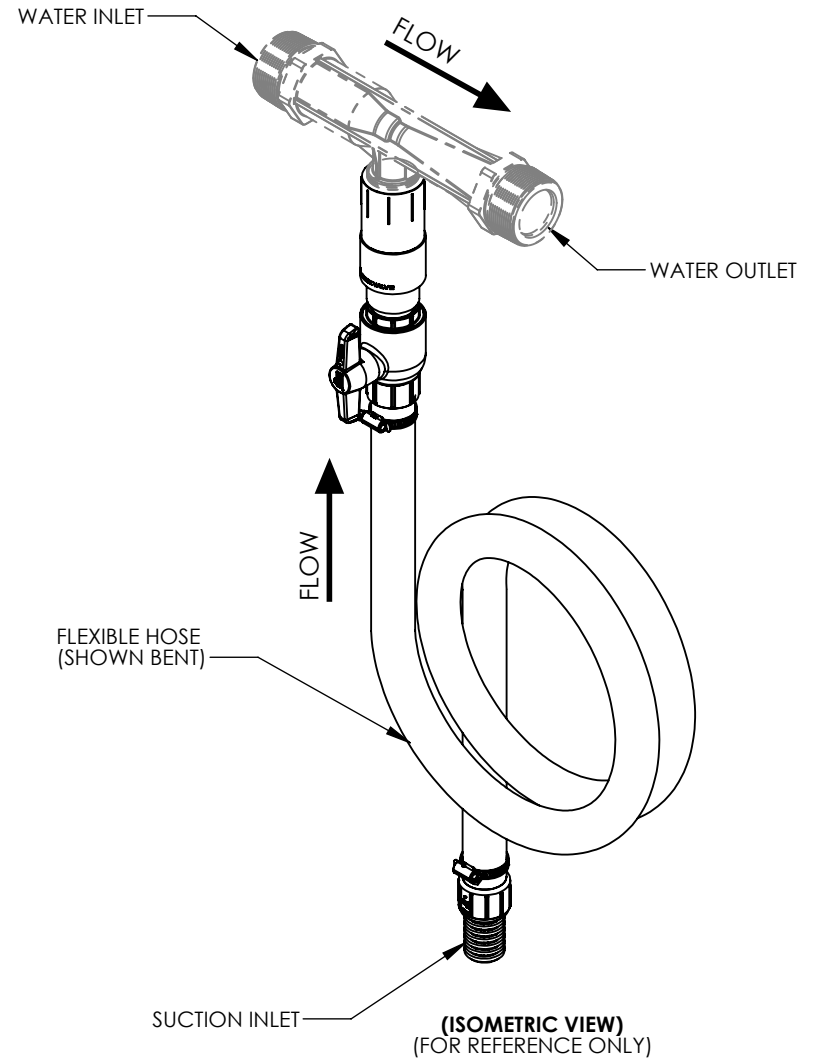
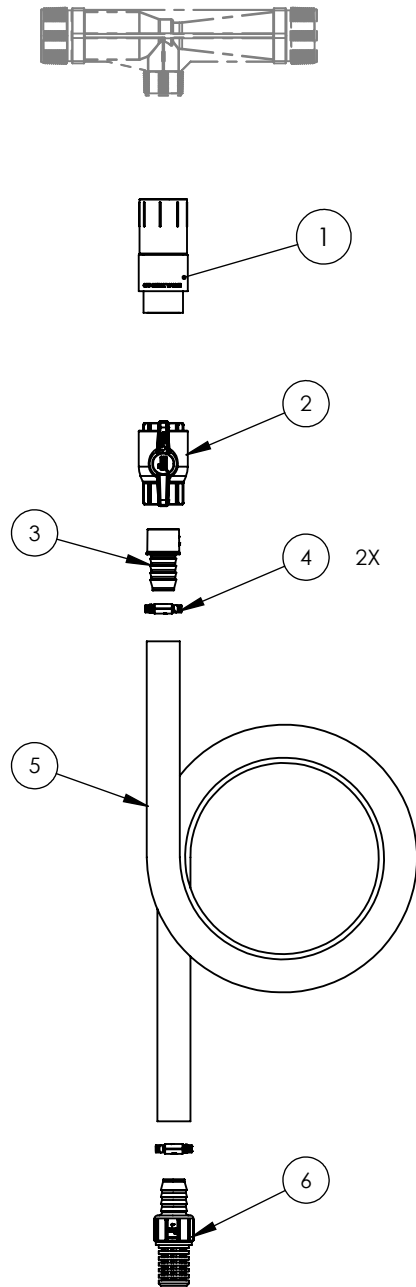


NOTES:

1. FOR INSTALLATION RECOMMENDATIONS REFER TO MAZZEI TECHNICAL BULLETINS No. 4, 5, 6, 10, AND 11, WHICH CAN BE FOUND IN THE "KNOWLEDGE CENTER" AT WWW.MAZZEI.NET.
2. INJECTOR & HOSE BARB CAP NOT INCLUDED WITH SUCTION KIT.



UNLESS OTHERWISE SPECIFIED DIMENSIONS ARE IN INCHES			DESCRIPTION: 2" INJECTOR ECONOMY SUCTION LINE KIT		
DRAWN: J. PEREZ	DATE: 5/21/2015		DRAWING NO.: KR282		
APPROVED: J. BENNETT	SIZE: A	WEIGHT: N/A	SCALE: 1:6	REV.: A	SHEET: 1 OF 2



(EXPLODED VIEW)  
(FOR REFERENCE ONLY)

ITEM NO.	TITLE	PART NUMBER	DESCRIPTION	QTY.
1	VALVE	C75-CVA	1-1/4" CHECK VALVE	1
2	VALVE	2622-010	UTILITY PVC BALL VALVE, 1", SOC EPDM	1
3	INSERT	460-010G	ADAPTER, 1", SPIG X INSERT	1
4	CLAMP	13H-16	STAINLESS HOSE CLAMP, 1" #16	2
5	VINYL TUBING	VT-010	1" I.D. x 1-3/8" O.D. x 6 FT. (COILED)	1
6	STRAINER	S-87	PVC STRAINER	1

UNLESS OTHERWISE SPECIFIED  
DIMENSIONS ARE IN INCHES

DRAWN: J. PEREZ  
DATE: 5/21/2015  
APPROVED: J. BENNETT



SIZE: **A**  
WEIGHT: N/A

DESCRIPTION:  
2" INJECTOR ECONOMY SUCTION  
LINE KIT

DRAWING NO.: KR282

SCALE: 1:8  
REV.: A  
SHEET: 2 OF 2