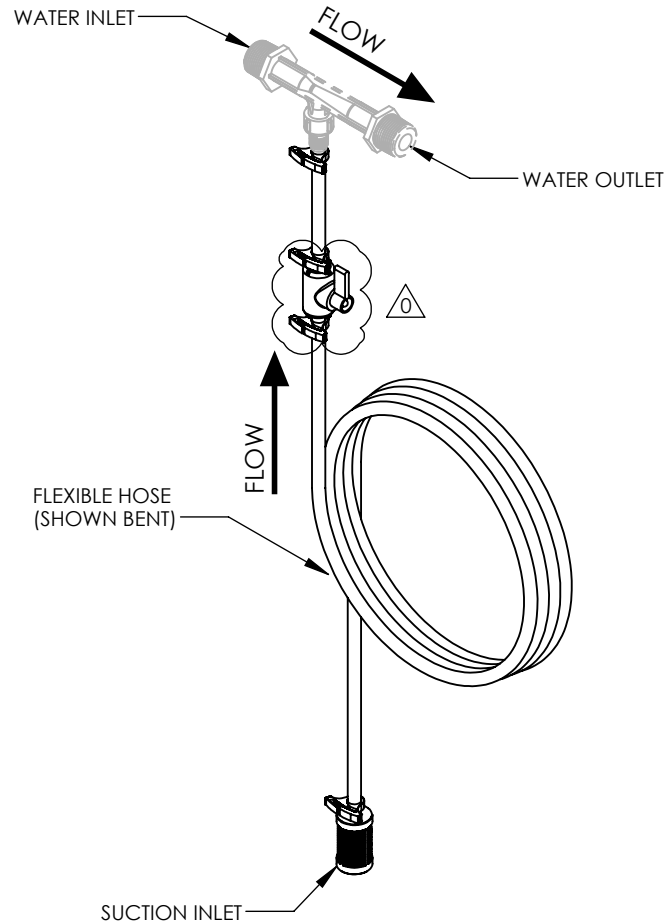


NOTES:

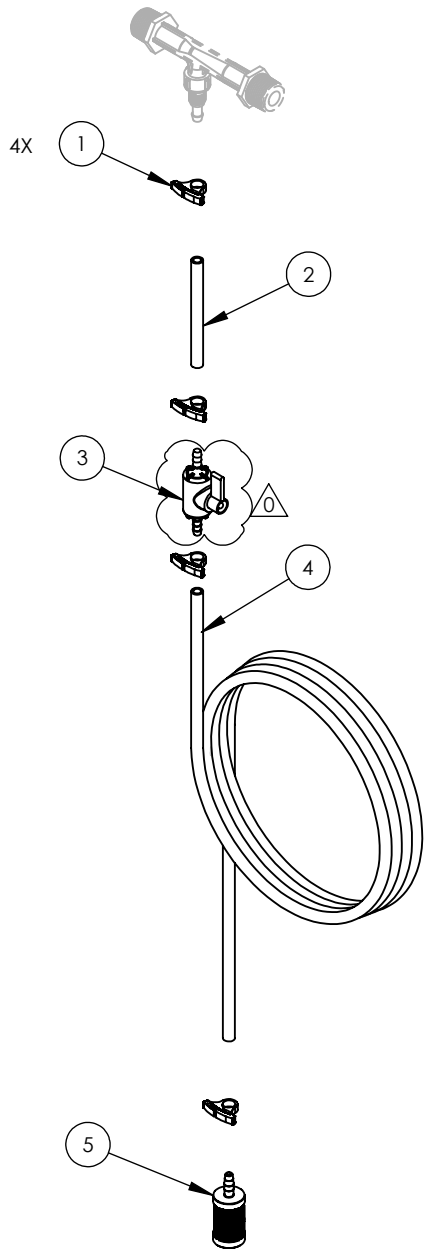
1. FOR INSTALLATION RECOMMENDATIONS REFER TO MAZZEI TECHNICAL BULLETINS No. 4, No. 5, No. 6, No. 10 AND No. 11, WHICH CAN BE FOUND AT WWW.MAZZEI.NET.
2. INJECTOR & HOSE BARB CAP NOT INCLUDED WITH SUCTION KIT.

REVISIONS			
REV.	DESCRIPTION	DATE	APPROVED
NC	RELEASED FOR SUBMITTAL	5/21/15	J. BENNETT
0	UPDATED VALVE	8/8/2017	J. WILSON




(ISOMETRIC VIEW)
(FOR REFERENCE ONLY)

UNLESS OTHERWISE SPECIFIED DIMENSIONS ARE IN INCHES			DESCRIPTION: 1/2" AND 3/4" INJECTOR SUCTION LINE KIT			
DRAWN: J. PEREZ	DATE: 5/21/2015		DRAWING NO.: K-184			
APPROVED: T. JOHNS	SIZE: A	WEIGHT: N/A	SCALE: 3:16	REV.: 0	SHEET: 1 OF 2	



(EXPLODED VIEW)
(FOR REFERENCE ONLY)

ITEM NO.	TITLE	PART NUMBER	DESCRIPTION	QTY.
1	CLAMP	CLAMP#23	PLASTIC TUBE CLAMP	4
2	VINYL TUBING	VT-025	1/4" I.D. x 3/8" O.D. x 2.00"	1
3	VALVE	MV-25A	PP METERING VALVE	1
4	VINYL TUBING	VT-025	1/4" I.D. x 3/8" O.D. x 10 FT. (COILED)	1
5	STRAINER	S-25HB	STRAINER; S-25HB	1

UNLESS OTHERWISE SPECIFIED DIMENSIONS ARE IN INCHES			DESCRIPTION: 1/2" AND 3/4" INJECTOR SUCTION LINE KIT		
DRAWN:	J. PEREZ		DRAWING NO.:		
DATE:	5/21/2015	K-184			
APPROVED:	T. JOHNS	SIZE: A	WEIGHT: N/A	SCALE: 1:6	REV.: 0
		SHEET: 2 OF 2			