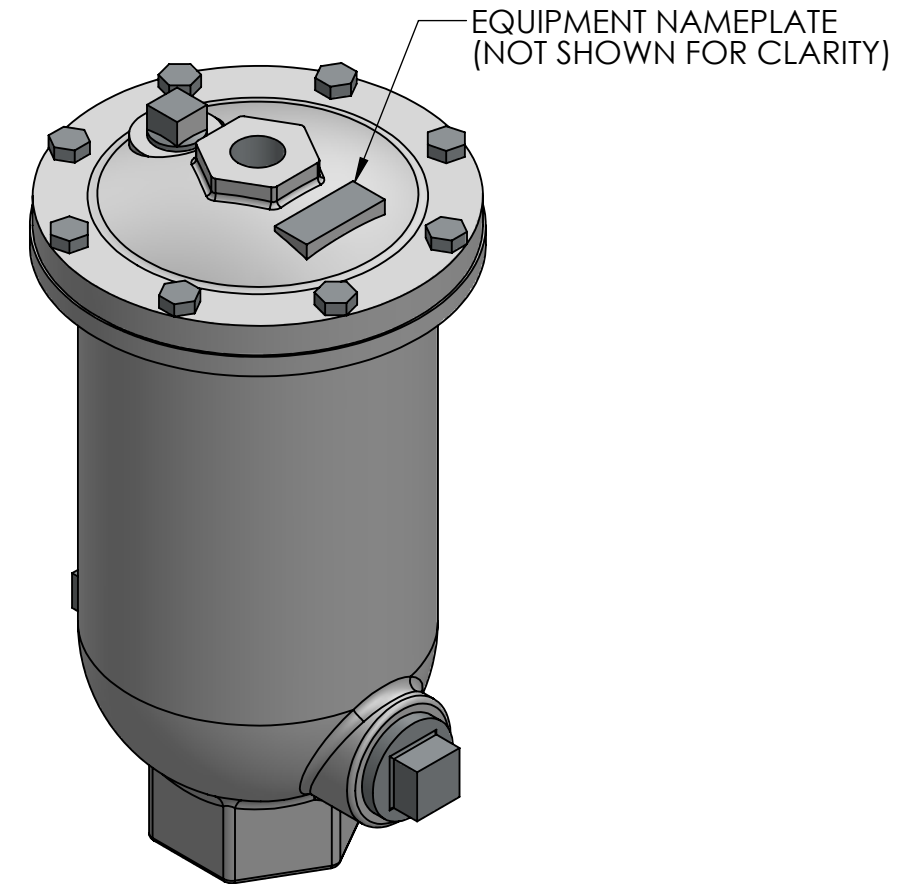


NOTES:

1. MATERIAL(S) OF CONSTRUCTION:
 - A. BODY: STAINLESS STEEL, GRADE CF8M
 - B. COVER: STAINLESS STEEL, GRADE CF8M
 - C. FLOAT & LINKAGE ASSEMBLIES: STAINLESS STEEL, TYPE 316L
 - D. ORIFICE BUTTON: KEL-F
 - E. HARDWARE: STAINLESS STEEL, TYPE 316L
 - F. GASKET: 1/16" THK. PTFE
2. PRIMARY CONNECTION TYPES(S):
 - A. INLET CONNECTION: 2.00 - FEMALE NATIONAL PIPE THREAD (FNPT); ANSI B1.20.1
 - B. OUTLET CONNECTION: 1.00 - FEMALE NATIONAL PIPE THREAD (FNPT); ANSI B1.20.1
3. APPROXIMATE WEIGHT(S):
 - A. EMPTY: 49 LBS (22.2 KGS)
4. PERFORMANCE DATA:
 - A. GAS RELEASE VALUES AS STATED BY MANUFACTURER, REFERENCE: http://www.valmatic.com/drawings/SS-461_3-4-13.pdf FOR FULL PERFORMANCE DATA RANGES.
 - B. ORIFICE DIAMETER: 1/2"
 - C. COLD WORKING PRESSURE:
 - i. MINIMUM: 5 PSIG (BELOW THIS VALUE, THE ORIFICE SEAT MAY NOT SEAL CORRECTLY CAUSING PREMATURE GAS/LIQUID RELEASES)
 - ii. MAXIMUM: 75 PSIG
5. PRODUCT FINISH:
 - A. PASSIVATED PER ASTM GUIDELINES
6. PRODUCT TESTING: (EITHER OPTION IS CHOSEN AT MAZZEI'S DISCRETION)
 - A. HYDROSTATIC TEST PRESSURE: 1.5X CWP OR 150 PSIG (WHICHEVER IS GREATER)
 - B. DYE PENETRANT TESTING PER ASME B31.3, NORMAL SERVICE, GUIDELINES
7. MISCELLANEOUS:
 - A. VALVE IS DESIGNED AND ENGINEERED BY OTHERS
8. REFERENCE:
 - A. SEE DRAWING NO. VMC-49AS; DATE 5-2-14


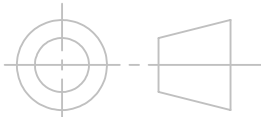
REVISIONS			
REV.	DESCRIPTION	DATE	APPROVED
A	RELEASED FOR SUBMITTAL.	5/4/18	J. BENNETT

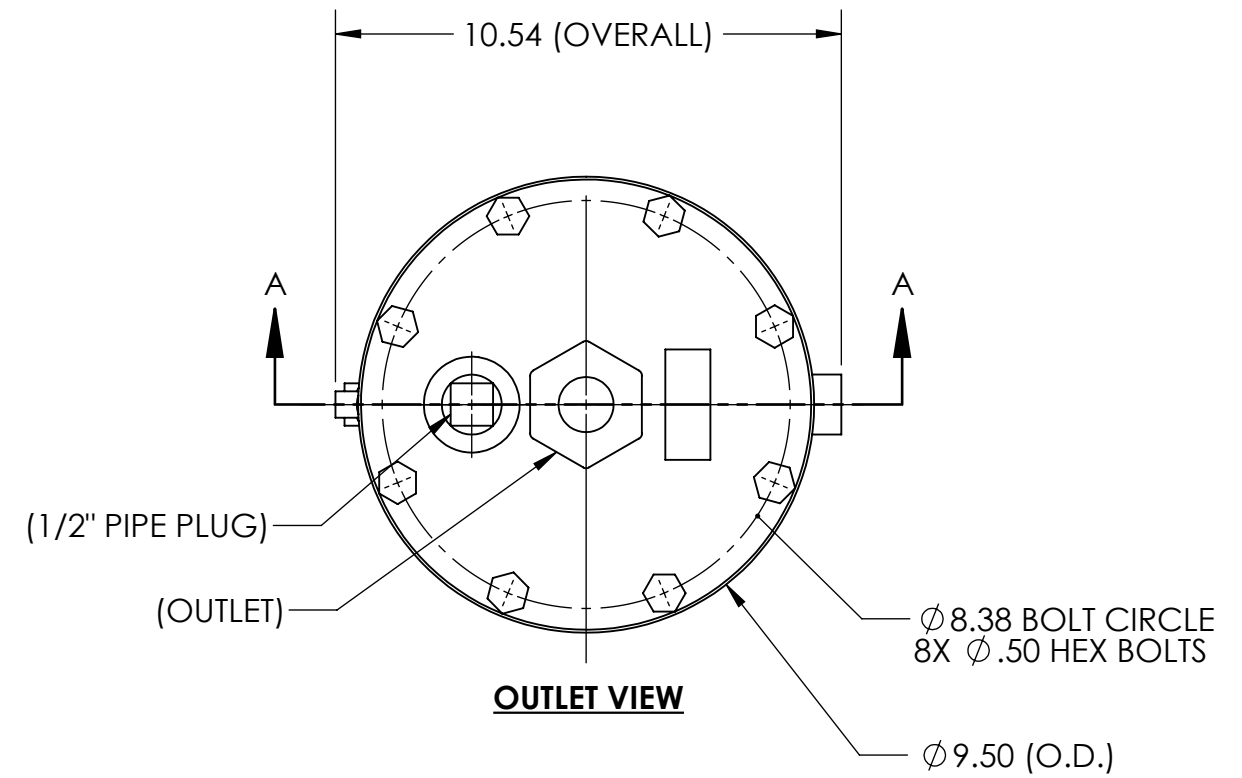
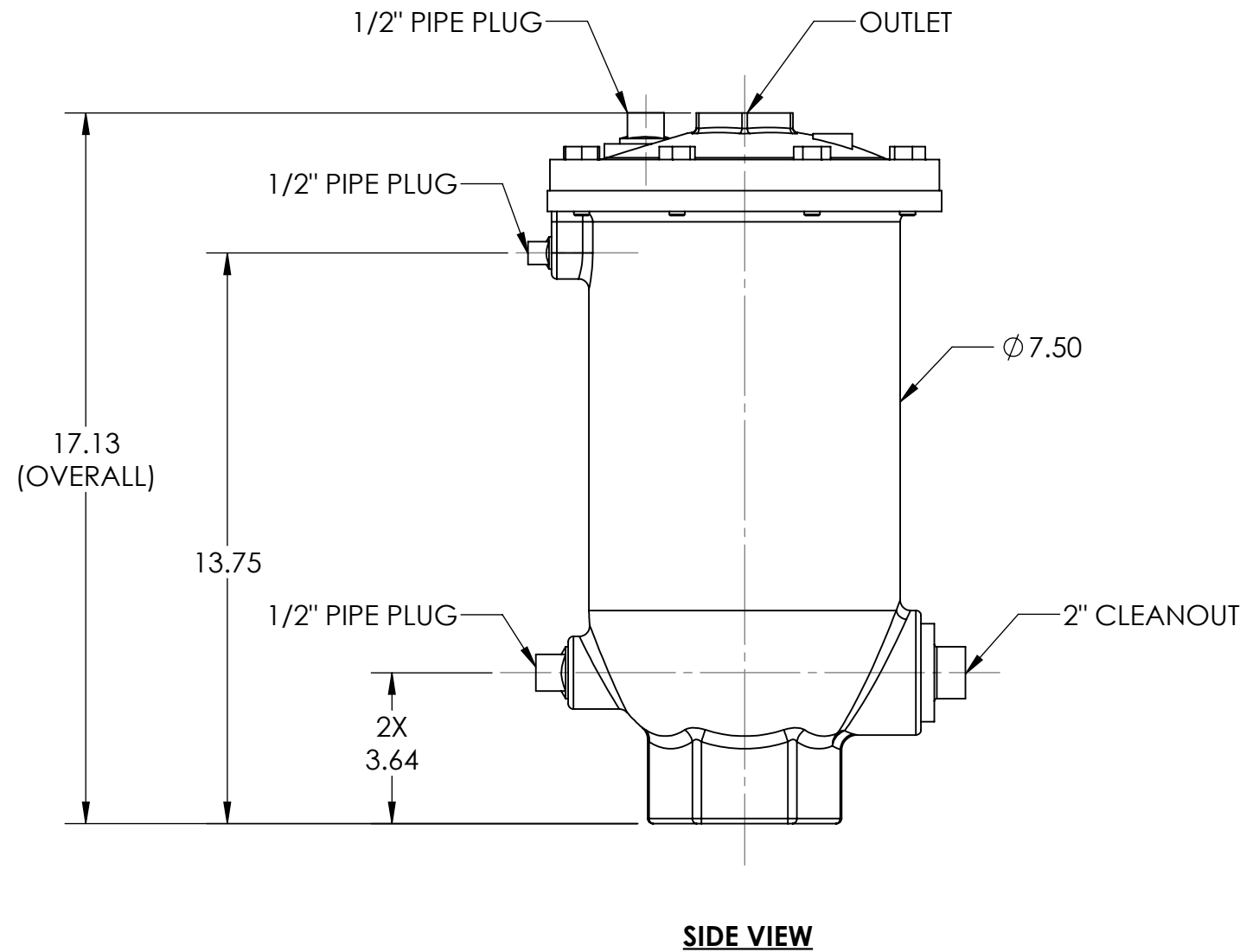
**APPROVED
RELEASED FOR SUBMITTAL**




ISOMETRIC VIEW

SUBMITTAL DRAWING

SUBMITTAL NOTICE	CONFIDENTIALITY NOTICE	UNLESS OTHERWISE SPECIFIED DIM ARE IN INCHES TOL ON ANGLE ± .50° 2 PL ± .06 3 PL ± .030 INTERPRET DIM AND TOL PER ASME Y14.5M-1994	APPROVALS	DATE	 MAZZEI INJECTOR CO., LLC 500 ROOSTER DRIVE BAKERSFIELD, CA 93307 PHONE: (661) 363-6500 FAX: (661)363-7500 WWW.MAZZEI.NET
ANY RECOMMENDATIONS FOR PRODUCT AND/OR SYSTEM DESIGN, WHETHER CONTAINED IN A DOCUMENT, WITHIN THIS DRAWING, COMMUNICATED BY ELECTRONIC MEANS OR GIVEN VERBALLY, ARE INTENDED SOLELY AS GUIDELINES TO ACTUAL SYSTEM DESIGN. SAID RECOMMENDATIONS ARE BASED UPON INFORMATION SUPPLIED BY OTHERS, THE ACCURACY OF WHICH IS BEYOND VERIFICATION BY MAZZEI INJECTOR CO. LLC. THEREFORE MAZZEI CANNOT AND DOES NOT WARRANT THE SUITABILITY OF ITS PRODUCTS FOR A PARTICULAR SERVICE NOR THE PERFORMANCE OF ANY SYSTEM CONTAINING COMPONENTS MADE OR SOLD BY MAZZEI.	THE INFORMATION CONTAINED IN THIS DRAWING IS THE SOLE PROPERTY OF MAZZEI INJECTOR COMPANY LLC. ANY REPRODUCTION IN PART OR AS A WHOLE WITHOUT THE WRITTEN PERMISSION OF MAZZEI IS STRICTLY PROHIBITED.	THIRD ANGLE PROJECTION 	DRAWN: J. MARASIGAN	4/3/2018	
			CHECKED: F. FLORES	5/4/2018	
			APPROVED: J. BENNETT	5/4/2018	
			QA: -		
			CUSTOMER APPROVAL: -		
			CUSTOMER: N/A		
	DRAWING MAY NOT BE PRINTED FULL SIZE DO NOT SCALE				SIZE: B JOB NO.: N/A DRAWING NUMBER: DRV49CHHFF00-SUB REV: A SCALE: NONE WEIGHT: 49 LBS SHEET: 1 OF 3

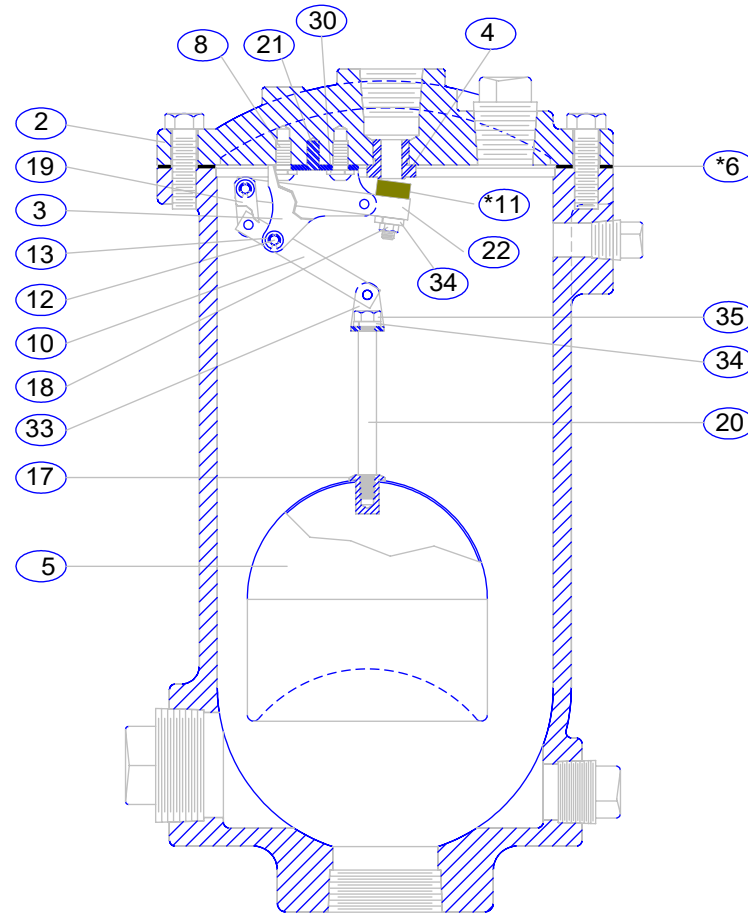


APPROVED
RELEASED FOR SUBMITTAL

 MAZZEI INJECTOR CO., LLC 500 ROOSTER DRIVE BAKERSFIELD, CA 93307 PHONE: (661) 363-6500 FAX: (661)363-7500 WWW.MAZZEI.NET		DESCRIPTION:	
		DEGAS RELIEF VALVE	
SIZE:	JOB NO.:	DRAWING NUMBER:	REV:
B	N/A	DRV49CHHFF00-SUB	A
SCALE:	WEIGHT:	SHEET:	
1:4	49 LBS	2 OF 3	

NOTES:

1. PARTS LISTED BELOW PROVIDE COMMON PARTS WHICH NEED REPLACING, USUALLY FROM WEAR AND TEAR. IF ADDITIONAL SPARE PARTS ARE REQUIRED, BEYOND WHAT IS OFFERED, A WHOLE UNITE PROCUREMENT IS REQUIRED.
2. THE CONTENTS OF THE SPARE PARTS KIT CAN VARY FROM MODEL TO MODEL AND CAN CHANGE WITHOUT NOTICE.



SECTION A-A
(SEE SHEET 2)

SPARE PARTS KIT (COMPLETE)

MAZZEI PN# DRV49CRV&FLT

- | | |
|-------------------|-----------------------|
| 2 COVER | 17 FLOAT RETAINER |
| 3 LEVER FRAME | 18 LOCK NUT |
| 4 SEAT | 19 LINK |
| 5 FLOAT | 20 EXTENSION SHAFT |
| 6 GASKET | 21 LOCATING PIN |
| 8 RETAINING SCREW | 22 ORIFICE BUTTON ARM |
| 10 FLOAT ARM | 30 LOCK WASHER |
| 11 ORIFICE BUTTON | 33 CLEVIS |
| 12 PIVOT PIN | 34 LOCK WASHER |
| 13 RETAINING RING | 35 RETAINING SCREW |

REFERENCE: (VAL-MATIC PN# SPK4-49AX005)

NOTE: CUSTOMER TO SPECIFY WHICH CWP (75 OR 150) AT TIME OF ORDER

SPARE PARTS KIT (PARTIAL)

MAZZEI PN# SPK1-49AX

- | | |
|-------------------|-----------------------|
| 3 LEVER FRAME | 17 FLOAT RETAINER |
| 4 SEAT | 18 LOCK NUT |
| 5 FLOAT | 19 LINK |
| 6 GASKET | 20 EXTENSION SHAFT |
| 8 RETAINING SCREW | 21 LOCATING PIN |
| 10 FLOAT ARM | 22 ORIFICE BUTTON ARM |
| 11 ORIFICE BUTTON | 30 LOCK WASHER |
| 12 PIVOT PIN | 33 CLEVIS |
| 13 RETAINING RING | 34 LOCK WASHER |
| | 35 RETAINING SCREW |

REFERENCE: (VAL-MATIC PN# SPK4-49AX002)

NOTE: CUSTOMER TO SPECIFY WHICH CWP (75 OR 150) AT TIME OF ORDER

SPARE PARTS KIT (MISC.)

MAZZEI PN# DRV49GSKT-M

- 6 GASKET

REFERENCE: (VAL-MATIC PN# P102-6)

SPARE PARTS KIT (MISC.)

MAZZEI PN# DRV49BUTN-O

- 11 ORIFICE BUTTON

REFERENCE: (VAL-MATIC PN# A45-11X001)

APPROVED
RELEASED FOR SUBMITTAL



MAZZEI INJECTOR CO., LLC

500 ROOSTER DRIVE BAKERSFIELD, CA 93307
PHONE: (661) 363-6500 FAX: (661)363-7500
WWW.MAZZEI.NET

DESCRIPTION: **DEGAS RELIEF VALVE**

SIZE: B	JOB NO.: N/A	DRAWING NUMBER: DRV49CHHFF00-SUB	REV: A
SCALE: NONE	WEIGHT: 49 LBS	SHEET: 3 OF 3	