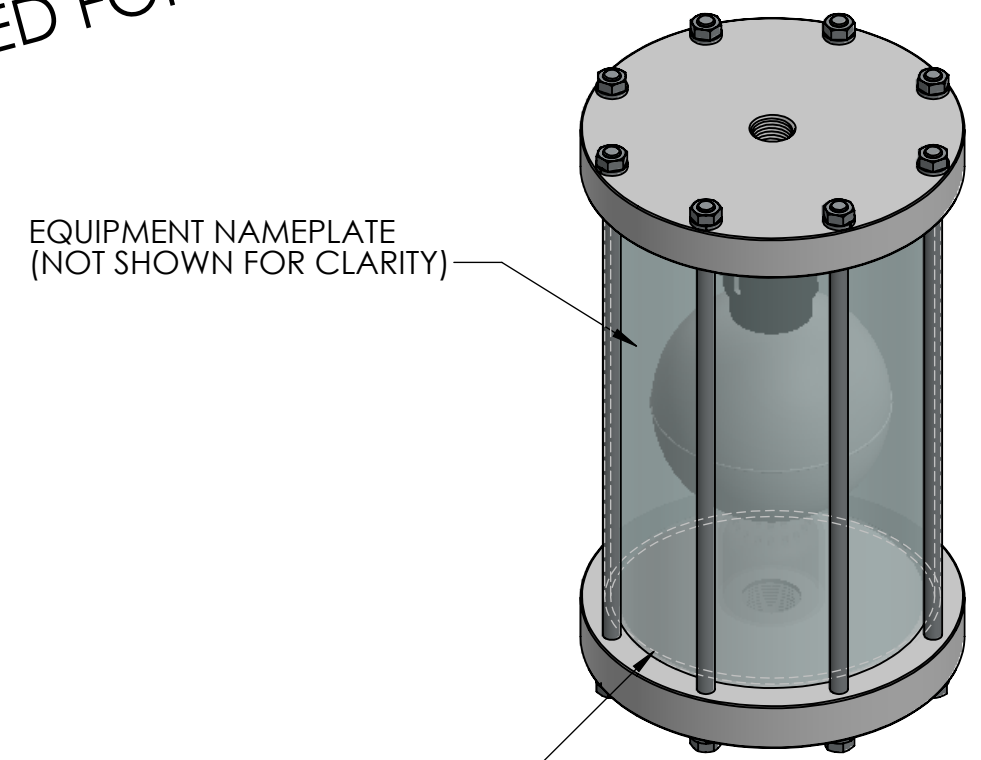


NOTES:

1. MATERIAL(S) OF CONSTRUCTION:
 - A. BODY: PVC, SCH. 40
 - B. FLOAT & PLUNGER: TEFLON COATED STAINLESS STEEL, TYPE 304
 - C. ORIFICE BUTTON / O-RINGS: VITON
 - D. HARDWARE: STAINLESS STEEL, TYPE 18-8
2. PRIMARY CONNECTION TYPES(S):
 - A. INLET CONNECTION: 1.00 - FEMALE NATIONAL PIPE THREAD (FNPT); ANSI B1.20.1
 - B. OUTLET CONNECTION: 0.50 - FEMALE NATIONAL PIPE THREAD (FNPT); ANSI B1.20.1
3. APPROXIMATE WEIGHT(S):
 - A. EMPTY: 20.5 LBS (9.3 KGS)
4. PERFORMANCE DATA:
 - A. GAS RELEASE VALUES AS STATED BY MANUFACTURER, REFERENCE: <http://www.ozonewatersystems.com/rv1/> FOR FULL PERFORMANCE DATA RANGES.
 - B. ORIFICE DIAMETER: 1/8"
 - C. COLD WORKING PRESSURE:
 - i. MINIMUM: 5 PSIG (BELOW THIS VALUE, THE ORIFICE SEAT MAY NOT SEAL CORRECTLY CAUSING PREMATURE GAS/LIQUID RELEASES)
 - ii. MAXIMUM: 50 PSIG
5. PRODUCT FINISH:
 - A. FACTORY FINISH
6. MISCELLANEOUS:
 - A. VALVE IS DESIGNED AND ENGINEERED BY OTHERS

REVISIONS			
REV.	DESCRIPTION	DATE	APPROVED
A	RELEASED FOR SUBMITTAL.	5/4/18	J. BENNETT

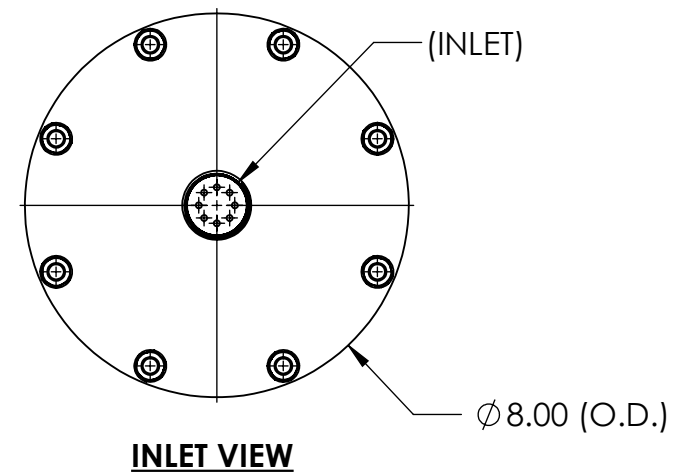
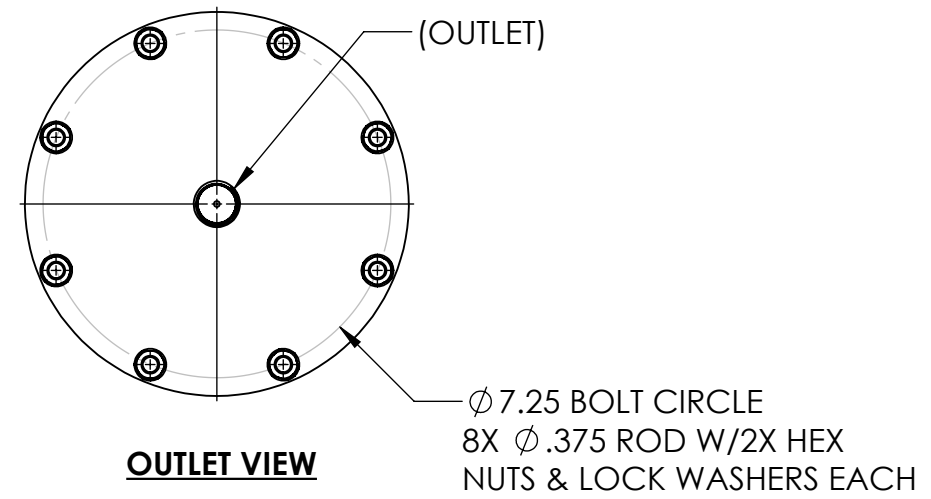
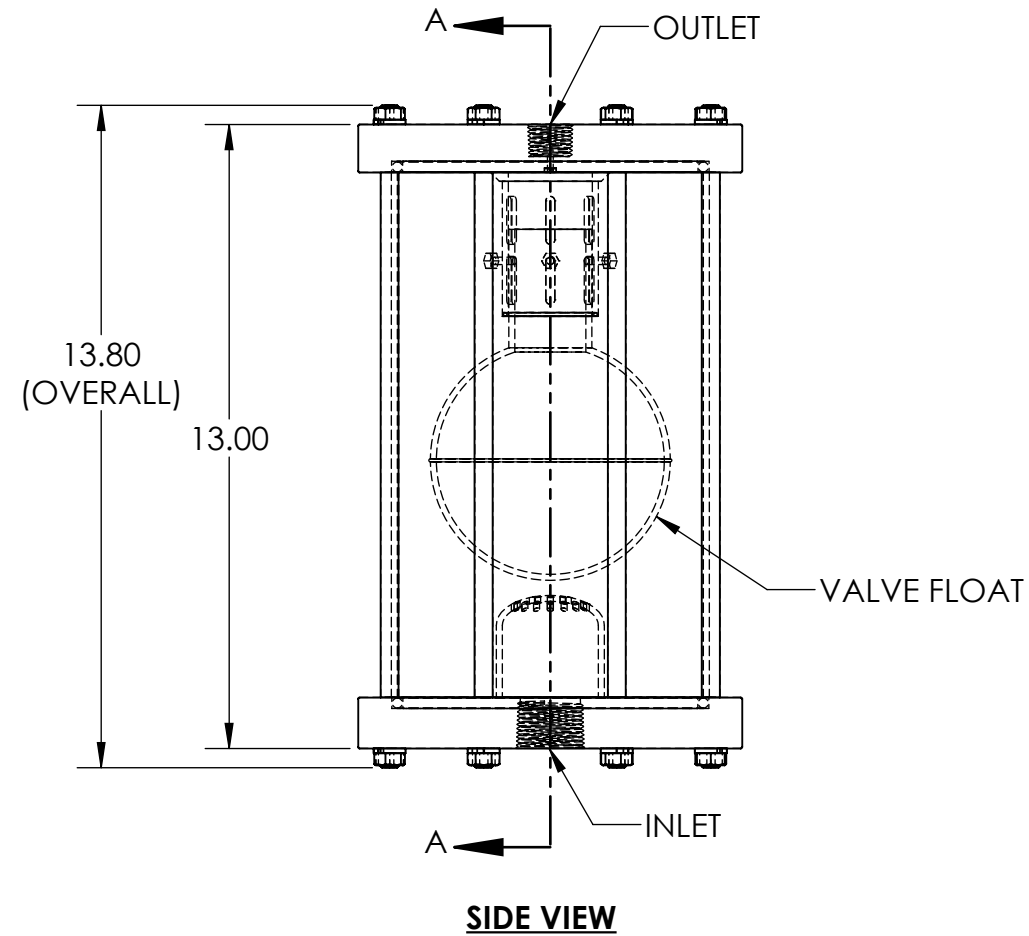
APPROVED
RELEASED FOR SUBMITTAL




ISOMETRIC VIEW

SUBMITTAL DRAWING

SUBMITTAL NOTICE	CONFIDENTIALITY NOTICE	UNLESS OTHERWISE SPECIFIED DIM ARE IN INCHES TOL ON ANGLE $\pm .50^\circ$ 2 PL $\pm .06$ 3 PL $\pm .030$ INTERPRET DIM AND TOL PER ASME Y14.5M-1994	APPROVALS	DATE		MAZZEI INJECTOR CO., LLC 500 ROOSTER DRIVE BAKERSFIELD, CA 93307 PHONE: (661) 363-6500 FAX: (661)363-7500 WWW.MAZZEI.NET		
ANY RECOMMENDATIONS FOR PRODUCT AND/OR SYSTEM DESIGN, WHETHER CONTAINED IN A DOCUMENT, WITHIN THIS DRAWING, COMMUNICATED BY ELECTRONIC MEANS OR GIVEN VERBALLY, ARE INTENDED SOLELY AS GUIDELINES TO ACTUAL SYSTEM DESIGN. SAID RECOMMENDATIONS ARE BASED UPON INFORMATION SUPPLIED BY OTHERS, THE ACCURACY OF WHICH IS BEYOND VERIFICATION BY MAZZEI INJECTOR CO., LLC. THEREFOR MAZZEI CANNOT AND DOES NOT WARRANT THE SUITABILITY OF ITS PRODUCTS FOR A PARTICULAR SERVICE NOR THE PERFORMANCE OF ANY SYSTEM CONTAINING COMPONENTS MADE OR SOLD BY MAZZEI.	THE INFORMATION CONTAINED IN THIS DRAWING IS THE SOLE PROPERTY OF MAZZEI INJECTOR COMPANY LLC. ANY REPRODUCTION IN PART OR AS A WHOLE WITHOUT THE WRITTEN PERMISSION OF MAZZEI IS STRICTLY PROHIBITED.		DRAWN: J. MARASIGAN	4/3/2018		DEGAS RELIEF VALVE		
		THIRD ANGLE PROJECTION	CHECKED: F. FLORES	5/4/2018	SIZE: B			JOB NO.: N/A
	DRAWING MAY NOT BE PRINTED FULL SIZE DO NOT SCALE		APPROVED: J. BENNETT	5/4/2018	SCALE: NONE	WEIGHT: 20.5 LBS	SHEET: 1 OF 3	
			QA: -					
			CUSTOMER APPROVAL: -					
			CUSTOMER: N/A					

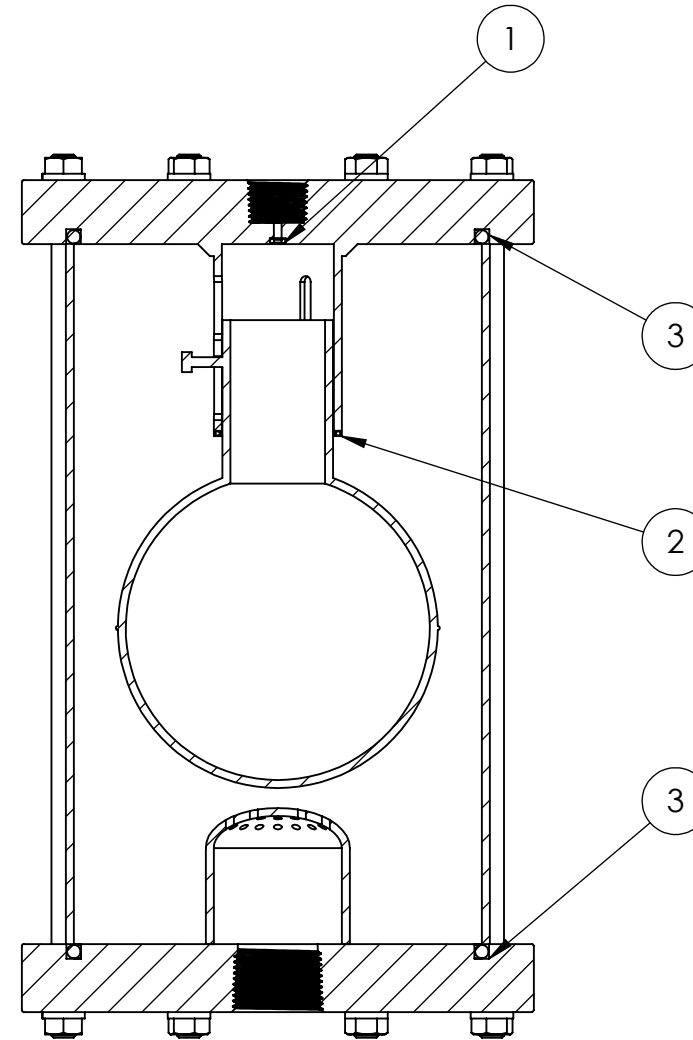


APPROVED
RELEASED FOR SUBMITTAL

		MAZZEI INJECTOR CO., LLC 500 ROOSTER DRIVE BAKERSFIELD, CA 93307 PHONE: (661) 363-6500 FAX: (661)363-7500 WWW.MAZZEI.NET	
		TITLE: DEGAS RELIEF VALVE	
SIZE: B	JOB NO.: N/A	DRAWING NUMBER: DRV07ABLFFNN-SUB	REV: A
SCALE: 1:4	WEIGHT: 20.5 LBS	SHEET: 2 OF 3	

NOTES:

1. PARTS LISTED BELOW PROVIDE COMMON PARTS WHICH NEED REPLACING, USUALLY FROM WEAR AND TEAR. IF ADDITIONAL SPARE PARTS ARE REQUIRED, BEYOND WHAT IS OFFERED, A WHOLE UNITE PROCUREMENT IS REQUIRED.
2. THE CONTENTS OF THE SPARE PARTS KIT CAN VARY FROM MODEL TO MODEL AND CAN CHANGE WITHOUT NOTICE.



SECTION A-A
(SEE SHEET 2)

SPARE PARTS KIT
MAZZEI PN# SPK1-07A

- 1 (1) O-RING, ORIFICE (McMASTER CARR #9464K11)
- 2 (1) O-RING, FLOAT (McMASTER CARR #9464K78)
- 3 (2) O-RING, FLANGE (McMASTER CARR #9464K623)

MATERIAL: VITON, ASTM D2000

APPROVED
RELEASED FOR SUBMITTAL



MAZZEI INJECTOR CO., LLC

500 ROOSTER DRIVE BAKERSFIELD, CA 93307
PHONE: (661) 363-6500 FAX: (661)363-7500
WWW.MAZZEI.NET

DESCRIPTION:

DEGAS RELIEF VALVE

SIZE: B	JOB NO.: N/A	DRAWING NUMBER: DRV07ABLFFNN-SUB	REV: A
SCALE: NONE	WEIGHT: 20.5 LBS	SHEET: 3 OF 3	