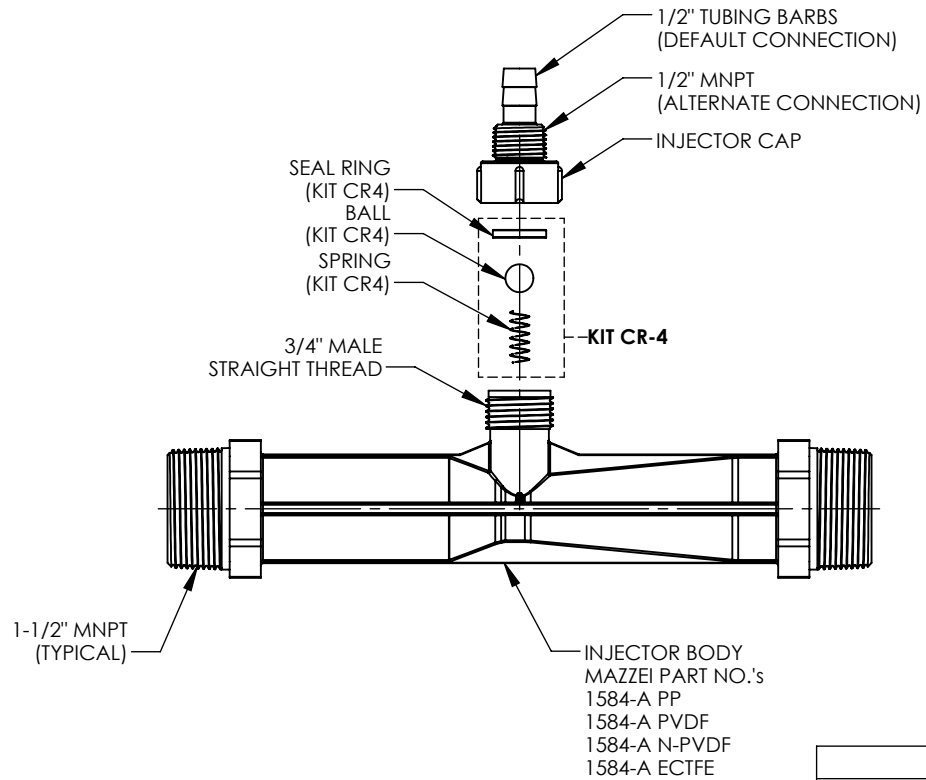


NOTES:

1. MADE IN THE U.S.A.
2. U.S. PATENT No. 5,863,128
3. U.S. No. 3,852,076 AND INTERNATIONAL REGISTERED TRADEMARKS
4. MATERIAL: GLASS FILLED POLYPROPYLENE (PP) OR POLYVINYLIDENE FLUORIDE (PVDF) OR NATURAL POLYVINYLIDENE FLUORIDE (N-PVDF) OR ETHYLENE CHLOROTRIFLUOROETHYLENE (ECTFE).
5. INLET/OUTLET CONNECTION:
1 1/2" MNPT
6. SUCTION PORT CONNECTION:

DEFAULT - 1/2" I.D. TUBING BARB WITH INTEGRATED CHECK VALVE

ALTERNATE - 1/2" MNPT - SEE ALTERNATE CAP MODIFICATION DETAIL
7. FOR INSTALLATION RECOMMENDATIONS REFER TO MAZZEI TECHNICAL BULLETINS No. 4, No. 5, No. 6, No. 10 AND No. 11, WHICH CAN BE FOUND AT WWW.MAZZEI.NET.
8. MAZZEI INJECTOR CO., LLC.
500 ROOSTER DR.
BAKERSFIELD, CA 93307
TEL: 661.363.6500
WEB: WWW.MAZZEI.NET

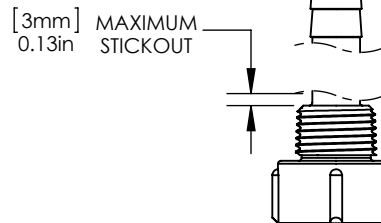


INJECTOR BODY
MAZZEI PART NO.'s
1584-A PP
1584-A PVDF
1584-A N-PVDF
1584-A ECTFE

KIT CR-4

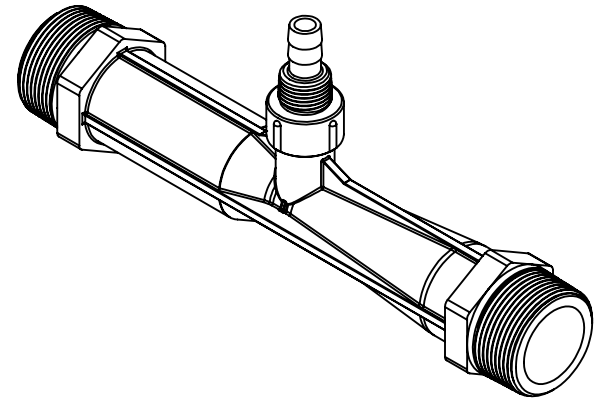
TITLE	MATERIAL
BALL	TEFLON @ (PTFE)
SEAL RING	KEL-F @ (PCTFE)
SPRING	HASTELLOY C-22

REMOVE HOSE BARBS FROM CAP AND DISCARD

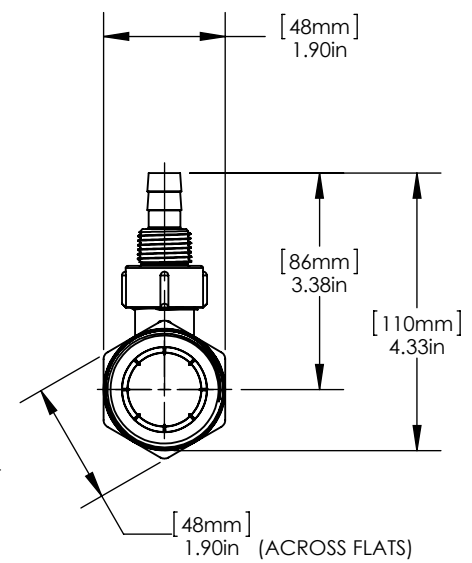
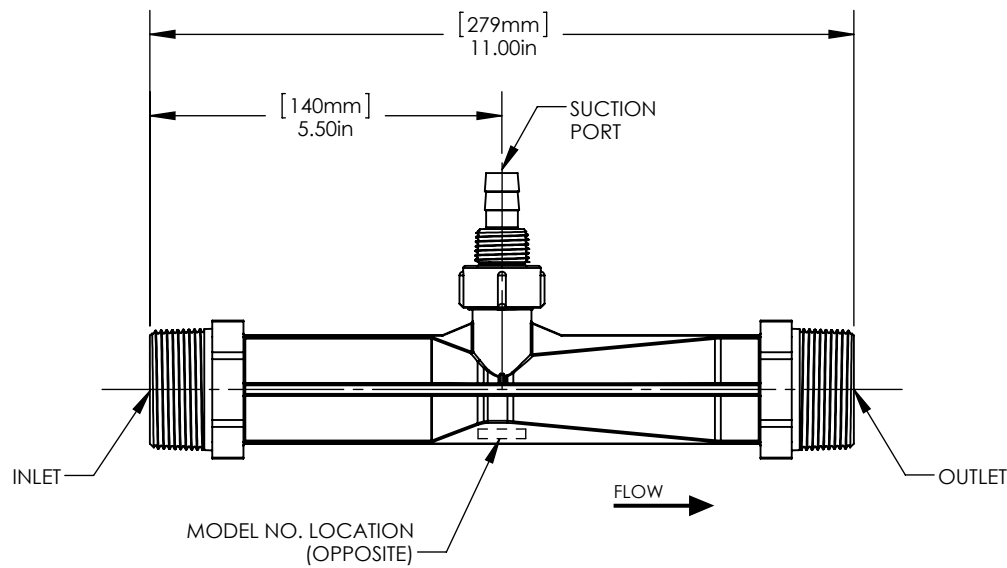


"CAP MODIFICATION DETAIL"
(ALTERNATE)

UNLESS OTHERWISE SPECIFIED DIMENSIONS ARE IN INCHES			TITLE: 1-1/2" INJECTOR; MODEL 1584-A		
DRAWN:	G. NOVINS		DRAWING NO.: 1584-A		
DATE:	7/23/2014	SIZE:	WEIGHT:	SCALE:	REV.:
APPROVED:	T. JOHNS	A	N/A	1:3	B
				SHEET:	1 OF 2



(ISOMETRIC VIEW)
(FOR REFERENCE ONLY)



UNLESS OTHERWISE SPECIFIED DIMENSIONS ARE IN INCHES			TITLE: 1-1/2" INJECTOR; MODEL 1584-A		
DRAWN: G. NOVINS	DATE: 7/23/2014		DRAWING NO.: 1584-A		
APPROVED: T. JOHNS	SIZE: A	WEIGHT: N/A	SCALE: 1:3	REV.: B	SHEET: 2 OF 2

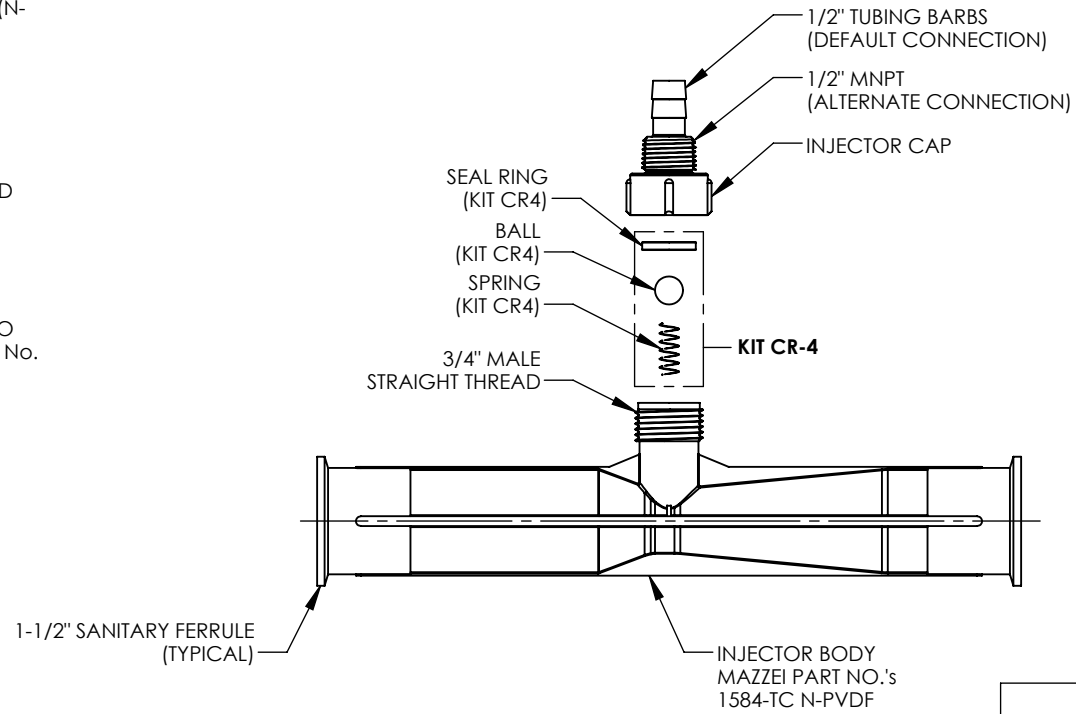
NOTES:

- MADE IN THE U.S.A.
- U.S. PATENT No. 5,863,128
- U.S. No. 3,852,076 AND INTERNATIONAL REGISTERED TRADEMARKS
- MATERIAL: NATURAL POLYVINYLIDENE FLOURIDE (N-PVDF)
- INLET/OUTLET CONNECTION:
1-1/2" SANITARY FERRULE
- SUCTION PORT CONNECTION:

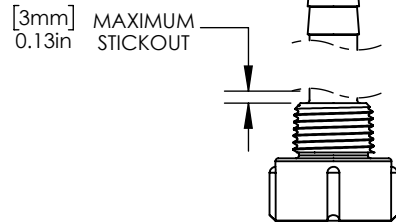
DEFAULT - 1/2" I.D. TUBING BARB WITH INTEGRATED CHECK VALVE

ALTERNATE - 1/2" MNPT - SEE ALTERNATE CAP MODIFICATION DETAIL
- FOR INSTALLATION RECOMMENDATIONS REFER TO MAZZEI TECHNICAL BULLETINS No. 4, No. 5, No. 6, No. 10 AND No. 11, WHICH CAN BE FOUND AT WWW.MAZZEI.NET.
- MAZZEI INJECTOR CO., LLC.
500 ROOSTER DR.
BAKERSFIELD, CA 93307
TEL: 661.363.6500
WEB: WWW.MAZZEI.NET

REVISIONS			
REV.	DESCRIPTION	DATE	APPROVED
C	UPDATED MATERIAL	10/3/2017	J. BENNETT




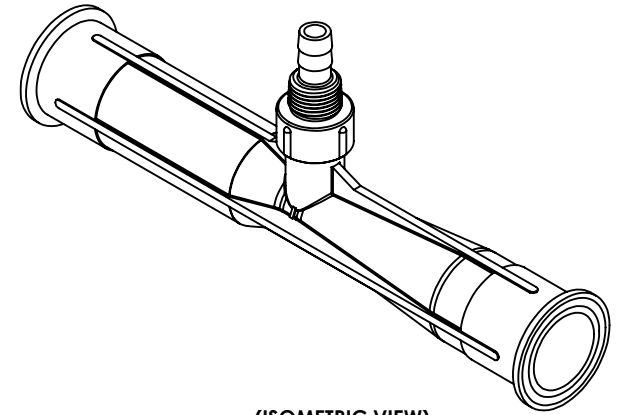
REMOVE HOSE BARBS FROM CAP AND DISCARD



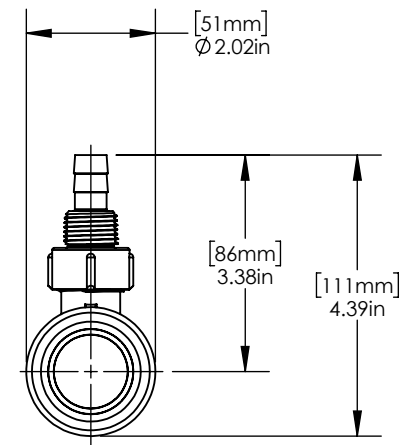
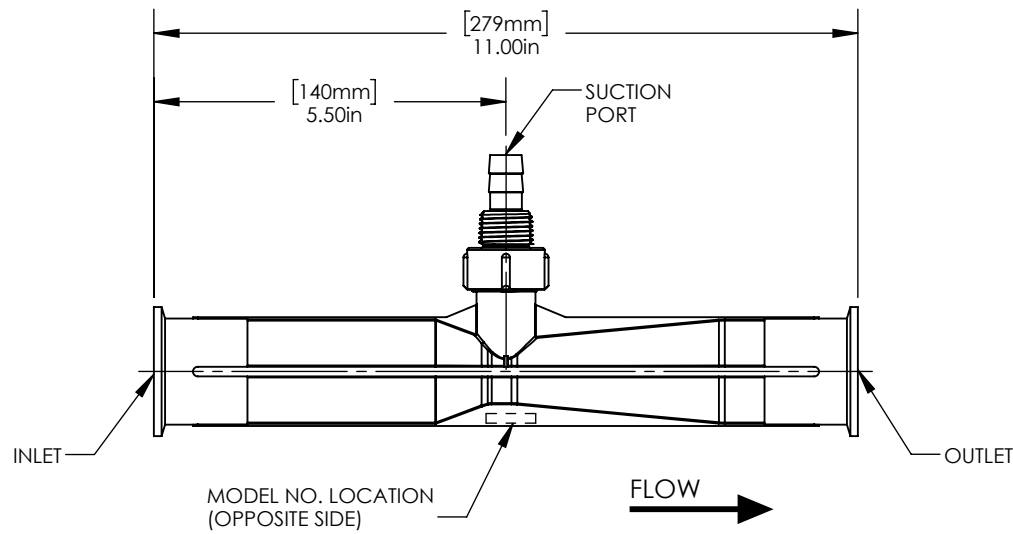
"CAP MODIFICATION DETAIL" (ALTERNATE)


KIT CR-4	
TITLE	MATERIAL
BALL	TEFLON® (PTFE)
SEAL RING	KEL-F® (PCTFE)
SPRING	HASTELLOY C-22

UNLESS OTHERWISE SPECIFIED DIMENSIONS ARE IN INCHES			TITLE: 1-1/2" INJECTOR; MODEL 1584-TC		
DRAWN:	G. NOVINS		DRAWING NO.: 1584-TC		
DATE:	7/23/2014	SIZE:	WEIGHT:	SCALE:	REV.:
APPROVED:	T. JOHNS	A	N/A	1:3	C
				SHEET:	1 OF 2



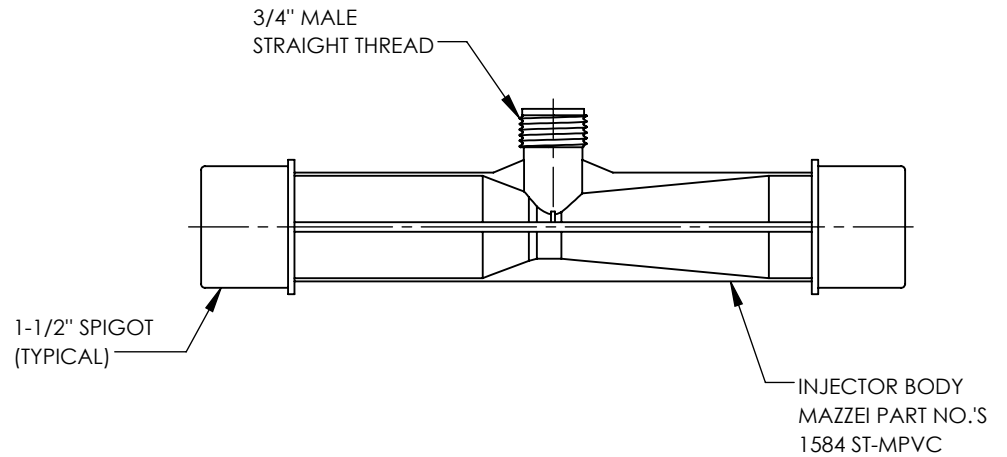
(ISOMETRIC VIEW)
(FOR REFERENCE ONLY)



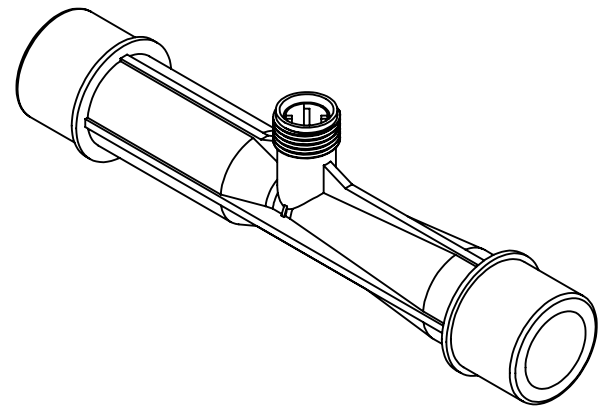
UNLESS OTHERWISE SPECIFIED DIMENSIONS ARE IN INCHES			TITLE: 1-1/2" INJECTOR; MODEL 1584-TC		
DRAWN: G. NOVINS	DATE: 7/23/2014		DRAWING NO.: 1584-TC		
APPROVED: T. JOHNS	SIZE: A	WEIGHT: N/A	SCALE: 1:3	REV.: C	SHEET: 2 OF 2

NOTES:

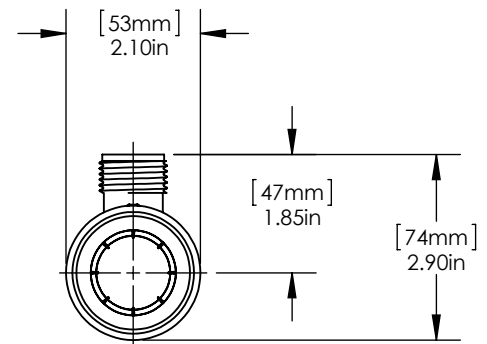
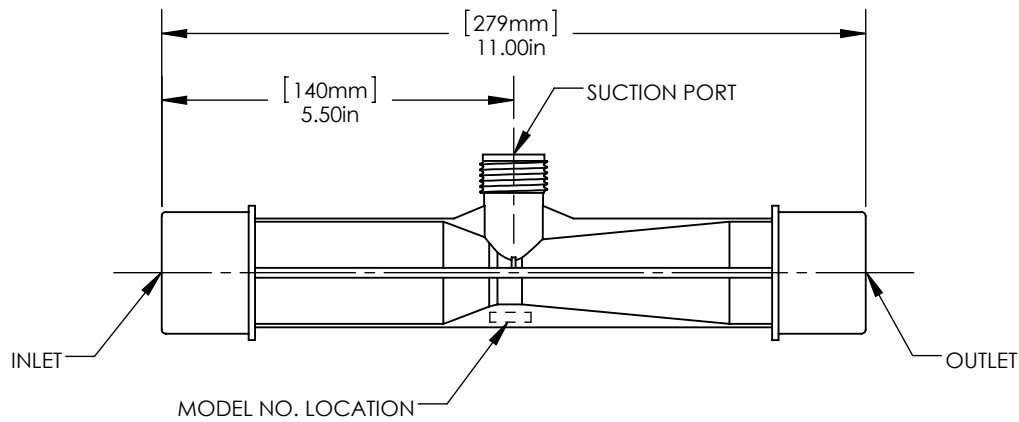
1. MADE IN THE U.S.A.
2. U.S. PATENT No. 5,863,128
3. U.S. No. 3,852,076 AND INTERNATIONAL REGISTERED TRADEMARKS
4. MATERIAL: MPVC
5. INLET/OUTLET CONNECTION:
1-1/2" SPIGOT
6. SUCTION PORT CONNECTION:
DEFAULT - 3/4" STRAIGHT THREAD
7. FOR INSTALLATION RECOMMENDATIONS REFER TO MAZZEI TECHNICAL BULLETINS No. 4, No. 5, No. 6, No. 10 AND No. 11, WHICH CAN BE FOUND AT WWW.MAZZEI.NET.
8. MAZZEI INJECTOR CO., LLC.
500 ROOSTER DR.
BAKERSFIELD, CA 93307
TEL: 661.363.6500
WEB: WWW.MAZZEI.NET



UNLESS OTHERWISE SPECIFIED DIMENSIONS ARE IN INCHES			TITLE: 1-1/2" INJECTOR; MODEL 1584-ST		
DRAWN: T. JOHNS	DATE: 1/10/2013		DRAWING NO.: 1584-ST		
APPROVED: T. JOHNS	SIZE: A	WEIGHT: N/A	SCALE: 1:3	REV.: A	SHEET: 1 OF 2



(ISOMETRIC VIEW)
(FOR REFERENCE ONLY)

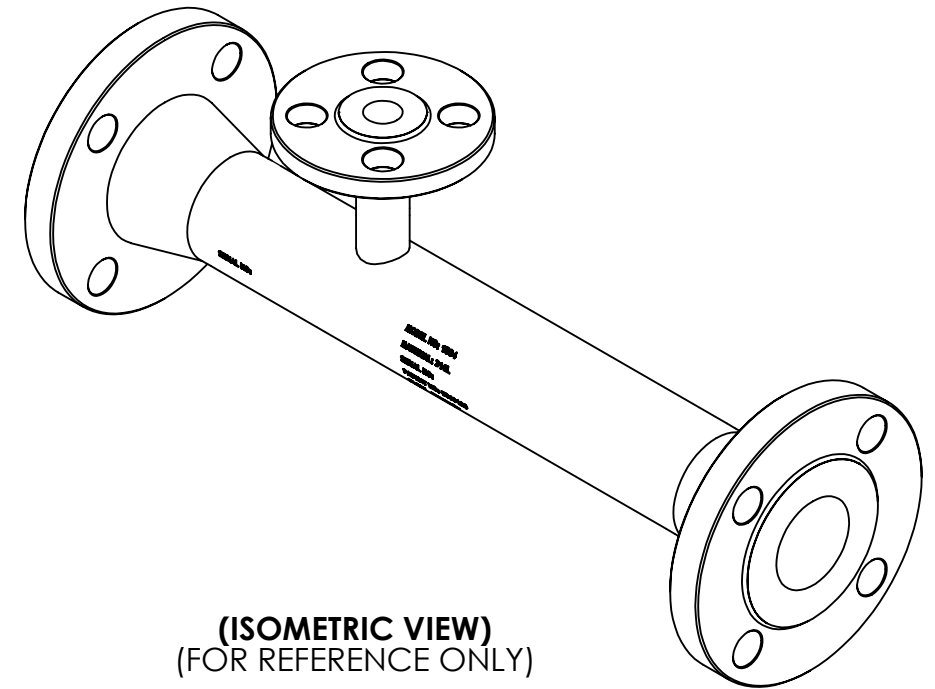


UNLESS OTHERWISE SPECIFIED DIMENSIONS ARE IN INCHES			TITLE: 1-1/2" INJECTOR; MODEL 1584-ST		
DRAWN: T. JOHNS	DATE: 1/10/2013		DRAWING NO.: 1584-ST		
APPROVED: T. JOHNS	SIZE: A	WEIGHT: N/A	SCALE: 1:3	REV.: A	SHEET: 2 OF 2


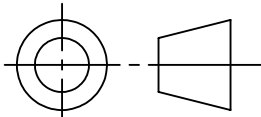
NOTES:

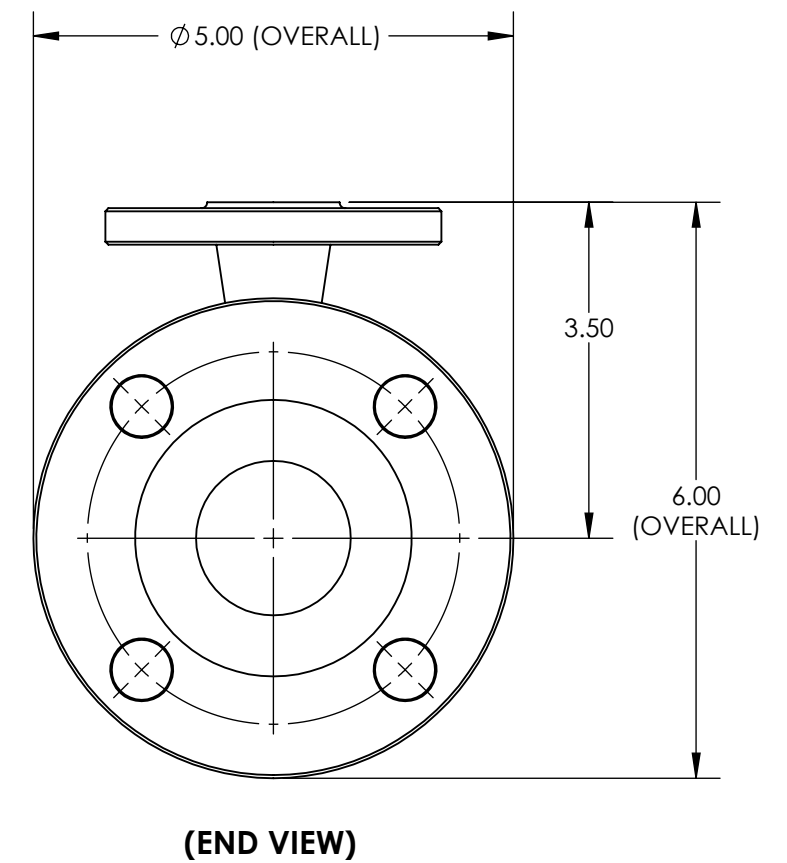
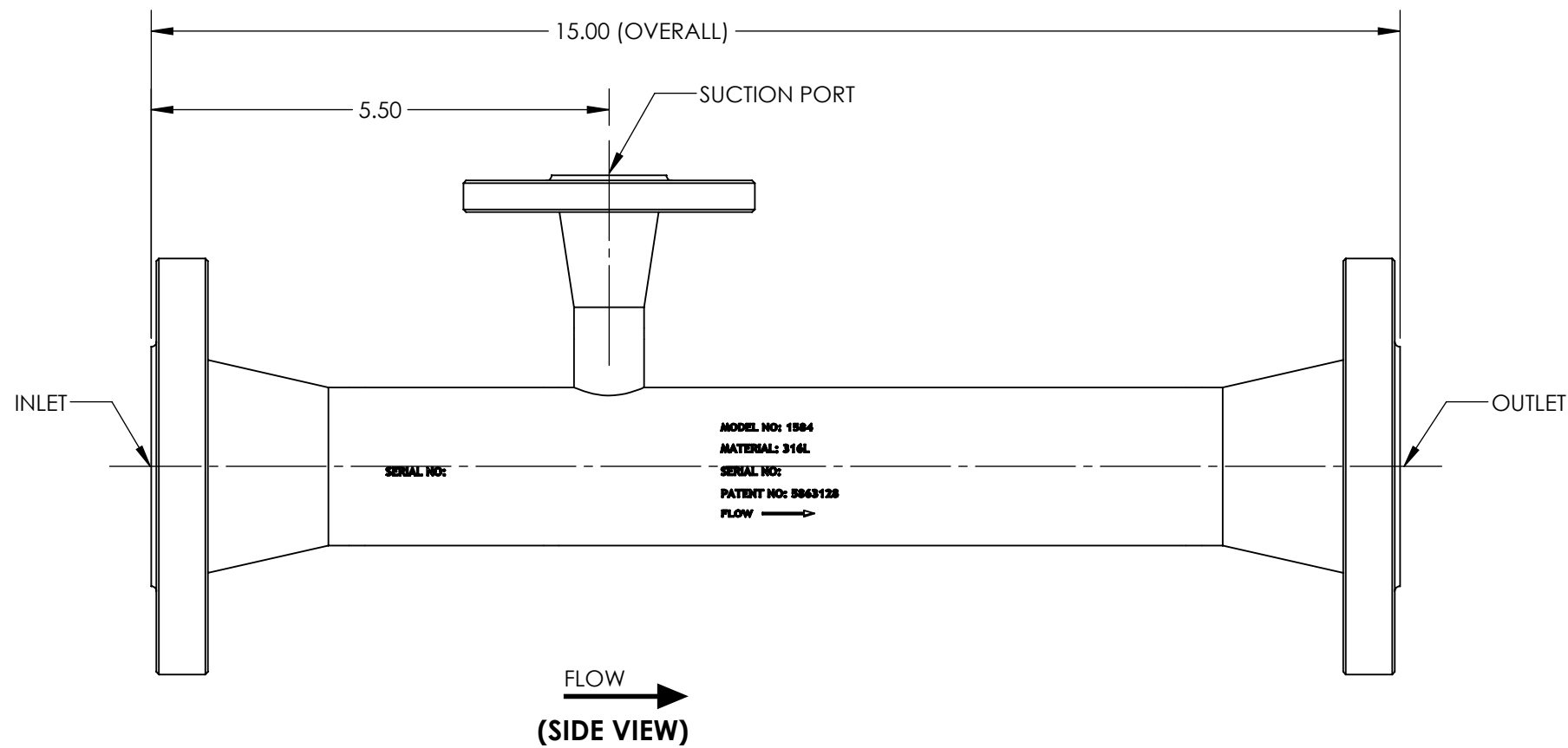
1. MATERIAL OF CONSTRUCTION: TYPE 316L, STAINLESS STEEL
2. MTR/HEAT NUMBERS ARE PROVIDED AND SHALL MEET APPLICABLE MATERIAL SPECIFICATIONS.
3. FLANGE BOLTS HOLES TO STRADDLE COMMON CENTERLINES, UNLESS OTHERWISE NOTED.
4. INLET/OUTLET CONNECTION:
1.50" NOMINAL DIA., ANSI B16.5, CLASS 150, SCHED. 40, RAISED FACE - WELD NECK FLANGE
5. SUCTION PORT CONNECTION:
.50" NOMINAL DIA., ANSI B16.5, CLASS 150, SCHED. 40, RAISED FACE - WELD NECK FLANGE
6. WELDING JOINTS TO BE COMPLETE JOINT PENETRATION, WHERE POSSIBLE.
7. HYDROTESTING MAY BE PERFORMED IN ACCORDANCE WITH MAZZEI SOP NO. 6090.
8. DYE PENETRANT TESTING MAY BE PERFORMED IN ACCORDANCE WITH MAZZEI SOP NO. 6095.
9. CLEANED FOR PASSIVATION PER ASTM A380 GUIDELINES.
10. PASSIVATED PER ASTM A967 SPECIFICATION.
11. FINISH:
INTERNALS: MACHINED FINISH
EXTERNALS: MACHINED FINISH
12. WELD MAP, NON DESTRUCTIVE TESTING (NDT), CLEANING AND INSPECTION REPORTS TO BE PROVIDED BY MAZZEI.


REVISIONS			
REV.	DESCRIPTION	DATE	APPROVED
NC	RELEASED FOR SUBMITTAL.	5/14/2013	P. BANKOWSKI
A	REVISED INJECTOR DIMENSIONS. ADDED ENGRAVING.	1/2/2014	J. BENNETT
B	UPDATED NOTES & SHEET FORMAT.	4/8/2015	J. BENNETT



SUBMITTAL DRAWING

SUBMITTAL NOTICE		CONFIDENTIALITY NOTICE		UNLESS OTHERWISE SPECIFIED DIM ARE IN INCHES TOL ON ANGLE $\pm .50^\circ$ 2 PL $\pm .06$ 3 PL $\pm .030$ INTERPRET DIM AND TOL PER ASME Y14.5M-1994		APPROVALS		DATE		 MAZZEI INJECTOR CO., LLC 500 ROOSTER DRIVE BAKERSFIELD, CA 93307 PHONE: (661) 363-6500 FAX: (661)363-7500 WWW.MAZZEI.NET					
ANY RECOMMENDATIONS FOR PRODUCT AND/OR SYSTEM DESIGN, WHETHER CONTAINED IN A DOCUMENT, WITHIN THIS DRAWING, COMMUNICATED BY ELECTRONIC MEANS OR GIVEN VERBALLY, ARE INTENDED SOLELY AS GUIDELINES TO ACTUAL SYSTEM DESIGN. SAID RECOMMENDATIONS ARE BASED UPON INFORMATION SUPPLIED BY OTHERS, THE ACCURACY OF WHICH IS BEYOND VERIFICATION BY MAZZEI INJECTOR CO. LLC. THEREFORE MAZZEI CANNOT AND DOES NOT WARRANT THE SUITABILITY OF ITS PRODUCTS FOR A PARTICULAR SERVICE NOR THE PERFORMANCE OF ANY SYSTEM CONTAINING COMPONENTS MADE OR SOLD BY MAZZEI.		THE INFORMATION CONTAINED IN THIS DRAWING IS THE SOLE PROPERTY OF MAZZEI INJECTOR COMPANY LLC. ANY REPRODUCTION IN PART OR AS A WHOLE WITHOUT THE WRITTEN PERMISSION OF MAZZEI IS STRICTLY PROHIBITED.		THIRD ANGLE PROJECTION 		DRAWN: T. JOHNS		1/2/2014				DESCRIPTION: INJECTOR; SSF01584AAA00			
DRAWING MAY NOT BE PRINTED FULL SIZE DO NOT SCALE						CHECKED: J. BENNETT		3/4/2014		APPROVED: J. BENNETT				3/4/2014	
				CUSTOMER: N/A		QA: -		CUSTOMER APPROVAL: -		SIZE: B				JOB NO.: N/A	
										DRAWING NUMBER: SSF01584AAA00-SUB		REV: B			
										SCALE: NONE		WEIGHT: 13.52 LBS		SHEET: 1 OF 2	

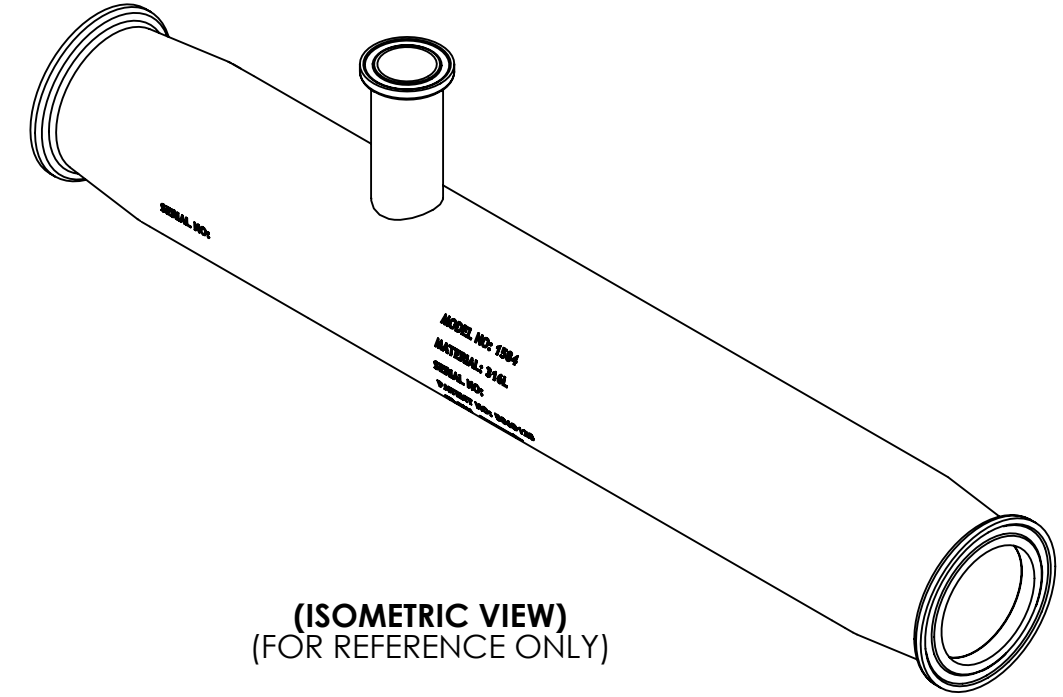


		MAZZEI INJECTOR CO., LLC 500 ROOSTER DRIVE BAKERSFIELD, CA 93307 PHONE: (661) 363-6500 FAX: (661)363-7500 WWW.MAZZEI.NET	
		DESCRIPTION: INJECTOR; SSF01584AAA00	
SIZE:	JOB NO.:	DRAWING NUMBER:	REV:
B	N/A	SSF01584AAA00-SUB	B
SCALE:	WEIGHT:	SHEET:	
1:2	13.52 LBS	2 OF 2	


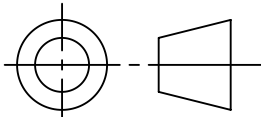
NOTES:

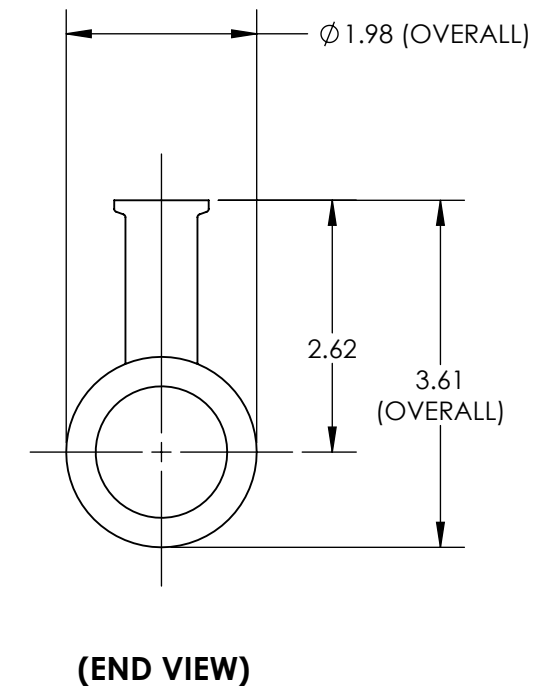
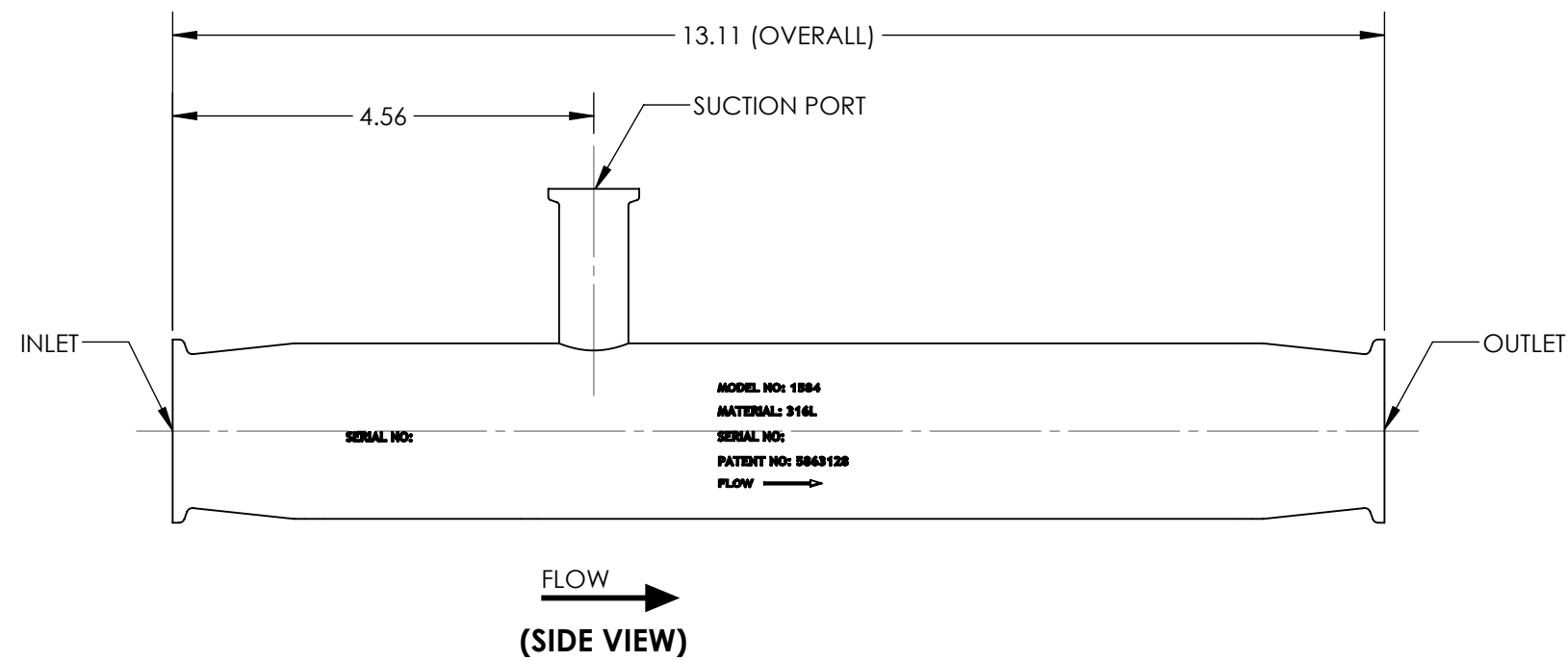
1. MATERIAL OF CONSTRUCTION: TYPE 316L, STAINLESS STEEL
2. MTR/HEAT NUMBERS ARE PROVIDED AND SHALL MEET APPLICABLE MATERIAL SPECIFICATIONS.
3. INLET/OUTLET CONNECTION:
1.50" NOMINAL DIA., ASME BPE-2008, SANITARY TRI-CLAMP FITTING
4. SUCTION PORT CONNECTION:
.75" DIA., ASME BPE-2008, SANITARY TRI-CLAMP FITTING
5. WELDING JOINTS TO BE COMPLETE JOINT PENETRATION, WHERE POSSIBLE.
6. HYDROTESTING MAY BE PERFORMED IN ACCORDANCE WITH MAZZEI SOP NO. 6090.
7. DYE PENETRANT TESTING MAY BE PERFORMED IN ACCORDANCE WITH MAZZEI SOP NO. 6095.
8. CLEANED FOR PASSIVATION PER ASTM A380 GUIDELINES.
9. PASSIVATED PER ASTM A967 SPECIFICATION.
10. FINISH:
INTERNALS: MACHINED FINISH
EXTERNALS: MACHINED FINISH
11. WELD MAP, NON DESTRUCTIVE TESTING (NDT), CLEANING AND INSPECTION REPORTS TO BE PROVIDED BY MAZZEI.

REVISIONS			
REV.	DESCRIPTION	DATE	APPROVED
NC	RELEASED FOR SUBMITTAL.	4/8/2014	J. BENNETT
A	UPDATED NOTES & SHEET FORMAT.	4/8/2015	J. BENNETT



SUBMITTAL DRAWING

SUBMITTAL NOTICE		CONFIDENTIALITY NOTICE		UNLESS OTHERWISE SPECIFIED DIM ARE IN INCHES TOL ON ANGLE $\pm .50^\circ$ 2 PL $\pm .06$ 3 PL $\pm .030$ INTERPRET DIM AND TOL PER ASME Y14.5M-1994		APPROVALS		DATE		 MAZZEI INJECTOR CO., LLC 500 ROOSTER DRIVE BAKERSFIELD, CA 93307 PHONE: (661) 363-6500 FAX: (661)363-7500 WWW.MAZZEI.NET					
ANY RECOMMENDATIONS FOR PRODUCT AND/OR SYSTEM DESIGN, WHETHER CONTAINED IN A DOCUMENT, WITHIN THIS DRAWING, COMMUNICATED BY ELECTRONIC MEANS OR GIVEN VERBALLY, ARE INTENDED SOLELY AS GUIDELINES TO ACTUAL SYSTEM DESIGN. SAID RECOMMENDATIONS ARE BASED UPON INFORMATION SUPPLIED BY OTHERS, THE ACCURACY OF WHICH IS BEYOND VERIFICATION BY MAZZEI INJECTOR CO. LLC. THEREFORE MAZZEI CANNOT AND DOES NOT WARRANT THE SUITABILITY OF ITS PRODUCTS FOR A PARTICULAR SERVICE NOR THE PERFORMANCE OF ANY SYSTEM CONTAINING COMPONENTS MADE OR SOLD BY MAZZEI.		THE INFORMATION CONTAINED IN THIS DRAWING IS THE SOLE PROPERTY OF MAZZEI INJECTOR COMPANY LLC. ANY REPRODUCTION IN PART OR AS A WHOLE WITHOUT THE WRITTEN PERMISSION OF MAZZEI IS STRICTLY PROHIBITED.		THIRD ANGLE PROJECTION 		DRAWN: T. JOHNS		4/7/2014				DESCRIPTION: INJECTOR; SSF01584ABB00			
DRAWING MAY NOT BE PRINTED FULL SIZE DO NOT SCALE						CHECKED: K. COBAR		4/8/2014		APPROVED: J. BENNETT				4/8/2014	
				CUSTOMER: N/A		QA: -		CUSTOMER APPROVAL: -		SIZE: B				JOB NO.: N/A	
										DRAWING NUMBER: SSF01584ABB00-SUB		REV: A			
										SCALE: NONE		WEIGHT: 5.41 LBS		SHEET: 1 OF 2	




		MAZZEI INJECTOR CO., LLC 500 ROOSTER DRIVE BAKERSFIELD, CA 93307 PHONE: (661) 363-6500 FAX: (661)363-7500 WWW.MAZZEI.NET	
		DESCRIPTION: INJECTOR; SSF01584ABB00	
SIZE:	JOB NO.:	DRAWING NUMBER:	REV:
B	N/A	SSF01584ABB00-SUB	A
SCALE:	WEIGHT:	SHEET:	
1:2	5.41 LBS	2 OF 2	



Tabla de Rendimiento de Inyectores
Capacidad de Succión de Aire

Presión Operacional PSIG		Succión de Aire		Presión Operacional PSIG		Succión de Aire		
ENTRADA del Inyector	SALIDA del Inyector	Flujo de la Línea Principal GPM	Succión de Aire SCFH	ENTRADA del Inyector	SALIDA del Inyector	Flujo de la Línea Principal GPM	Succión de Aire SCFH	
5	0	18.0	47.0	60	0	62.5	238	
	1		40.0		5		219	
	2		31.8		10		190	
	3		20.5		15		157	
	4		*(4.1)		10.6		20	120
10	0	25.5	98.0		30		68.3	
	2		72.4		35		53.0	
	5		37.1		40		37.1	
	7		20.5		45		*(51.5)	25.8
	8		*(8.5)		12.6		0	244
15	0	31.2	144	70	5	67.5	232	
	5		71.7		10		207	
	7		45.7		15		179	
	10		23.8		20		150	
	12		*(13.0)		9.3		30	91.9
20	0	36.1	170		40		56.3	
	5		102		45		43.0	
	10		41.0		50		33.1	
	12		31.1		55		*(60.0)	21.2
	15		*(17.0)		12.6		0	248
25	0	40.3	185	80	5	72.2	239	
	5		128		10		222	
	10		65.7		15		199	
	15		33.1		20		174	
	20		*(21.5)		12.0		30	117
30	0	44.2	194		40		79.7	
	5		152		50		49.0	
	10		99.4		60		27.8	
	15		54.3		65		*(68.0)	17.9
	20		28.5		0		250	
35	0	47.7	206	90	5	76.5	246	
	5		173		10		234	
	10		123		20		193	
	15		72.4		30		142	
	20		39.7		40		98.0	
40	0	51.0	212		50		68.3	
	5		188		60		46.3	
	10		147		70		26.5	
	15		98.7		75		*(77.0)	17.9
	20		59.7		0		252	
45	0	54.1	222	100	5	80.7	252	
	5		197		10		245	
	10		157		20		208	
	15		111		30		168	
	20		73.7		40		122	
50	0	57.0	226		50		89.2	
	5		207		60		61.7	
	10		175		70		42.4	
	15		133		80		*(86.0)	25.2
	20		96.6		0		260	
55	0	60.0	238	120	5	88.4	257	
	5		207		10		255	
	10		175		20		237	
	15		133		30		208	
	20		96.6		40		169	
	25		68.3		50		130	
	30		47.0		60		98.7	
35	31.8	70	75.7					
60	0	62.5	244		80		55.0	
	5		219		90		37.1	
	10		190	100	*(103)	21.8		
	15		157	0	244			
	20		120	5	232			

Derechos de Autor © 2015 REV.07.2015

Mazzei Injector Company, LLC
500 Rooster Drive, Bakersfield, CA 93307-9555 USA

TEL 661.363.6500 • FAX 661.363.7500 • www.mazzei.net

* Los números entre paréntesis indican la presión de salida del inyector cuando deja de aspirar (punto cero de succión).

Modelo 1584



Tabla de Rendimiento de Inyectores
Capacidad de Succión de Aire - MÉTRICO

Presión Operacional kg/cm ²		Succión de Aire		Presión Operacional kg/cm ²		Succión de Aire			
ENTRADA del Inyector	SALIDA del Inyector	Flujo de la Línea Principal l/min	Succión de Aire l/min	ENTRADA del Inyector	SALIDA del Inyector	Flujo de la Línea Principal l/min	Succión de Aire l/min		
0.35	0.00	68.3	22.1	4.22	0.00	236	112		
	0.07		18.8		0.35		103		
	0.14		15.0		0.70		90.1		
	0.21		9.7		1.05		74.4		
	0.28		5.0		1.41		56.9		
0.70	0.00	96.6	46.2		4.92		2.11	255	32.2
	0.14		34.1				2.46		25.0
	0.35		17.5				2.81		17.5
	0.49		9.7				3.16		12.2
	0.56		5.9				3.62		12.2
1.05	0.00	118	67.9	5.62		0.00	273		115
	0.35		33.8			0.35			109
	0.49		21.5			0.70			98.1
	0.70		11.2			1.05			84.5
	0.84		4.4			1.41			71.1
1.41	0.00	137	80.2		7.03	2.11		305	43.4
	0.35		48.2			2.81			26.6
	0.70		19.3			3.16			20.3
	0.84		14.7			3.52			15.6
	1.05		5.9			3.87			10.0
1.76	0.00	153	87.3	8.44		0.00	334		117
	0.35		60.8			0.35			113
	0.70		31.0			0.70			105
	1.05		15.6			1.05			94.2
	1.41		5.6			1.41			82.2
2.11	0.00	167	91.5		6.33	2.11		290	55.3
	0.35		72.1			2.81			37.6
	0.70		46.9			3.52			23.1
	1.05		25.6			4.22			13.1
	1.41		13.4			4.57			8.4
2.46	0.00	181	97.2	7.03		0.00	305		118
	0.35		81.8			0.35			116
	0.70		58.2			0.70			110
	1.05		34.1			1.41			91.4
	1.41		18.7			2.11			67.1
2.81	1.76	193	10.6		8.44	2.81		290	46.2
	0.00		100			3.52			32.2
	0.35		89.0			4.22			21.8
	0.70		69.7			4.92			12.5
	1.05		46.6			5.27			8.4
3.16	1.41	205	18.1	7.03		0.00	305		118
	1.76		10.3			0.35			119
	2.11		104			0.70			115
	0.00		93.2			1.41			98.4
	0.35		74.4			2.11			79.4
3.52	0.70	216	52.4		8.44	2.81		334	57.5
	1.05		34.8			3.52			42.1
	1.41		23.4			4.22			29.1
	1.76		15.3			4.92			20.0
	2.11		10.0			5.62			11.8
3.52	2.46	216	106	8.44		0.00	334		122
	2.81		98.1			0.35			121
	0.00		82.8			0.70			120
	0.35		62.8			1.41			112
	0.70		45.6			2.11			98.4
3.52	1.05	216	32.2		8.44	2.81		334	80.1
	1.41		22.2			3.52			61.5
	1.76		15.0			4.22			46.6
	2.11		8.7			4.92			35.7
	2.46		15.0			5.62			25.9
3.52	2.81	216	8.7	8.44		6.33	334		17.5
	0.00		106			7.03			10.3
	0.35		98.1						
	0.70		82.8						
	1.05		62.8						

* Los números entre paréntesis indican la presión de salida del inyector cuando deja de aspirar (punto cero de succión).