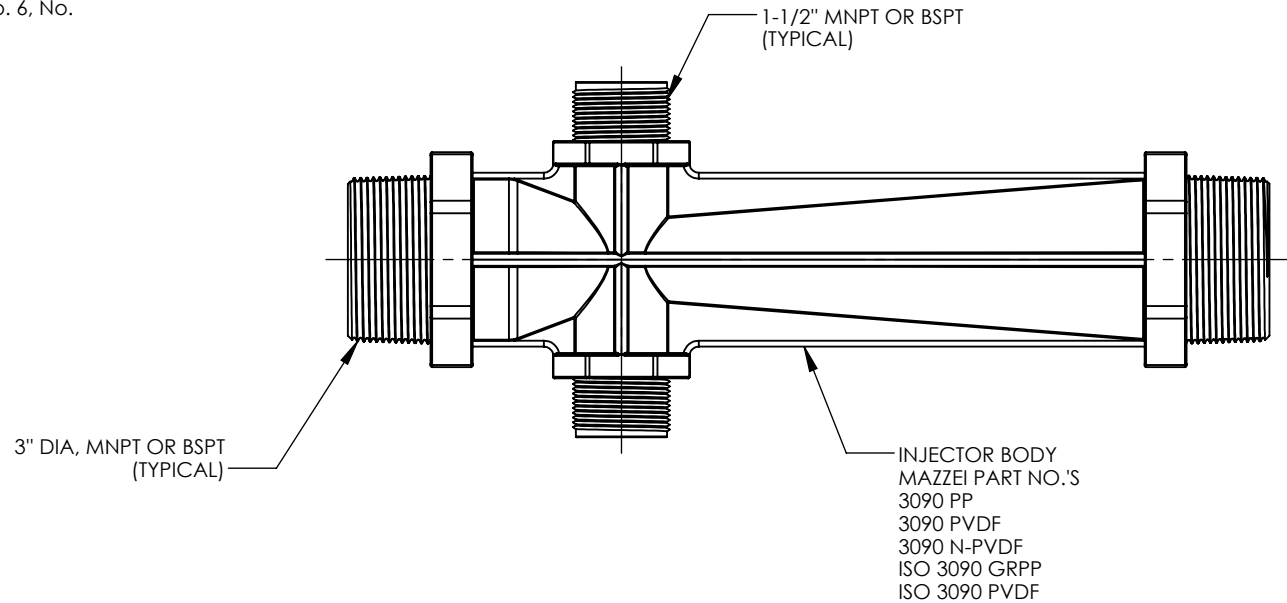
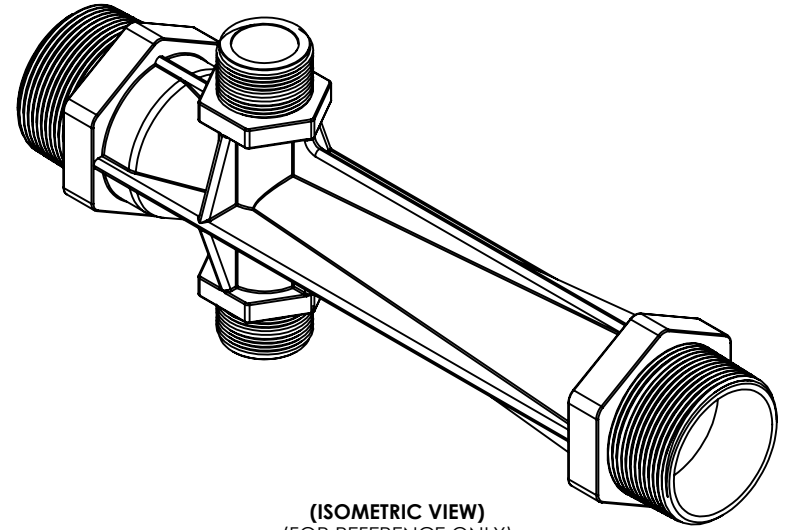


NOTES:

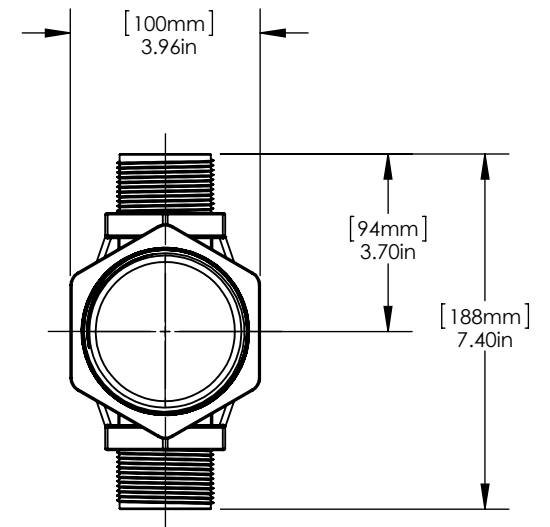
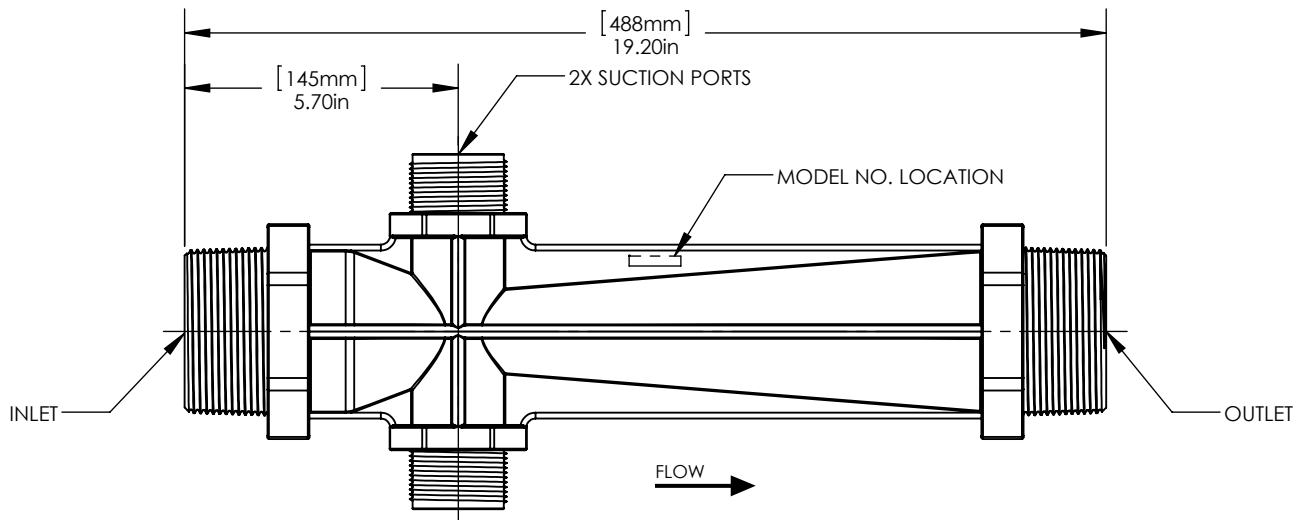
1. MADE IN THE U.S.A.
2. U.S. PATENT No. 5,863,128
3. U.S. No. 3,852,076 AND INTERNATIONAL REGISTERED TRADEMARKS
4. MATERIAL: GLASS FILLED POLYPROPYLENE (PP) OR POLYVINYLIDENE FLUORIDE (PVDF) OR NATURAL POLYVINYLIDENE FLUORIDE (N-PVDF).
5. INLET/OUTLET CONNECTIONS:  
3" DIA. MNPT OR BSPT
6. SUCTION PORT CONNECTIONS:  
1-1/2" MNPT OR BSPT
7. FOR INSTALLATION RECOMMENDATIONS REFER TO MAZZEI TECHNICAL BULLETINS No. 4, No. 5, No. 6, No. 10 AND No. 11, WHICH CAN BE FOUND AT WWW.MAZZEI.NET.
8. MAZZEI INJECTOR CO., LLC.  
500 ROOSTER DR.  
BAKERSFIELD, CA 93307  
TEL: 661.363.6500  
WEB: WWW.MAZZEI.NET




UNLESS OTHERWISE SPECIFIED DIMENSIONS ARE IN INCHES			TITLE: 3" INJECTOR; MODEL 3090		
DRAWN: J. PEREZ	DATE: 5/19/2015		DRAWING NO.: 3090		
APPROVED: T. JOHNS	SIZE: <b>A</b>	WEIGHT: N/A	SCALE: 1:4	REV.: B	SHEET: 1 OF 2



(ISOMETRIC VIEW)  
(FOR REFERENCE ONLY)

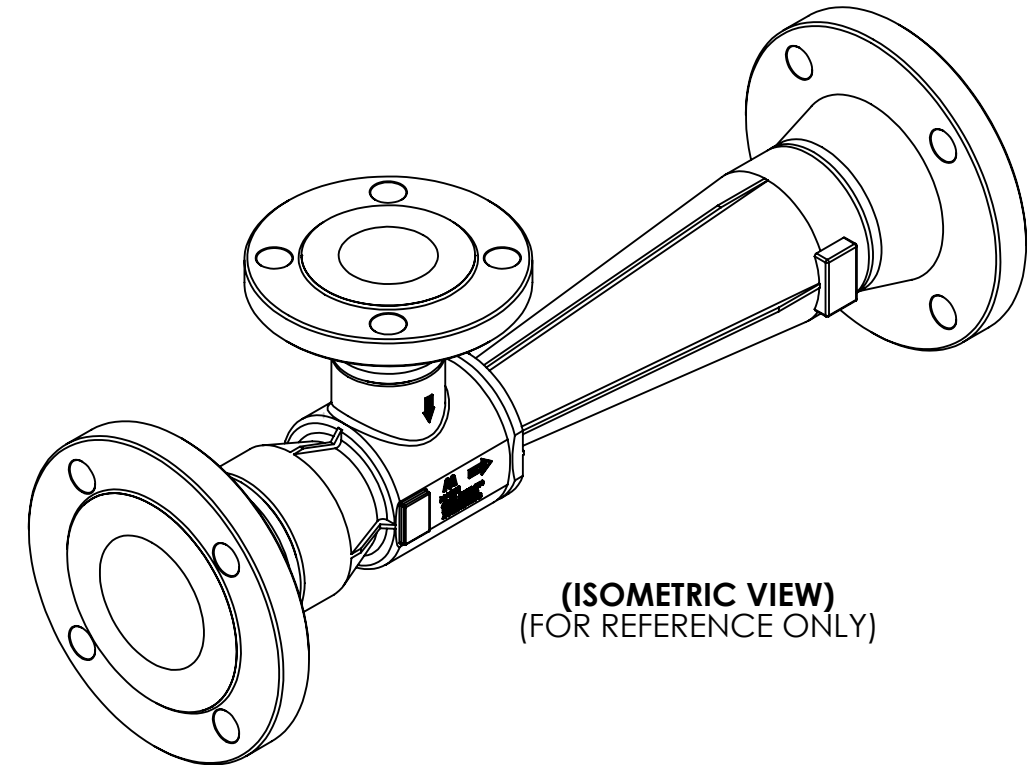


UNLESS OTHERWISE SPECIFIED DIMENSIONS ARE IN INCHES			TITLE: 3" INJECTOR; MODEL 3090		
DRAWN: J. PEREZ	DATE: 5/19/2015		DRAWING NO.: 3090		
APPROVED: T. JOHNS	SIZE: <b>A</b>	WEIGHT: N/A	SCALE: 1:4	REV.: B	SHEET: 2 OF 2

NOTES:


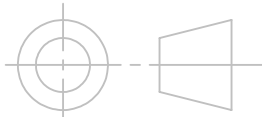
1. MATERIAL OF CONSTRUCTION: CF3M / 316L, STAINLESS STEEL
2. MTR/HEAT NUMBERS ARE PROVIDED AND SHALL MEET APPLICABLE MATERIAL SPECIFICATIONS.
3. FLANGE BOLTS HOLES TO STRADDLE COMMON CENTERLINES, UNLESS OTHERWISE NOTED.
4. INLET/OUTLET CONNECTION:  
3" DIA., ANSI B16.5, CLASS 150, SCHED. 40, RAISED FACE - WELD NECK FLANGE.
5. SUCTION PORT CONNECTION:  
2" DIA., ANSI B16.5, CLASS 150, SCHED. 40, RAISED FACE - WELD NECK FLANGE.
6. WELDING JOINTS TO BE COMPLETE JOINT PENETRATION, WHERE POSSIBLE.
7. HYDROTESTING MAY BE PERFORMED IN ACCORDANCE WITH MAZZEI SOP NO. 6090.
8. DYE PENATRATE TESTING MAY BE PERFORMED IN ACCORDANCE WITH MAZZEI SOP NO. 6095.
9. CLEAN FOR PASSIVATION PER ASTM A380 GUIDELINES.
10. PASSIVATE PER ASTM A967 SPECIFICATION.
11. WELD MAP, NON DESTRUCTIVE TESTING (NDT), CLEANING AND INSPECTION REPORTS TO BE PROVIDED BY MAZZEI.

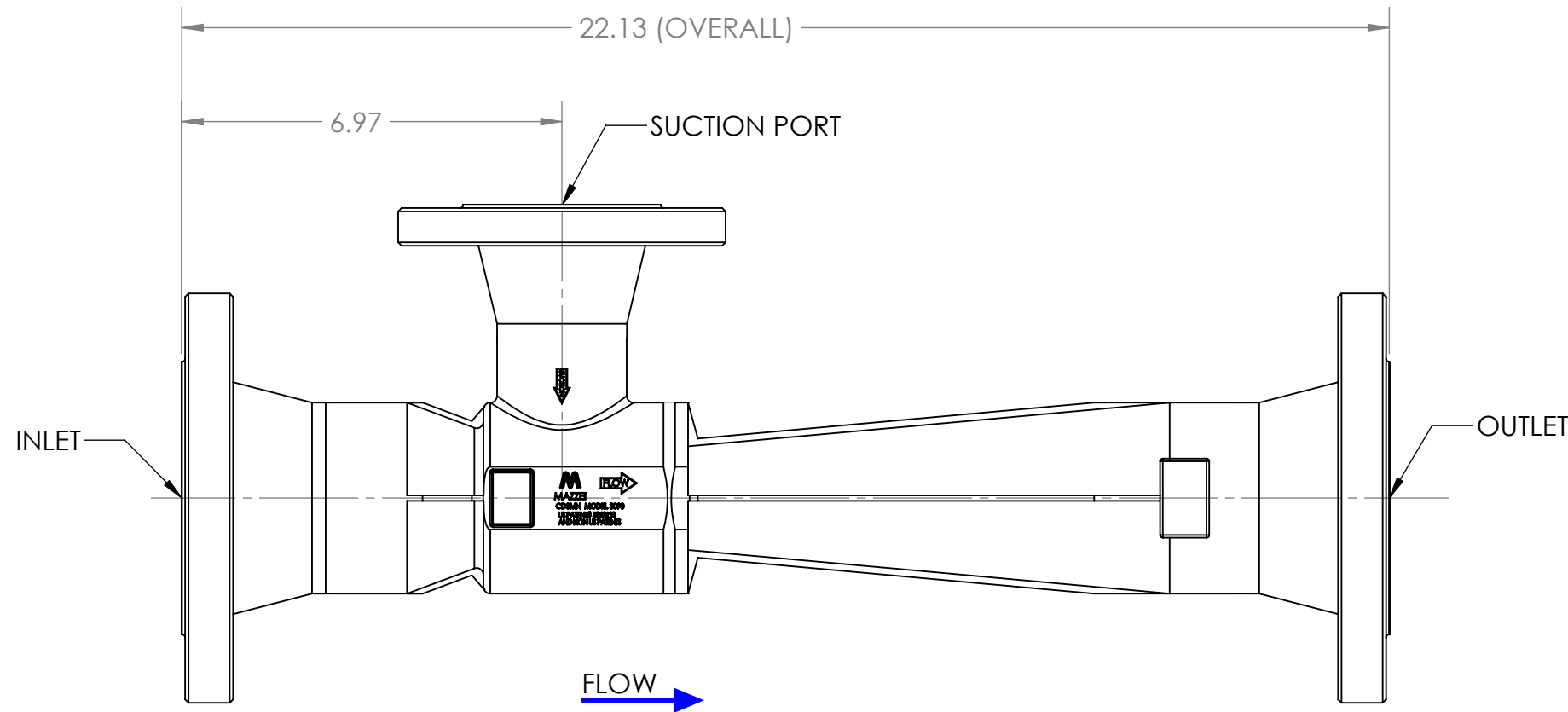
REVISIONS			
REV.	DESCRIPTION	DATE	APPROVED
NC	RELEASED FOR SUBMITTAL.	10/23/2012	P. BANKOWSKI
A	REVISED NOTES, AND CORRECTED DRAWING NUMBER	2/4/2015	J.BENNETT



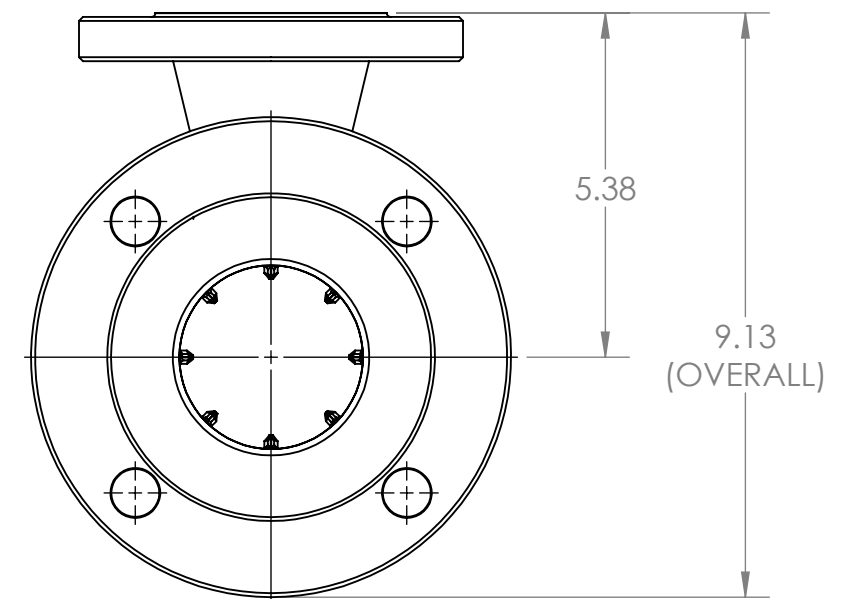
(ISOMETRIC VIEW)  
(FOR REFERENCE ONLY)

**SUBMITTAL DRAWING**


SUBMITTAL NOTICE	CONFIDENTIALITY NOTICE	UNLESS OTHERWISE SPECIFIED DIM ARE IN INCHES TOL ON ANGLE ± .1/2° 1 PL ± .125 2 PL ± .060 3 PL ± .030 INTERPRET DIM AND TOL PER ASME Y14.5M-1994	APPROVALS	DATE	 <b>MAZZEI INJECTOR CO., LLC</b> 500 ROOSTER DRIVE BAKERSFIELD, CA 93307 PHONE: (661) 363-6500 FAX: (661)363-7500 WWW.MAZZEI.NET
ANY RECCOMENDATIONS FOR PRODUCT AND/OR SYSTEM DESIGN, WHETHER CONTAINED IN A DOCUMENT, WITHIN THIS DRAWING, COMMUNICATED BY ELECTRONIC MEANS OR GIVEN VERBALLY, ARE INTENDED SOLELY AS GUIDELINES TO ACTUAL SYSTEM DESIGN. SAID RECCOMENDATIONS ARE BASED UPON INFORMATION SUPPLIED BY OTHERS, THE ACCURACY OF WHICH IS BEYOND VERIFICATION BY MAZZEI INJECTOR CO. LLC. THEREFOR MAZZEI CANNOT AND DOES NOT WARRANT THE SUITABILITY OF ITS PRODUCTS FOR A PARTICULAR SERVICE NOR THE PERFORMANCE OF ANY SYSTEM CONTAINING COMPONENTS MADE OR SOLD BY MAZZEI.	THE INFORMATION CONTAINED IN THIS DRAWING IS THE SOLE PROPERTY OF MAZZEI INJECTOR COMPANY LLC. ANY REPRODUCTION IN PART OR AS A WHOLE WITHOUT THE WRITTEN PERMISSION OF MAZZEI IS STRICTLY PROHIBITED.	<b>THIRD ANGLE PROJECTION</b> 	DRAWN: T. JOHNS CHECKED: J. MILLAN APPROVED: P. BANKOWSKI QA: - CUSTOMER APPROVAL: - CUSTOMER: NA	10/22/2012 10/23/2012 10/23/2012	
DRAWING MAY NOT BE PRINTED FULL SIZE DO NOT SCALE	SIZE: <b>B</b> JOB NO.: <b>NA</b> DRAWING NUMBER: <b>SSC03090DAA00 - SUB</b> REV: <b>A</b> SCALE: <b>NONE</b> WEIGHT: <b>42 LBS</b> SHEET: <b>1 OF 2</b>				



(SIDE VIEW)



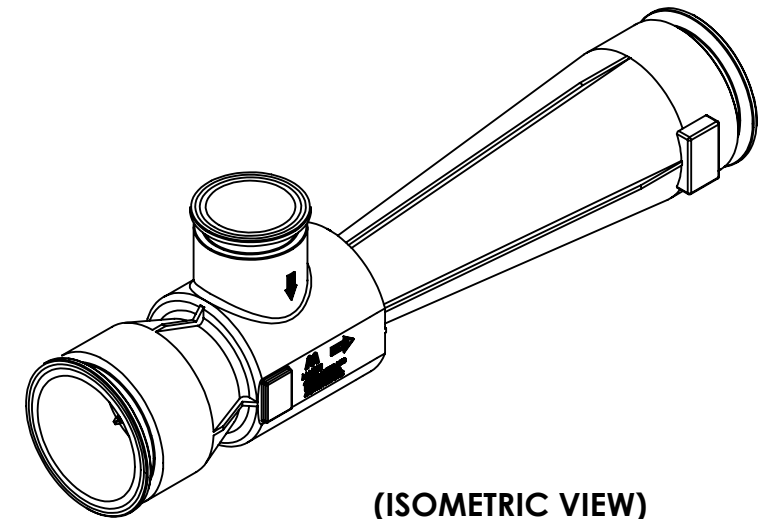
(END VIEW)

		<b>MAZZEI INJECTOR CO., LLC</b> 500 ROOSTER DRIVE BAKERSFIELD, CA 93307 PHONE: (661) 363-6500 FAX: (661)363-7500 WWW.MAZZEI.NET	
TITLE: INJECTOR; MODEL SSC3090			
SIZE: <b>B</b>	JOB NO.: NA	DRAWING NUMBER: SSC03090DAA00 - SUB	REV: A
SCALE: 1:3	WEIGHT: 42 LBS	SHEET: 2 OF 2	

NOTES:


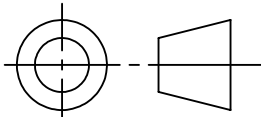
1. MATERIAL OF CONSTRUCTION: TYPE CF3M, STAINLESS STEEL
2. MTR/HEAT NUMBERS ARE PROVIDED AND SHALL MEET APPLICABLE MATERIAL SPECIFICATIONS.
3. INLET/OUTLET CONNECTION:  
3" NOMINAL DIA., ASME BPE-2008, SANITARY TRI-CLAMP FITTING
4. SUCTION PORT CONNECTION:  
2" NOMINAL DIA., ASME BPE-2008, SANITARY TRI-CLAMP FITTING
5. WELDING JOINTS TO BE COMPLETE JOINT PENETRATION, WHERE POSSIBLE.
6. HYDROTESTING MAY BE PERFORMED IN ACCORDANCE WITH MAZZEI SOP NO. 6090.
7. DYE PENETRANT TESTING MAY BE PERFORMED IN ACCORDANCE WITH MAZZEI SOP NO. 6095.
8. CLEANED FOR PASSIVATION PER ASTM A380 GUIDELINES.
9. PASSIVATED PER ASTM A967 SPECIFICATION.
10. FINISH: EXTERIOR BEAD BLASTED.
11. WELD MAP, NON DESTRUCTIVE TESTING (NDT), CLEANING AND INSPECTION REPORTS TO BE PROVIDED BY MAZZEI.

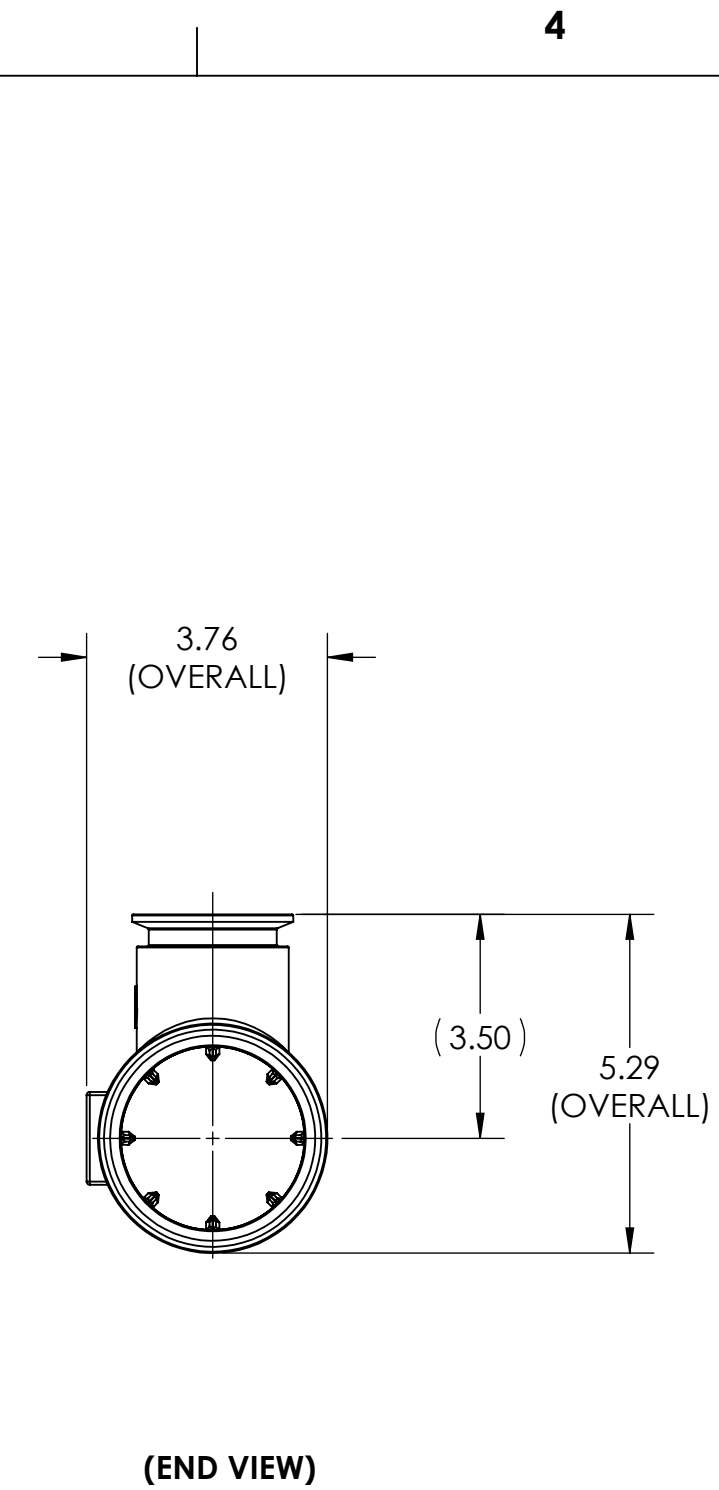
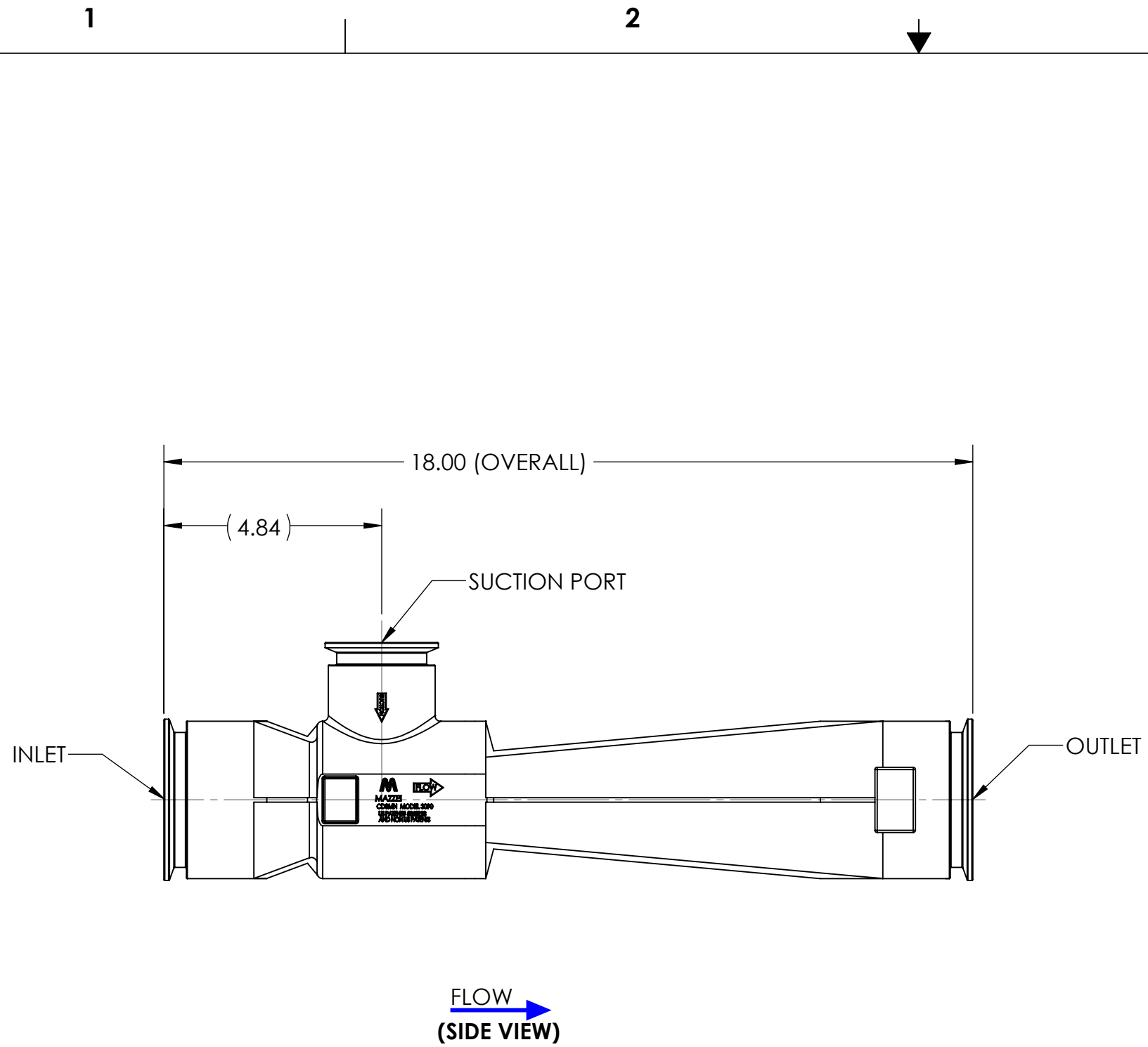
REVISIONS			
REV.	DESCRIPTION	DATE	APPROVED
NC	RELEASED FOR SUBMITTAL.	8/27/2015	J. BENNETT




(ISOMETRIC VIEW)  
(FOR REFERENCE ONLY)

**SUBMITTAL DRAWING**

SUBMITTAL NOTICE	CONFIDENTIALITY NOTICE	UNLESS OTHERWISE SPECIFIED DIM ARE IN INCHES TOL ON ANGLE ± .50° 2 PL ± .06 3 PL ± .030 INTERPRET DIM AND TOL PER ASME Y14.5M-1994	APPROVALS	DATE	 <b>MAZZEI INJECTOR CO., LLC</b> 500 ROOSTER DRIVE BAKERSFIELD, CA 93307 PHONE: (661) 363-6500 FAX: (661)363-7500 WWW.MAZZEI.NET
ANY RECOMMENDATIONS FOR PRODUCT AND/OR SYSTEM DESIGN, WHETHER CONTAINED IN A DOCUMENT, WITHIN THIS DRAWING, COMMUNICATED BY ELECTRONIC MEANS OR GIVEN VERBALLY, ARE INTENDED SOLELY AS GUIDELINES TO ACTUAL SYSTEM DESIGN. SAID RECOMMENDATIONS ARE BASED UPON INFORMATION SUPPLIED BY OTHERS, THE ACCURACY OF WHICH IS BEYOND VERIFICATION BY MAZZEI INJECTOR CO. LLC. THEREFORE MAZZEI CANNOT AND DOES NOT WARRANT THE SUITABILITY OF ITS PRODUCTS FOR A PARTICULAR SERVICE NOR THE PERFORMANCE OF ANY SYSTEM CONTAINING COMPONENTS MADE OR SOLD BY MAZZEI.	THE INFORMATION CONTAINED IN THIS DRAWING IS THE SOLE PROPERTY OF MAZZEI INJECTOR COMPANY LLC. ANY REPRODUCTION IN PART OR AS A WHOLE WITHOUT THE WRITTEN PERMISSION OF MAZZEI IS STRICTLY PROHIBITED.	<b>THIRD ANGLE PROJECTION</b> 	DRAWN: T. JOHNS	8/27/2015	
			CHECKED: J. BENNETT	8/27/2015	SIZE: <b>B</b> JOB NO.: <b>N/A</b> DRAWING NUMBER: <b>SSC03090DBB00-SUB</b> REV: <b>NC</b>
	DRAWING MAY NOT BE PRINTED FULL SIZE DO NOT SCALE		APPROVED: J. BENNETT	8/27/2015	SCALE: <b>NONE</b> WEIGHT: <b>15 LBS</b> SHEET: <b>1 OF 2</b>
			QA: -		
			CUSTOMER APPROVAL: -		
			CUSTOMER: N/A		



		<b>MAZZEI INJECTOR CO., LLC</b> 500 ROOSTER DRIVE BAKERSFIELD, CA 93307 PHONE: (661) 363-6500 FAX: (661)363-7500 WWW.MAZZEI.NET	
DESCRIPTION:			
INJECTOR; SSC03090DBB00			
SIZE:	JOB NO.:	DRAWING NUMBER:	REV:
<b>B</b>	N/A	SSC03090DBB00-SUB	NC
SCALE:	WEIGHT:	SHEET:	
1:3	15 LBS	2 OF 2	



**Injector Performance Table**  
**Water Suction Capacity**

Operating Pressure PSIG		WATER SUCTION		Operating Pressure PSIG		WATER SUCTION	
Injector INLET	Injector OUTLET	Motive Flow GPM	Water Suction GPM	Injector INLET	Injector OUTLET	Motive Flow GPM	Water Suction GPM
<b>5</b>	0	<b>76.4</b>	17.5	<b>60</b>	0	<b>265</b>	20.7
	1		15.0		5		20.7
	2		12.6		10		20.7
	3		7.6		15		20.7
	4		*(4.0)		20		20.7
<b>10</b>	0	<b>108</b>	24.1		25		20.7
	2		24.1		30		20.6
	5		14.5		35		18.7
	7		6.6		40		12.6
	8		*(8.5)		45		*(49.0) 5.6
<b>15</b>	0	<b>132</b>	23.9	<b>70</b>	0	<b>286</b>	20.5
	5		23.8		5		20.5
	7		17.3		10		20.5
	10		9.2		15		20.5
	12		*(13.5) 5.0		20		20.5
<b>20</b>	0	<b>153</b>	23.6		30		20.4
	5		23.6		35		20.5
	10		19.5		40		20.1
	12		13.2		45		18.3
	15		*(17.0) 7.2		50		12.0
<b>25</b>	0	<b>171</b>	22.4	55	*(58.5) 6.7		
	5		22.3	0	12.5		
	10		22.6	5	20.5		
	15		15.5	10	20.5		
	20		*(21.5) 1.9	15	20.5		
<b>30</b>	0	<b>187</b>	21.8	20	20.5		
	5		21.8	30	20.5		
	10		21.8	35	20.5		
	15		21.3	40	20.5		
	20		9.6	45	20.5		
	25		*(25.5)	50	19.3		
<b>35</b>	0	<b>202</b>	21.5	55	14.9		
	5		21.5	60	9.9		
	10		21.1	65	*(67.5) 5.0		
	15		19.8	0	20.5		
	20		15.1	5	20.5		
	25		*(29.5) 6.5	10	20.5		
<b>40</b>	0	<b>216</b>	20.9	20	20.5		
	5		20.9	30	20.5		
	10		20.9	40	20.5		
	15		20.9	45	20.5		
	20		18.5	50	20.5		
	25		11.8	55	20.5		
	30		*(32.5) 3.8	60	18.1		
<b>45</b>	0	<b>229</b>	21.0	65	12.6		
	5		21.0	70	7.7		
	10		21.0	75	*(76.5)		
	15		20.9	0	20.5		
	20		20.0	5	20.5		
	25		16.0	10	20.5		
	30		9.6	20	20.5		
<b>50</b>	0	<b>241</b>	20.6	30	20.5		
	5		20.6	40	20.5		
	10		20.6	50	20.5		
	15		20.6	60	20.4		
	20		20.6	65	19.3		
	25		19.9	70	15.7		
	30		14.7	75	10.6		
	35		8.3	80	*(85.0) 6.2		
	40		*(40.5)				

**Model 3090**

Copyright© 2016 REV 2014

Mazzei Injector Company, LLC  
 500 Rooster Drive, Bakersfield, CA 93307-9555 USA

TEL 661.363.6500 • FAX 661.363.7500 • www.mazzei.net

*\*NUMBERS IN PARENTHESIS indicate the injector outlet pressure when suction stops (Zero Suction Point).*



**Injector Performance Table**  
**Water Suction Capacity - METRIC**

Operating Pressure kg/cm <sup>2</sup>		WATER SUCTION		Operating Pressure kg/cm <sup>2</sup>		WATER SUCTION			
Injector INLET	Injector OUTLET	Motive Flow l/min	Water Suction l/min	Injector INLET	Injector OUTLET	Motive Flow l/min	Water Suction l/min		
0.35	0.00	289	66.2	4.22	0.00	1,001	78.3		
	0.07		56.7		0.35		78.3		
	0.14		47.8		0.70		78.3		
	0.21		28.7		1.05		78.3		
	0.28		*(0.28)		1.41		78.4		
0.70	0.00	409	91.2		1.76		78.3		
	0.14		91.3		2.11		78.0		
	0.35		55.0		2.46		71.0		
	0.49		24.9		2.81		47.9		
	0.56		*(0.60)		3.16		21.4		
	3.16		*(3.44)		3.16		21.4		
1.05	0.00	501	90.4		4.92		0.00	1,082	77.5
	0.35		90.0				0.35		77.5
	0.49		65.7				0.70		77.5
	0.70		34.9				1.05		77.5
	0.84		18.9	1.41		77.5			
1.41	0.00	578	89.3	2.11		77.4			
	0.35		89.3	2.46		77.5			
	0.70		73.8	2.81		76.2			
	0.84		49.9	3.16		69.3			
	1.05		27.2	3.52		45.4			
1.76	0.00	646	84.7	3.87		25.3			
	0.35		84.5	4.22		25.3			
	0.70		85.6	4.57		25.3			
	1.05		58.6	4.92		25.3			
	1.41		7.1	5.27		25.3			
2.11	0.00	708	82.5	5.62	0.00	1,156	77.5		
	0.35		82.6		0.35		77.5		
	0.70		82.5		0.70		77.5		
	1.05		80.8		1.05		77.5		
	1.41		36.4		1.41		77.5		
	1.76		*(1.79)		1.76		77.5		
2.46	0.00	765	81.3		2.11		77.5		
	0.35		81.3		2.46		77.5		
	0.70		79.8		2.81		77.5		
	1.05		80.0		3.16		77.5		
	1.41		57.1		3.52		73.0		
	1.76		24.8		3.87		56.6		
2.81	0.00	818	79.1		4.22		37.4		
	0.35		79.1		4.57		18.9		
	0.70		79.1		0.00		77.5		
	1.05		79.2	0.35	77.5				
	1.41		70.0	0.70	77.5				
	1.76		44.9	1.41	77.5				
	2.11		14.5	2.11	77.5				
3.16	0.00	867	79.4	6.33	0.00	1,226	77.5		
	0.35		79.4		0.35		77.5		
	0.70		79.4		0.70		77.5		
	1.05		79.3		1.41		77.5		
	1.41		79.0		2.11		77.5		
	1.76		60.6		2.81		77.5		
	2.11		36.5		3.16		77.7		
2.46	*(2.53)	3.52	77.8						
3.52	0.00	914	77.9		4.22		68.7		
	0.35		77.9		4.57		47.6		
	0.70		77.9		4.92		29.3		
	1.05		77.9		5.27		29.3		
	1.41		78.0		5.62		29.3		
	1.76		75.3		0.00		77.5		
	2.11		55.6		0.35		77.5		
	2.46		31.5	0.70	77.5				
	2.81		*(2.85)	1.41	77.5				

*\*NUMBERS IN PARENTHESIS indicate the injector outlet pressure when suction stops (Zero Suction Point).*

**Model 3090**





**Injector Performance Table**  
**Air Suction Capacity**

**Model 3090**

Operating Pressure PSIG		AIR SUCTION		Operating Pressure PSIG		AIR SUCTION	
Injector INLET	Injector OUTLET	Motive Flow GPM	Air Suction SCFM	Injector INLET	Injector OUTLET	Motive Flow GPM	Air Suction SCFM
<b>5</b>	0	<b>76</b>		<b>60</b>	0	<b>257</b>	35.83
	1		4.51		5		31.67
	2		1.34		10		22.75
	3		0.67		15		9.95
	4		*(4.1)		20		7.00
<b>10</b>	0	<b>106</b>	6.86	<b>70</b>	0	<b>277</b>	37.42
	2		4.28		5		31.17
	5		1.43		10		13.23
	7		0.71		15		9.17
	8		*(8.5)		20		5.25
<b>15</b>	0	<b>129</b>	13.29	<b>80</b>	0	<b>297</b>	38.67
	5		3.18		5		35.17
	7				10		20.17
	10		1.91		15		11.78
	12		*(13.5)		20		7.03
<b>20</b>	0	<b>149</b>	17.93	<b>90</b>	0	<b>315</b>	4.25
	5		5.46		5		2.55
	10		2.00		10		1.58
	12		1.46		15		1.30
	15		*(17.0)		20		*(67.5)
<b>25</b>	0	<b>167</b>	21.80	<b>100</b>	0	<b>332</b>	38.25
	5		8.66		5		33.33
	10		3.28		10		14.38
	15		1.58		15		8.62
	20		*(21.5)		20		5.53
<b>30</b>	0	<b>183</b>	24.72	<b>120</b>	0	<b>363</b>	39.08
	5		15.05		5		37.00
	10		4.63		10		26.67
	15		2.44		15		14.00
	20		1.39		20		9.98
<b>35</b>	0	<b>197</b>	27.40	<b>150</b>	0	<b>400</b>	4.93
	5		20.98		5		3.37
	10		6.30		10		2.38
	15		3.57		15		1.75
	20		1.98		20		1.32
<b>40</b>	0	<b>211</b>	29.52	<b>200</b>	0	<b>450</b>	1.38
	5		21.63		5		
	10		8.16		10		
	15		4.81		15		
	20		2.92		20		
<b>45</b>	0	<b>223</b>	31.42	<b>250</b>	0	<b>500</b>	
	5		24.50		5		
	10		10.12		10		
	15		5.86		15		
	20		3.84		20		
<b>50</b>	0	<b>236</b>	32.92	<b>300</b>	0	<b>550</b>	
	5		27.08		5		
	10		12.76		10		
	15		7.19		15		
	20		4.90		20		
<b>60</b>	0	<b>257</b>	35.83	<b>350</b>	0	<b>600</b>	
	5		31.67		5		
	10		22.75		10		
	15		9.95		15		
	20		7.00		20		
<b>70</b>	0	<b>277</b>	37.42	<b>400</b>	0	<b>650</b>	
	5		31.17		5		
	10		13.23		10		
	15		9.17		15		
	20		5.25		20		
<b>80</b>	0	<b>297</b>	38.67	<b>450</b>	0	<b>700</b>	
	5		35.17		5		
	10		20.17		10		
	15		11.78		15		
	20		7.03		20		
<b>90</b>	0	<b>315</b>	4.25	<b>500</b>	0	<b>750</b>	
	5		2.55		5		
	10		1.58		10		
	15		1.30		15		
	20		*(67.5)		20		
<b>100</b>	0	<b>332</b>	38.25	<b>550</b>	0	<b>800</b>	
	5		33.33		5		
	10		14.38		10		
	15		8.62		15		
	20		5.53		20		
<b>120</b>	0	<b>363</b>	39.08	<b>600</b>	0	<b>850</b>	
	5		37.00		5		
	10		26.67		10		
	15		14.00		15		
	20		9.98		20		
<b>150</b>	0	<b>400</b>	4.93	<b>650</b>	0	<b>900</b>	
	5		3.37		5		
	10		2.38		10		
	15		1.75		15		
	20		1.32		20		
<b>200</b>	0	<b>450</b>	1.38	<b>700</b>	0	<b>1000</b>	
	5				5		
	10				10		
	15				15		
	20				20		
<b>250</b>	0	<b>500</b>		<b>750</b>	0	<b>1100</b>	
	5				5		
	10				10		
	15				15		
	20				20		
<b>300</b>	0	<b>550</b>		<b>800</b>	0	<b>1200</b>	
	5				5		
	10				10		
	15				15		
	20				20		
<b>350</b>	0	<b>600</b>		<b>850</b>	0	<b>1300</b>	
	5				5		
	10				10		
	15				15		
	20				20		
<b>400</b>	0	<b>650</b>		<b>900</b>	0	<b>1400</b>	
	5				5		
	10				10		
	15				15		
	20				20		
<b>450</b>	0	<b>700</b>		<b>950</b>	0	<b>1500</b>	
	5				5		
	10				10		
	15				15		
	20				20		
<b>500</b>	0	<b>750</b>		<b>1000</b>	0	<b>1600</b>	
	5				5		
	10				10		
	15				15		
	20				20		
<b>600</b>	0	<b>800</b>		<b>1100</b>	0	<b>1700</b>	
	5				5		
	10				10		
	15				15		
	20				20		
<b>700</b>	0	<b>850</b>		<b>1200</b>	0	<b>1800</b>	
	5				5		
	10				10		
	15				15		
	20				20		
<b>800</b>	0	<b>900</b>		<b>1300</b>	0	<b>1900</b>	
	5				5		
	10				10		
	15				15		
	20				20		
<b>900</b>	0	<b>950</b>		<b>1400</b>	0	<b>2000</b>	
	5				5		
	10				10		
	15				15		
	20				20		
<b>1000</b>	0	<b>1000</b>		<b>1500</b>	0	<b>2100</b>	
	5				5		
	10				10		
	15				15		
	20				20		

Copyright© 2016 REV 07-2016

Mazzei Injector Company, LLC  
 500 Rooster Drive, Bakersfield, CA 93307-9555 USA

TEL 661.363.6500 • FAX 661.363.7500 • www.mazzei.net

*\*NUMBERS IN PARENTHESIS indicate the injector outlet pressure when suction stops (Zero Suction Point).*



**Injector Performance Table**  
**Air Suction Capacity - METRIC**

Operating Pressure kg/cm <sup>2</sup>		AIR SUCTION		Operating Pressure kg/cm <sup>2</sup>		AIR SUCTION	
Injector INLET	Injector OUTLET	Motive Flow l/min	Air Suction l/min	Injector INLET	Injector OUTLET	Motive Flow l/min	Air Suction l/min
0.35	0.00	287		4.22	0.00	974	1,015
	0.07		128		0.35		897
	0.14		37.8		0.70		644
	0.21		18.9		1.05		282
	0.28		*(0.29)		1.41		198
0.70	0.00	402	194		2.11		104
	0.14		121		2.46		73.6
	0.35		40.4		2.81		54.3
	0.49		20.0		3.16		*(3.44)
	0.56		*(0.60)				
1.05	0.00	490	376	4.92	0.00	1,050	
	0.35		90.0		0.35		1,060
	0.49		54.1		0.70		883
	0.70		27.1		1.05		375
	0.84		*(0.95)		1.41		260
1.41	0.00	566	508		2.11		149
	0.35		155		2.81		85.9
	0.70		56.7		3.16		64.7
	0.84		41.2		3.52		49.6
	1.05		*(1.20)		3.87		*(4.11)
1.76	0.00	632	617	5.62	0.00	1,126	
	0.35		245		0.35		1,095
	0.70		93.0		0.70		996
	1.05		44.6		1.05		571
	1.41		*(1.51)		1.41		334
2.11	0.00	693	700		2.11		199
	0.35		426		2.81		120
	0.70		131		3.52		72.2
	1.05		69.0		4.22		44.8
	1.41		39.4		4.57		*(4.75)
	1.76		*(1.79)				
2.46	0.00	745	776	6.33	0.00	1,194	
	0.35		594		0.35		1,083
	0.70		178		0.70		944
	1.05		101		1.41		407
	1.41		55.9		2.11		244
	1.76		*(2.07)		2.81		157
2.81	0.00	800	836		3.52		99.1
	0.35		613		4.22		59.9
	0.70		231		4.92		41.5
	1.05		136		5.27		*(5.38)
	1.41		82.8				
	1.76		50.7				
3.16	0.00	846	890	7.03	0.00	1,258	
	0.35		694		0.35		1,084
	0.70		287		0.70		991
	1.05		166		1.41		533
	1.41		109		2.11		295
	1.76		69.6		2.81		200
	2.11		43.6		3.52		131
	2.46		*(2.53)		4.22		82.1
3.52	0.00	893	932		4.92		58.1
	0.35		767		5.62		*(5.98)
	0.70		361				
	1.05		204				
	1.41		139				
	1.76		95.1				
	2.11		64.3				
	2.46		43.5				
	2.81		*(2.85)				
4.22	0.00	974		8.44	0.00	1,376	
	0.35		897		0.35		1,107
	0.70		644		0.70		1,048
	1.05		282		1.41		755
	1.41		198		2.11		397
	2.11		104		2.81		283
	2.46		73.6		3.52		202
	2.81		54.3		4.22		140
	3.16		40.6		4.92		95.3
	3.52		*(7.17)		5.62		67.5
4.92	0.00	1,050		8.44	0.00	1,376	
	0.35		883		0.35		1,107
	0.70		375		0.70		1,048
	1.05		260		1.41		755
	1.41		149		2.11		397
	2.11		85.9		2.81		283
	2.81		64.7		3.52		202
	3.16		49.6		4.22		140
	3.52		37.3		4.92		95.3
	3.87		*(4.11)		5.62		67.5
5.62	0.00	1,126		8.44	0.00	1,376	
	0.35		1,095		0.35		1,107
	0.70		996		0.70		1,048
	1.05		571		1.41		755
	1.41		334		2.11		397
	2.11		199		2.81		283
	2.81		120		3.52		202
	3.52		72.2		4.22		140
	4.22		44.8		4.92		95.3
	4.57		*(4.75)		5.62		67.5
6.33	0.00	1,194		8.44	0.00	1,376	
	0.35		1,083		0.35		1,107
	0.70		944		0.70		1,048
	1.41		407		1.41		755
	2.11		244		2.11		397
	2.81		157		2.81		283
	3.52		99.1		3.52		202
	4.22		59.9		4.22		140
	4.92		41.5		4.92		95.3
	5.27		*(5.38)		5.62		67.5
7.03	0.00	1,258		8.44	0.00	1,376	
	0.35		1,084		0.35		1,107
	0.70		991		0.70		1,048
	1.41		533		1.41		755
	2.11		295		2.11		397
	2.81		200		2.81		283
	3.52		131		3.52		202
	4.22		82.1		4.22		140
	4.92		58.1		4.92		95.3
	5.62		*(5.98)		5.62		67.5
8.44	0.00	1,376		8.44	0.00	1,376	
	0.35		1,107		0.35		1,107
	0.70		1,048		0.70		1,048
	1.41		755		1.41		755
	2.11		397		2.11		397
	2.81		283		2.81		283
	3.52		202		3.52		202
	4.22		140		4.22		140
	4.92		95.3		4.92		95.3
	5.62		67.5		5.62		67.5
6.33	49.6	6.33	49.6				
7.03	*(7.17)	7.03	39.2				

**Model 3090**

Copyright© 2016 REV 07-2016

Mazzei Injector Company, LLC  
 500 Rooster Drive, Bakersfield, CA 93307-9555 USA

TEL 661.363.6500 • FAX 661.363.7500 • www.mazzei.net

*\*NUMBERS IN PARENTHESIS indicate the injector outlet pressure when suction stops (Zero Suction Point).*