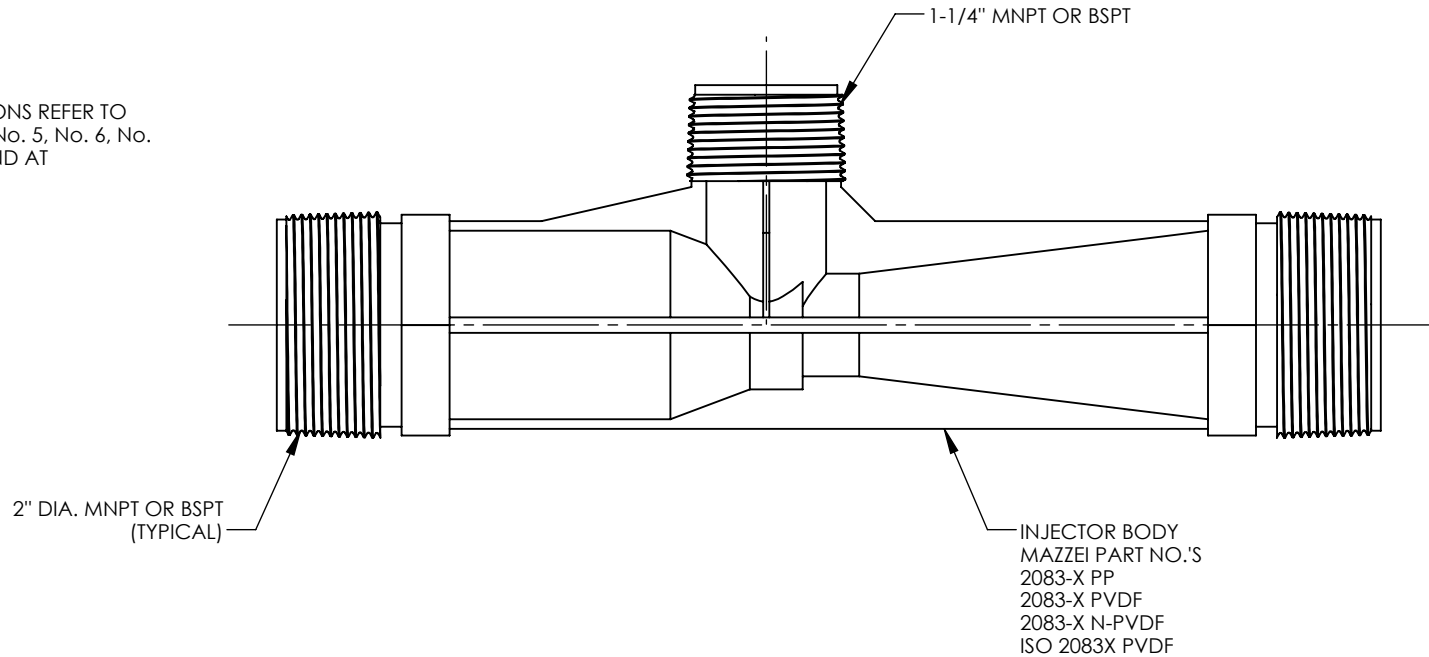
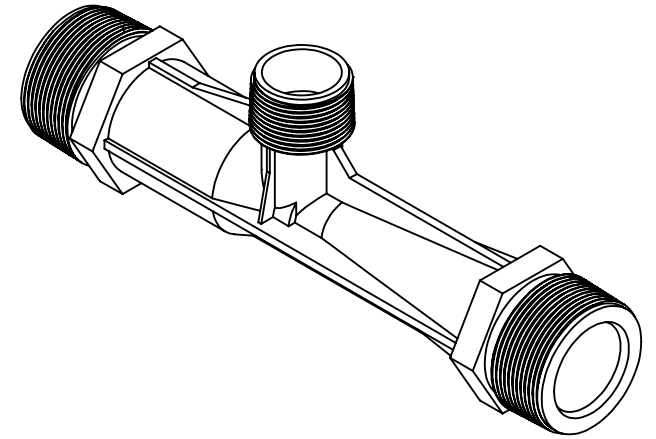


NOTES:

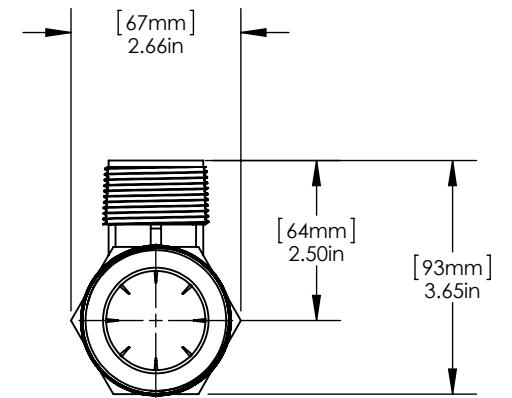
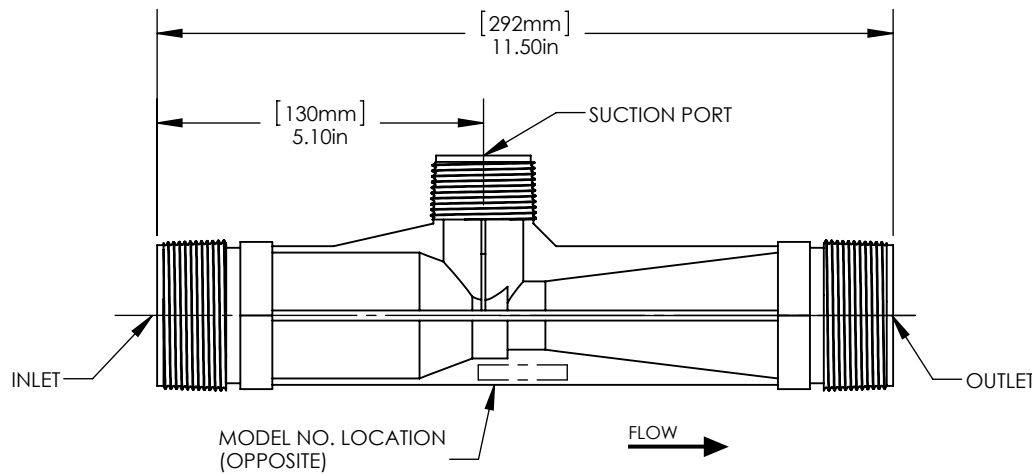
1. MADE IN THE U.S.A.
2. U.S. PATENT No. 5,863,128
3. U.S. No. 3,852,076 AND INTERNATIONAL REGISTERED TRADEMARKS
4. MATERIAL: GLASS FILLED POLYPROPYLENE (PP) OR POLYVINYLIDENE FLUORIDE (PVDF)
5. INLET/OUTLET CONNECTION:
2" DIA. MNPT OR BSPT
6. SUCTION PORT CONNECTION:
1-1/4" MNPT OR BSPT
7. FOR INSTALLATION RECOMMENDATIONS REFER TO MAZZEI TECHNICAL BULLETINS No. 4, No. 5, No. 6, No. 10 AND No. 11, WHICH CAN BE FOUND AT WWW.MAZZEI.NET.
8. MAZZEI INJECTOR CO., LLC.
500 ROOSTER DR.
BAKERSFIELD, CA 93307
TEL: 661.363.6500
WEB: WWW.MAZZEI.NET



UNLESS OTHERWISE SPECIFIED DIMENSIONS ARE IN INCHES			TITLE: 2" INJECTOR; MODEL 2083-X			
DRAWN: J. PEREZ	DATE: 9/24/2014		DRAWING NO.: 2083-X			
APPROVED: T. JOHNS	SIZE: A	WEIGHT: N/A	SCALE: 1:2	REV.: B	SHEET: 1 OF 2	



(ISOMETRIC VIEW)
(FOR REFERENCE ONLY)



UNLESS OTHERWISE SPECIFIED DIMENSIONS ARE IN INCHES		 Mazzei	TITLE: 2" INJECTOR; MODEL 2083-X		
DRAWN: J. PEREZ	DATE: 9/24/2014		DRAWING NO.: 2083-X		
APPROVED: T. JOHNS	SIZE: A	WEIGHT: N/A	SCALE: 1:3	REV.: B	SHEET: 2 OF 2



Injector Performance Table
Water Suction Capacity

Operating Pressure PSIG		WATER SUCTION		Operating Pressure PSIG		WATER SUCTION	
Injector INLET	Injector OUTLET	Motive Flow GPM	Water Suction GPH	Injector INLET	Injector OUTLET	Motive Flow GPM	Water Suction GPH
5	0	8.4	456	60	0	31.5	1,350
	1		157		5		1,362
	2				10		850
	3				15		520
	4		*(1.4)				
10	0	13.1	560		20		
	2		154		30		
	5				35		
	7				40		
	8		*(2.4)				45
15	0	16.1	671	70	0	33.7	1,430
	5				5		1,509
	7				10		1,261
	10				15		719
	12		*(3.7)				20
20	0	18.9	756		30		
	5		236		40		
	10				45		
	12				50		
	15		*(5.7)				55
25	0	21.8	811	80	0	34.8	1,454
	5		429		5		1,519
	10				10		1,396
	15				15		825
	20		*(7.1)				20
30	0	23.1	849		30		
	5		779		40		
	10				50		
	15				60		
	20				65		*(24.2)
35	0	24.4	853	90	0	36.6	1,486
	5		669		5		1,526
	10		288		10		1,481
	15				20		1,085
	20				30		638
40	0	26.4	897		40		
	5		919		50		
	10		388		60		
	15				70		
	25				75		*(31.7)
45	0	27.7	947	100	0	39.3	1,447
	5		748		5		1,524
	10		485		10		1,449
	15				20		1,009
	20				30		885
50	0	28.6	1,174		40		
	5		1,278		50		
	10		578		60		
	15				70		
	20				80		*(33.2)
60	0	31.5		120	0	43.2	1,456
	5				5		
	10				10		
	15				20		
	20				30		
	25				40		
	30				50		
	35				60		
	40				70		
	40		*(14.4)				80
			90				
			100	*(36.5)			

Copyright© 2014 REV 2014

Mazzei Injector Company, LLC
 500 Rooster Drive, Bakersfield, CA 93307-9555 USA

TEL 661.363.6500 • FAX 661.363.7500 • www.mazzei.net

*NUMBERS IN PARENTHESIS indicate the injector outlet pressure when suction stops (Zero Suction Point).

Model 2083X



Injector Performance Table
Water Suction Capacity - METRIC

Operating Pressure kg/cm ²		WATER SUCTION		Operating Pressure kg/cm ²		WATER SUCTION	
Injector Inlet	Injector Outlet	Motive Flow l/min	Water Suction l/hr	Injector Inlet	Injector Outlet	Motive Flow l/min	Water Suction l/hr
0.35	0.00	31.8	1,726	4.22	0.00	119	5,110
	0.07		597		0.35		5,157
	0.14				0.70		3,220
	0.21				1.05		1,969
	0.28		*(0.10)		1.41		
0.70	0.00	49.6	2,122		2.11		
	0.14		583		2.46		
	0.35				2.81		
	0.49				3.16		*(1.26)
	0.56		*(0.17)				
1.05	0.00	60.9	2541	4.92	0.00	128	5,413
	0.35				0.35		5,714
	0.49				0.70		4,774
	0.70				1.05		2,723
	0.84		*(0.26)		1.41		1,660
1.41	0.00	71.5	2,865		2.11		
	0.35		896		2.81		
	0.70				3.16		
	0.84				3.52		
	1.05		*(0.40)		3.87		*(1.47)
1.76	0.00	82.5	3,071	5.62	0.00	132	5,504
	0.35		1,625		0.35		5,750
	0.70				0.70		5,286
	1.05				1.05		3,125
	1.41		*(0.50)		1.41		2,176
2.11	0.00	87.4	3,214		2.11		
	0.35		2,950		2.81		
	0.70				3.52		
	1.05				4.22		
	1.41				4.57		*(1.70)
	1.76		*(0.62)				
2.46	0.00	92.3	3,230	6.33	0.00	138	5,625
	0.35		2,535		0.35		5,778
	0.70		1,090		0.70		5,607
	1.05				1.41		4,109
	1.41				2.11		2,415
	1.76		*(0.73)		2.81		
2.81	0.00	99.9	3,396		3.52		
	0.35		3,481		4.22		
	0.70		1,471		4.92		*(2.23)
	1.05				5.27		
	1.41						
	1.76		*(0.82)				
3.16	0.00	105	3,587	7.03	0.00	149	5,479
	0.35		2,834		0.35		5,769
	0.70		1,838		0.70		5,487
	1.05				1.41		3,821
	1.41				2.11		3,351
	1.76				2.81		
	2.11				3.52		
2.46	*(0.94)	4.22					
3.52	0.00	108	4,447		4.92		
	0.35		4,838		5.62		*(2.33)
	0.70		2,189				
	1.05						
	1.41						
	1.76						
	2.11						
	2.46						
	2.81		*(1.01)				
8.44	0.00	163		8.44	0.00	163	5,513
	0.35				0.35		
	0.70				0.70		
	1.41				1.41		
	2.11				2.11		
	2.81				2.81		
	3.52				3.52		
	4.22				4.22		
	4.92				4.92		
	5.62				5.62		
6.33		6.33					
7.03		7.03	*(2.57)				

Copyright© 2014 REV 2014

Mazzei Injector Company, LLC
 500 Rooster Drive, Bakersfield, CA 93307-9555 USA

TEL 661.363.6500 • FAX 661.363.7500 • www.mazzei.net

**NUMBERS IN PARENTHESIS indicate the injector outlet pressure when suction stops (Zero Suction Point).*

Model 2083X