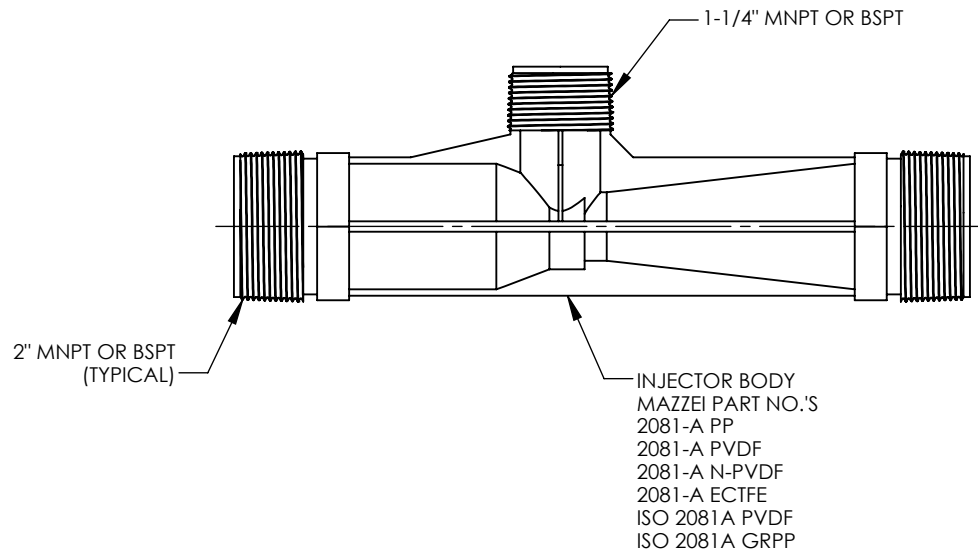

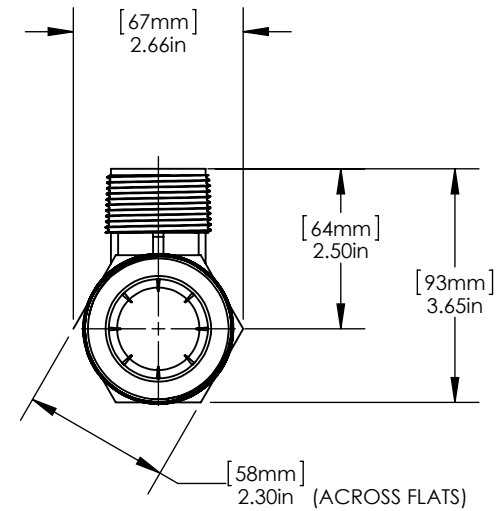
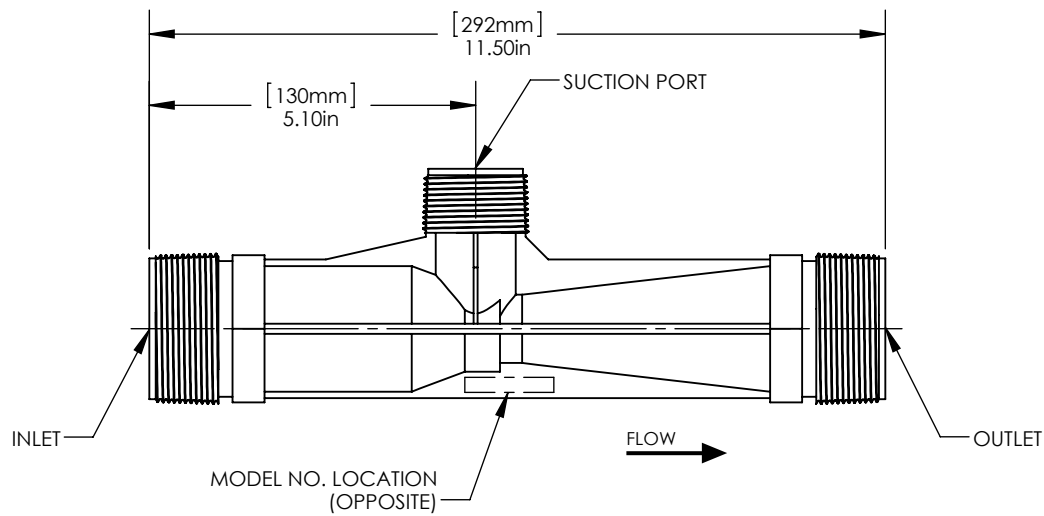
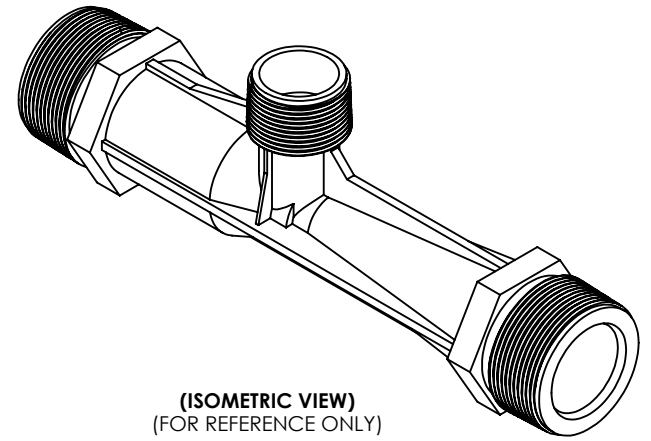



NOTES:

1. MADE IN THE U.S.A.
2. U.S. PATENT No. 5,863,128
3. U.S. No. 3,852,076 AND INTERNATIONAL REGISTERED TRADEMARKS
4. MATERIAL: GLASS FILLED POLYPROPYLENE (PP) OR POLYVINYLIDENE FLUORIDE (PVDF) OR NATURAL POLYVINYLIDENE FLUORIDE (N-PVDF) OR ETHYLENE CHLOROTRIFLUOROETHYLENE (ECTFE).
5. INLET/OUTLET CONNECTION:
2" MNPT OR BSPT
6. SUCTION PORT CONNECTION:
1-1/4" MNPT OR BSPT
7. FOR INSTALLATION RECOMMENDATIONS REFER TO MAZZEI TECHNICAL BULLETINS No. 4, No. 5, No. 6, No. 10 AND No. 11, WHICH CAN BE FOUND AT WWW.MAZZEI.NET.
8. MAZZEI INJECTOR CO., LLC.
500 ROOSTER DR.
BAKERSFIELD, CA 93307
TEL: 661.363.6500
WEB: WWW.MAZZEI.NET



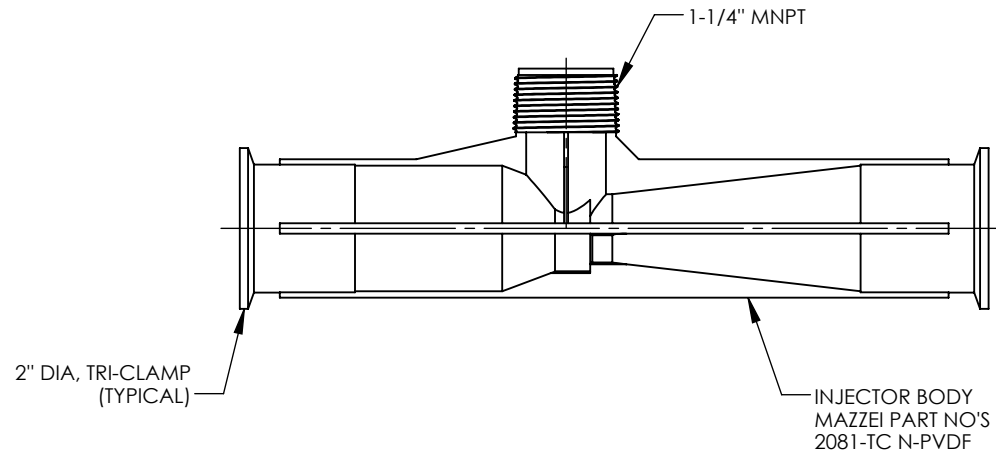
UNLESS OTHERWISE SPECIFIED DIMENSIONS ARE IN INCHES			TITLE: 2" INJECTOR; MODEL 2081-A		
DRAWN: G. NOVINS	DATE: 7/23/2014		DRAWING NO.: 2081-A		
APPROVED: T. JOHNS	SIZE: A	WEIGHT: N/A	SCALE: 1:3	REV.: B	SHEET: 1 OF 2



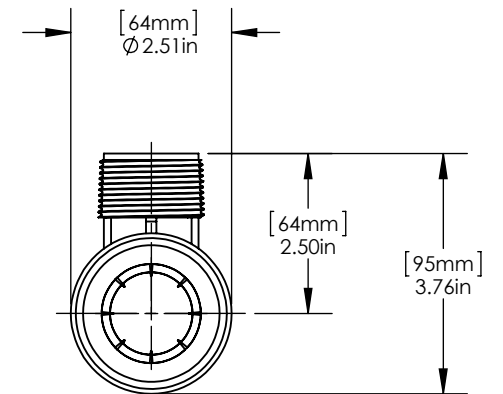
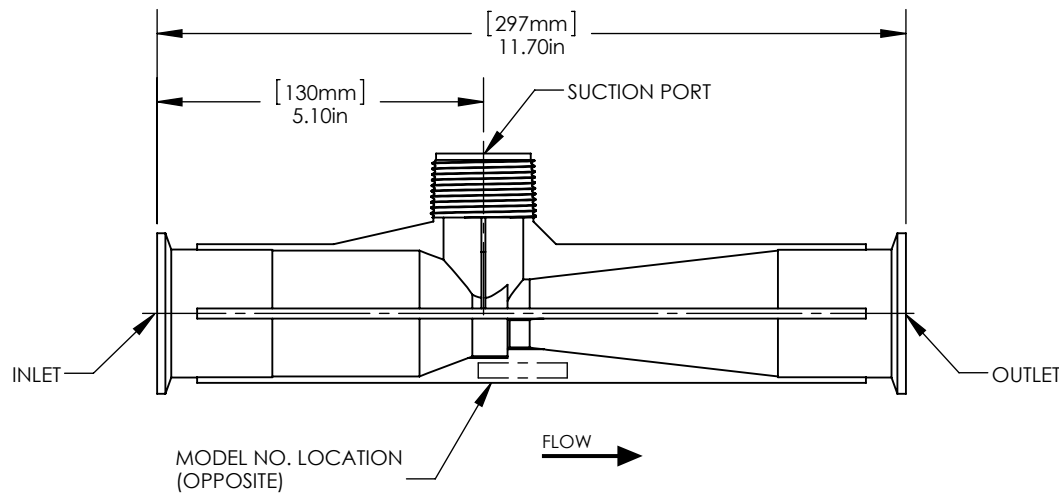
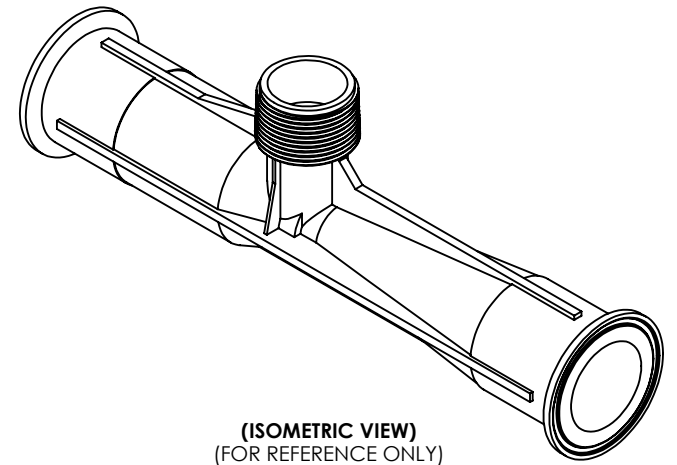
UNLESS OTHERWISE SPECIFIED DIMENSIONS ARE IN INCHES		 Mazzei	TITLE: 2" INJECTOR; MODEL 2081-A		
DRAWN: G. NOVINS	DATE: 7/23/2014		DRAWING NO.: 2081-A		
APPROVED: T. JOHNS	SIZE: A	WEIGHT: N/A	SCALE: 1:3	REV.: B	SHEET: 2 OF 2

NOTES:

1. MADE IN THE U.S.A.
2. U.S. PATENT No. 5,863,128
3. U.S. No. 3,852,076 AND INTERNATIONAL REGISTERED TRADEMARKS
4. MATERIAL: NATURAL POLYVINYLIDENE FLUORIDE (N-PVDF).
5. INLET/OUTLET CONNECTION:
2" DIA, TRI-CLAMP
6. SUCTION PORT CONNECTION:
1-1/4" MNPT
7. FOR INSTALLATION RECOMMENDATIONS REFER TO MAZZEI TECHNICAL BULLETINS No. 4, No. 5, No. 6, No. 10 AND No. 11, WHICH CAN BE FOUND AT WWW.MAZZEI.NET.
8. MAZZEI INJECTOR CO., LLC.
500 ROOSTER DR.
BAKERSFIELD, CA 93307
TEL: 661.363.6500
WEB: WWW.MAZZEI.NET



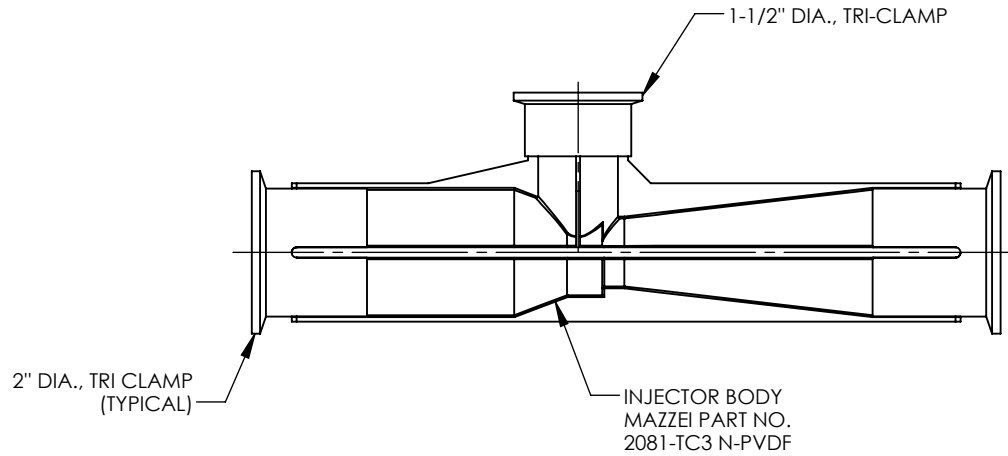
UNLESS OTHERWISE SPECIFIED DIMENSIONS ARE IN INCHES			TITLE: 2" INJECTOR; MODEL 2081-TC			
DRAWN: J. PEREZ	DATE: 9/25/2014		DRAWING NO.: 2081-TC			
APPROVED: T. JOHNS	SIZE: A	WEIGHT: N/A	SCALE: 1:3	REV.: A	SHEET: 1 OF 2	



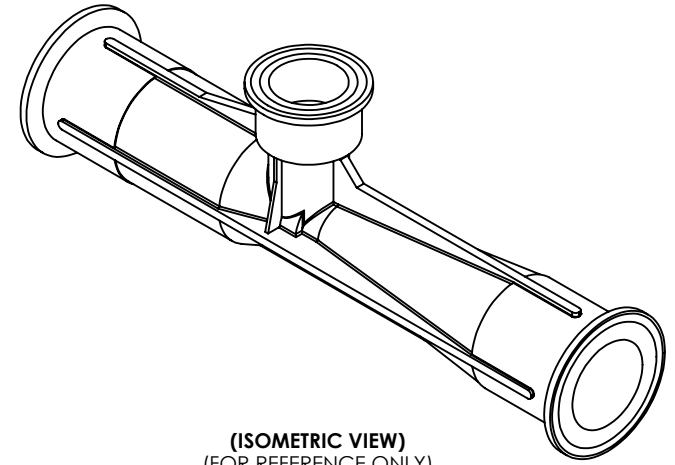
UNLESS OTHERWISE SPECIFIED DIMENSIONS ARE IN INCHES			TITLE: 2" INJECTOR; MODEL 2081-TC		
DRAWN: J. PEREZ	DATE: 9/25/2014		DRAWING NO.: 2081-TC		
APPROVED: T. JOHNS	SIZE: A	WEIGHT: N/A	SCALE: 1:3	REV.: A	SHEET: 2 OF 2

NOTES:

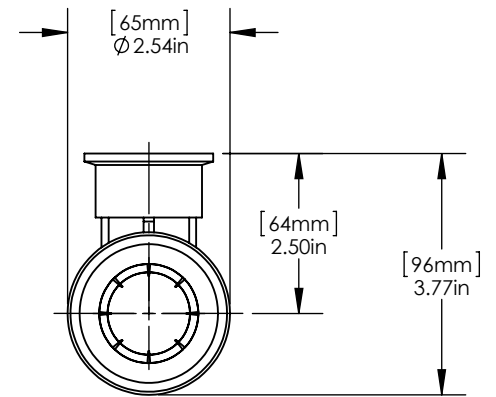
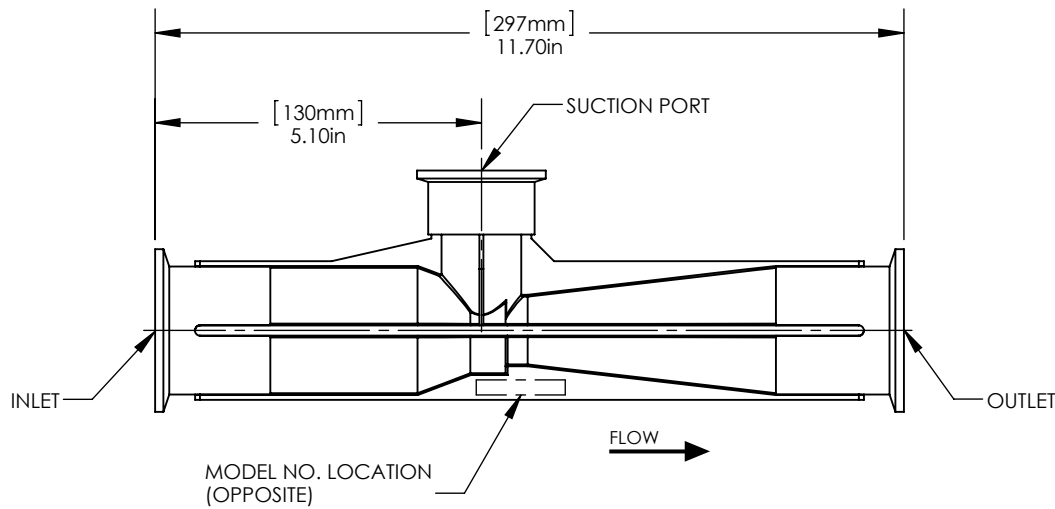
1. MADE IN THE U.S.A.
2. U.S. PATENT No. 5,863,128
3. U.S. No. 3,852,076 AND INTERNATIONAL REGISTERED TRADEMARKS
4. MATERIAL: MATERIAL: NATURAL POLYVINYLIDENE FLUORIDE (N-PVDF)
5. INLET/OUTLET CONNECTION:
2" DIA, TRI CLAMP
6. SUCTION PORT CONNECTION:
1-1/2" DIA, TRI CLAMP
7. FOR INSTALLATION RECOMMENDATIONS REFER TO MAZZEI TECHNICAL BULLETINS No. 4, No. 5, No. 6, No. 10 AND No. 11, WHICH CAN BE FOUND AT WWW.MAZZEI.NET.
8. MAZZEI INJECTOR CO., LLC.
500 ROOSTER DR.
BAKERSFIELD, CA 93307
TEL: 661.363.6500
WEB: WWW.MAZZEI.NET



UNLESS OTHERWISE SPECIFIED DIMENSIONS ARE IN INCHES			TITLE: 2" INJECTOR; MODEL 2081-TC3		
DRAWN: J. PEREZ	DATE: 9/23/2014		DRAWING NO.: 2081-TC3		
APPROVED: T. JOHNS	SIZE: A	WEIGHT: N/A	SCALE: 1:3	REV.: B	SHEET: 1 OF 2



(ISOMETRIC VIEW)
(FOR REFERENCE ONLY)

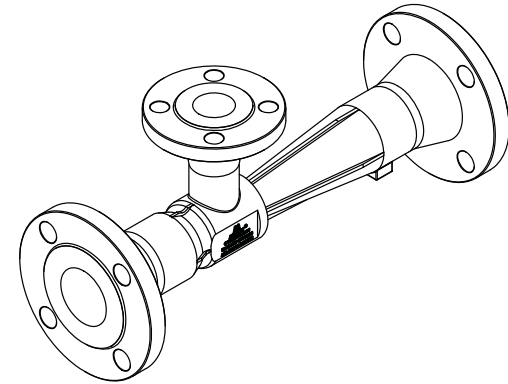


UNLESS OTHERWISE SPECIFIED DIMENSIONS ARE IN INCHES			TITLE: 2" INJECTOR; MODEL 2081-TC3		
DRAWN: J. PEREZ	DATE: 9/23/2014		DRAWING NO.: 2081-TC3		
APPROVED: T. JOHNS	SIZE: A	WEIGHT: N/A	SCALE: 1:3	REV.: B	SHEET: 2 OF 2

NOTES:


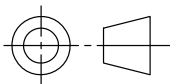
1. MATERIAL OF CONSTRUCTION: CF3M STAINLESS STEEL
2. MTR/HEAT NUMBERS ARE PROVIDED AND SHALL MEET APPLICABLE MATERIAL SPECIFICATIONS.
3. FLANGE BOLTS HOLES TO STRADDLE COMMON CENTERLINES, UNLESS OTHERWISE NOTED.
4. INLET/OUTLET CONNECTION:
2" NOMINAL DIA., ANSI B16.5, CLASS 150, SCHED. 40, RAISED FACE - WELD NECK FLANGE
5. SUCTION PORT CONNECTION:
1.25" NOMINAL DIA., ANSI B16.5, CLASS 150, SCHED. 40, RAISED FACE - WELD NECK FLANGE
6. WELDING JOINTS TO BE COMPLETE JOINT PENETRATION, WHERE POSSIBLE.
7. HYDROTESTING MAY BE PERFORMED IN ACCORDANCE WITH MAZZEI SOP NO. 6090.
8. DYE PENETRANT TESTING MAY BE PERFORMED IN ACCORDANCE WITH MAZZEI SOP NO. 6095.
9. CLEANED FOR PASSIVATION PER ASTM A380 GUIDELINES.
10. PASSIVATED PER ASTM A967 SPECIFICATION.
11. FINISH: EXTERIOR BEAD BLASTED.
12. WELD MAP, NON DESTRUCTIVE TESTING (NDT), CLEANING AND INSPECTION REPORTS TO BE PROVIDED BY MAZZEI.

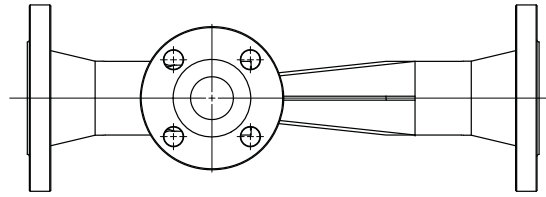
REVISIONS			
REV.	DESCRIPTION	DATE	APPROVED
0	RELEASED FOR SUBMITTAL.	7/14/2017	J. WILSON



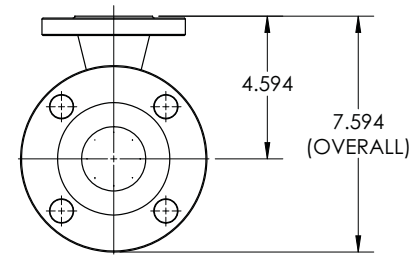
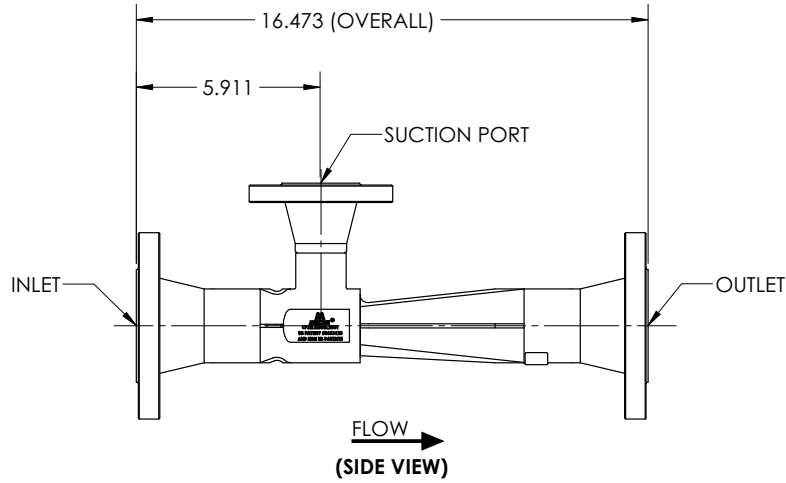
(ISOMETRIC VIEW)
(FOR REFERENCE ONLY)

SUBMITTAL DRAWING


SUBMITTAL NOTICE		CONFIDENTIALITY NOTICE		UNLESS OTHERWISE SPECIFIED DIM ARE IN INCHES TOL ON ANGLE ± .50° 2 PL ± .125 3 PL ± .0625 INTERPRET DIM AND TOL PER ASME Y14.5M-1994		APPROVALS		DATE		 MAZZEI INJECTOR CO., LLC 500 ROOSTER DRIVE BAKERSFIELD, CA 93307 PHONE: (661) 363-6500 FAX: (661)363-7500 WWW.MAZZEI.NET			
ANY RECOMMENDATIONS FOR PRODUCT AND/OR SYSTEM DESIGN, WHETHER CONTAINED IN A DOCUMENT, WITHIN THIS DRAWING, COMMUNICATED BY ELECTRONIC MEANS OR GIVEN VERBALLY, ARE INTENDED SOLELY AS GUIDELINES TO ACTUAL SYSTEM DESIGN. SAID RECOMMENDATIONS ARE BASED UPON INFORMATION SUPPLIED BY OTHERS, THE ACCURACY OF WHICH IS BEYOND VERIFICATION BY MAZZEI INJECTOR CO. LLC. THEREFORE MAZZEI CANNOT AND DOES NOT WARRANT THE SUITABILITY OF ITS PRODUCTS FOR A PARTICULAR SERVICE NOR THE PERFORMANCE OF ANY SYSTEM CONTAINING COMPONENTS MADE OR SOLD BY MAZZEI.		THE INFORMATION CONTAINED IN THIS DRAWING IS THE SOLE PROPERTY OF MAZZEI INJECTOR COMPANY LLC. ANY REPRODUCTION IN PART OR AS A WHOLE WITHOUT THE WRITTEN PERMISSION OF MAZZEI IS STRICTLY PROHIBITED.		THIRD ANGLE PROJECTION 		DRAWN: J. PEREZ		7/13/2017				INJECTOR, SSC02081DAA00 SIZE: B JOB NO.: N/A DRAWING NUMBER: SSC02081DAA00 REV: 0 SCALE: NONE WEIGHT: 20 LBS SHEET: 1 OF 2	
DRAWING MAY NOT BE PRINTED FULL SIZE DO NOT SCALE						CHECKED: K. COBAR		7/14/2017		APPROVED: J. WILSON			
				QA: -		CUSTOMER APPROVAL: -		CUSTOMER: N/A					



(TOP VIEW)



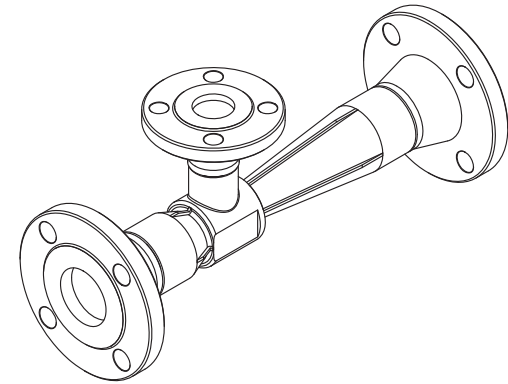
(END VIEW)

		MAZZEI INJECTOR CO., LLC 500 ROOSTER DRIVE BAKERSFIELD, CA 93307 PHONE: (661) 363-6500 FAX: (661)363-7500 WWW.MAZZEI.NET	
		DESCRIPTION: INJECTOR, SSC02081DAA00	
SIZE:	JOB NO.:	DRAWING NUMBER:	REV:
B	N/A	SSC02081DAA00-SUB	0
SCALE:	WEIGHT:	SHEET:	
1:4	20 LBS	2 OF 2	

NOTES:

1. MATERIAL OF CONSTRUCTION: CD3MN/2205 DUPLEX STAINLESS STEEL
2. MTR/HEAT NUMBERS ARE PROVIDED "AS BUILT" AND SHALL MEET APPLICABLE MATERIAL SPECIFICATIONS.
3. FLANGE BOLTS HOLES TO STRADDLE COMMON CENTERLINES, UNLESS OTHERWISE NOTED.
4. INLET/OUTLET CONNECTION: 2" DIA., ANSI B16.5, CLASS 150, SCHED. 40, RAISED FACE - WELD NECK FLANGE.
5. SUCTION PORT CONNECTION: 1.25" DIA., ANSI B16.5, CLASS 150, SCHED. 40, RAISED FACE - WELD NECK FLANGE.
6. WELDING JOINTS TO BE COMPLETE JOINT PENETRATION, WHERE POSSIBLE.
7. DYE PENETRANT TESTING IN ACCORDANCE WITH ASME B31.3 NORMAL SERVICE RECOMMENDATIONS WILL BE PERFORMED ON A MINIMUM OF 20% OF LINEAR LENGTH OF WELDS; OR HYDROSTATIC TESTING WILL BE PERFORMED AS PART OF MAZZEI'S NON-DESTRUCTIVE TESTING PROCEDURE.
8. CLEANED FOR PASSIVATION PER ASTM A380 GUIDELINES.
9. PASSIVATED PER ASTM A967 SPECIFICATION.
10. WELD MAP, NON DESTRUCTIVE TESTING (NDT), CLEANING AND INSPECTION REPORTS TO BE PROVIDED BY MAZZEI.
11. MAZZEI RECOMMENDS INSTALLING THE INJECTOR IN A HORIZONTAL POSITION OR IN A VERTICAL POSITION WITH THE LIQUID FLOW UP. MAZZEI DOESN'T HAVE ANY PREFERENCE FOR THE POSITION OF THE GAS CONNECTION, IT CAN POINT IN ANY DIRECTION, TOP, BOTTOM OR ON THE SIDE.

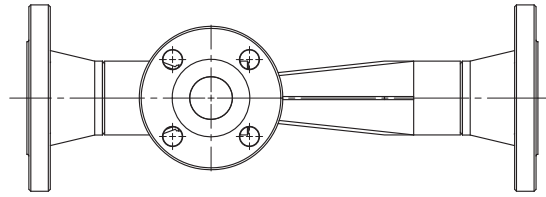
REVISIONS			
REV.	DESCRIPTION	DATE	APPROVED
NC	RELEASED FOR SUBMITTAL.	11/9/2012	P. BANKOWSKI



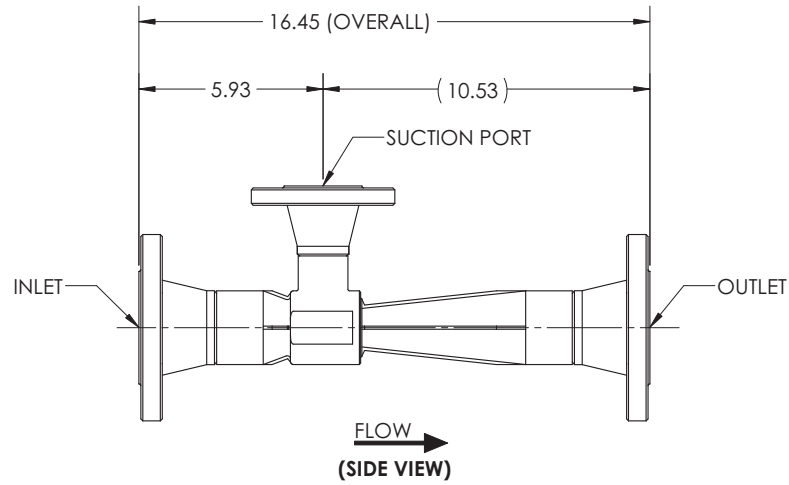
(ISOMETRIC VIEW)
(FOR REFERENCE ONLY)

SUBMITTAL DRAWING

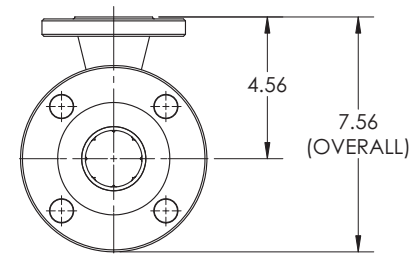
SUBMITTAL NOTICE	CONFIDENTIALITY NOTICE	UNLESS OTHERWISE SPECIFIED DIM ARE IN INCHES TOL ON ANGLE ± .1/2° 1 PL ± .125 2 PL ± .060 3 PL ± .030 INTERPRET DIM AND TOL PER ASME Y14.5M-1994	APPROVALS	DATE	MAZZEI	MAZZEI INJECTOR CO., LLC 500 ROOSTER DRIVE BAKERSFIELD, CA 93307 PHONE: (661) 363-6500 FAX: (661)363-7500 WWW.MAZZEI.NET
ANY RECOMMENDATIONS FOR PRODUCT AND/OR SYSTEM DESIGN, WHETHER CONTAINED IN A DOCUMENT, WITHIN THIS DRAWING, COMMUNICATED BY ELECTRONIC MEANS OR GIVEN VERBALLY, ARE INTENDED SOLELY AS GUIDELINES TO ACTUAL SYSTEM DESIGN. SAID RECOMMENDATIONS ARE BASED UPON INFORMATION SUPPLIED BY OTHERS, THE ACCURACY OF WHICH IS BEYOND VERIFICATION BY MAZZEI INJECTOR CO. LLC. THEREFOR MAZZEI CANNOT AND DOES NOT WARRANT THE SUITABILITY OF ITS PRODUCTS FOR A PARTICULAR SERVICE NOR THE PERFORMANCE OF ANY SYSTEM CONTAINING COMPONENTS MADE OR SOLD BY MAZZEI.	THE INFORMATION CONTAINED IN THIS DRAWING IS THE SOLE PROPERTY OF MAZZEI INJECTOR COMPANY LLC. ANY REPRODUCTION IN PART OR AS A WHOLE WITHOUT THE WRITTEN PERMISSION OF MAZZEI IS STRICTLY PROHIBITED.	THIRD ANGLE PROJECTION 	DRAWN: T. JOHNS	11/9/2012	TITLE: INJECTOR; MODEL SSC2081-M	REV: NC
			CHECKED: J. BENNETT	11/9/2012		
			APPROVED: P. BANKOWSKI	11/9/2012	SIZE: B	JOB NO.: NA
	DRAWING MAY NOT BE PRINTED FULL SIZE DO NOT SCALE		CUSTOMER APPROVAL: -		DRAWING NUMBER: SSC02081MAA00-SUB	WEIGHT: 21 LBS
			CUSTOMER: NA		SCALE: NONE	SHEET: 1 OF 2




(TOP VIEW)



(SIDE VIEW)



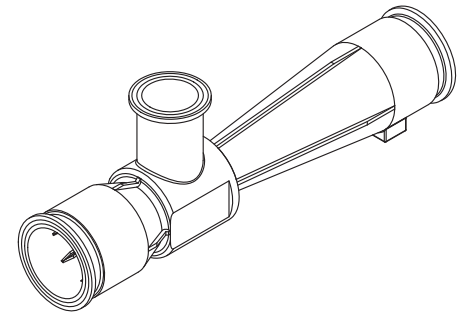
(END VIEW)

		MAZZEI INJECTOR CO., LLC 500 ROOSTER DRIVE BAKERSFIELD, CA 93307 PHONE: (661) 363-6500 FAX: (661)363-7500 WWW.MAZZEI.NET	
		TITLE: INJECTOR; MODEL SSC2081-M	
SIZE:	JOB NO.:	DRAWING NUMBER:	REV:
B	NA	SSC02081MAA00-SUB	NC
SCALE:	WEIGHT:	SHEET:	
1:4	21 LBS		2 OF 2

NOTES:


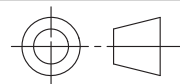
1. MATERIAL OF CONSTRUCTION: CD3MN STAINLESS STEEL
2. MTR/HEAT NUMBERS ARE PROVIDED "AS BUILT" AND SHALL MEET APPLICABLE MATERIAL SPECIFICATIONS.
3. INLET/OUTLET CONNECTION:
2" DIA., SANITARY TRI-CLAMP FITTING
MATERIAL: CD3MN
SPECIFICATION: ASME BPE-2009
4. SUCTION PORT CONNECTION:
1.50" DIA., SANITARY TRI-CLAMP FITTING
MATERIAL: CD3MN
SPECIFICATION: ASME BPE-2009
5. WELDING JOINTS TO BE COMPLETE JOINT PENETRATION, WHERE POSSIBLE.
6. DYE PENETRANT TESTING IN ACCORDANCE WITH ASME B31.3 NORMAL SERVICE RECOMMENDATIONS WILL BE PERFORMED ON A MINIMUM OF 20% OF LINEAR LENGTH OF WELDS; OR HYDROSTATIC TESTING WILL BE PERFORMED AS PART OF MAZZEI'S NON-DESTRUCTIVE TESTING PROCEDURE.
7. CLEANED FOR PASSIVATION PER ASTM A380 GUIDELINES.
8. PASSIVATED PER ASTM A967 SPECIFICATION.
9. WELD MAP, NON DESTRUCTIVE TESTING (NDT), CLEANING AND INSPECTION REPORTS TO BE PROVIDED BY MAZZEI.
10. MAZZEI RECOMMENDS INSTALLING THE INJECTOR IN A HORIZONTAL POSITION. INJECTORS MAY BE INSTALLED IN A VERTICAL POSITION WITH THE LIQUID FLOW UPWARDS. HOWEVER, IN CERTAIN APPLICATIONS THIS MAY AFFECT PERFORMANCE. PLEASE REFER TO MAZZEI TECHNICAL BULLETIN No. 11; "MAZZEI INJECTOR INSTALLATION RECOMMENDATIONS FOR GAS TO LIQUID MIXING APPLICATIONS".

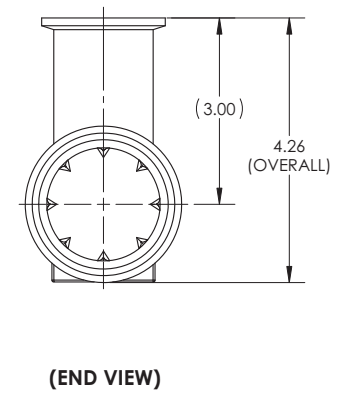
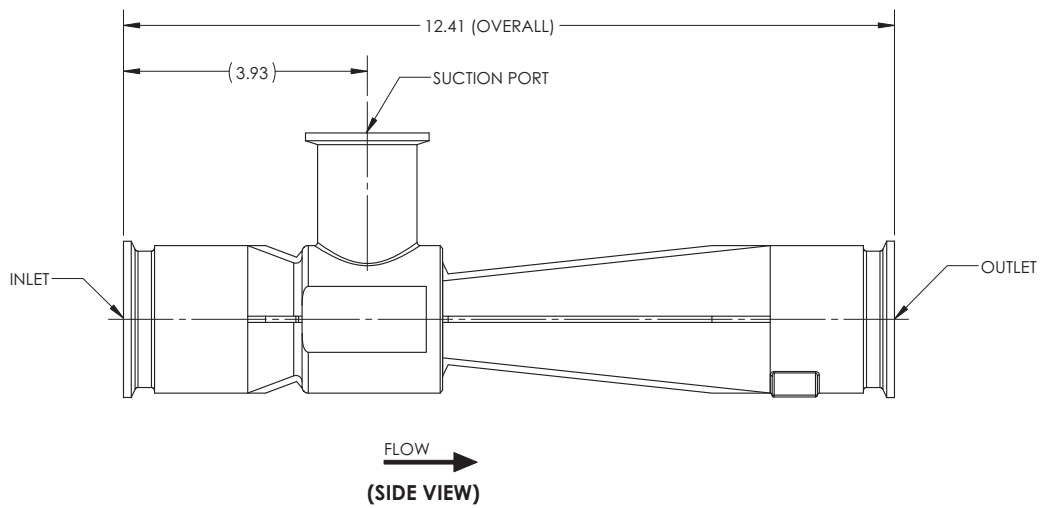
REVISIONS			
REV.	DESCRIPTION	DATE	APPROVED
NC	RELEASED FOR SUBMITTAL.	4/12/2013	P. BANKOWSKI




(ISOMETRIC VIEW)
(FOR REFERENCE ONLY)

SUBMITTAL DRAWING

SUBMITTAL NOTICE	CONFIDENTIALITY NOTICE	UNLESS OTHERWISE SPECIFIED DIM ARE IN INCHES TOL ON ANGLE ± .1/2° 1 PL ± .125 2 PL ± .060 3 PL ± .030 INTERPRET DIM AND TOL PER ASME Y14.5M-1994	APPROVALS	DATE		MAZZEI INJECTOR CO., LLC 500 ROOSTER DRIVE BAKERSFIELD, CA 93307 PHONE: (661) 363-6500 FAX: (661)363-7500 WWW.MAZZEI.NET		
ANY RECOMMENDATIONS FOR PRODUCT AND/OR SYSTEM DESIGN, WHETHER CONTAINED IN A DOCUMENT, WITHIN THIS DRAWING, COMMUNICATED BY ELECTRONIC MEANS OR GIVEN VERBALLY, ARE INTENDED SOLELY AS GUIDELINES TO ACTUAL SYSTEM DESIGN. SAID RECOMMENDATIONS ARE BASED UPON INFORMATION SUPPLIED BY OTHERS, THE ACCURACY OF WHICH IS BEYOND VERIFICATION BY MAZZEI INJECTOR CO. LLC. THEREFOR MAZZEI CANNOT AND DOES NOT WARRANT THE SUITABILITY OF ITS PRODUCTS FOR A PARTICULAR SERVICE NOR THE PERFORMANCE OF ANY SYSTEM CONTAINING COMPONENTS MADE OR SOLD BY MAZZEI.	THE INFORMATION CONTAINED IN THIS DRAWING IS THE SOLE PROPERTY OF MAZZEI INJECTOR COMPANY LLC. ANY REPRODUCTION IN PART OR AS A WHOLE WITHOUT THE WRITTEN PERMISSION OF MAZZEI IS STRICTLY PROHIBITED.	THIRD ANGLE PROJECTION 	DRAWN: T. JOHNS	4/12/2013			INJECTOR; MODEL SSC2081-M	
			CHECKED: J. MILLAN	4/12/2013	APPROVED: P. BANKOWSKI	4/12/2013		
	DRAWING MAY NOT BE PRINTED FULL SIZE DO NOT SCALE		CUSTOMER APPROVAL: -		SIZE: B	JOB NO.: NA	DRAWING NUMBER: SSC02081MBB00-SUB	REV: NC
			CUSTOMER: NA		SCALE: NONE	WEIGHT: 6 LBS	SHEET: 1 OF 2	

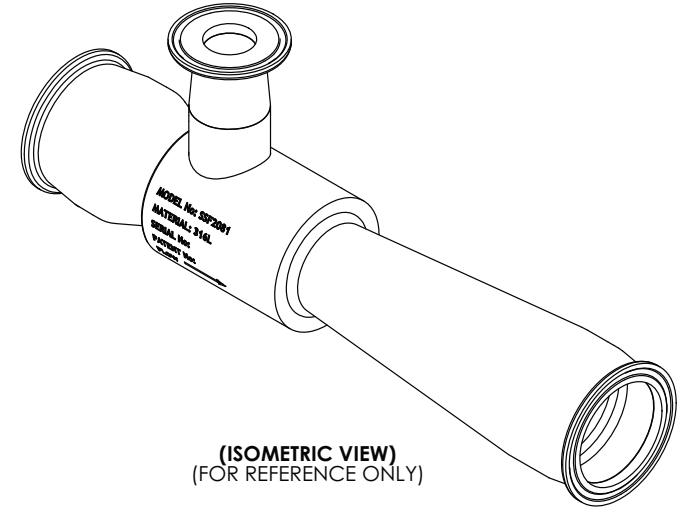


		MAZZEI INJECTOR CO., LLC 500 ROOSTER DRIVE BAKERSFIELD, CA 93307 PHONE: (661) 363-6500 FAX: (661)363-7500 WWW.MAZZEI.NET	
		TITLE: INJECTOR; MODEL SSC2081-M	
SIZE:	JOB NO.:	DRAWING NUMBER:	REV:
B	NA	SSC02081MBB00-SUB	NC
SCALE:	WEIGHT:	SHEET:	
1:2	6 LBS		2 OF 2


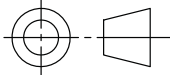
NOTES:

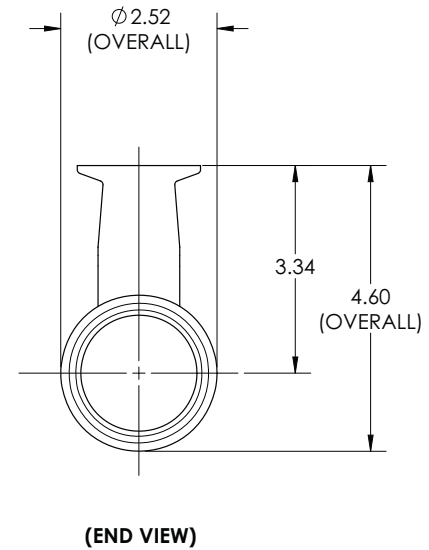
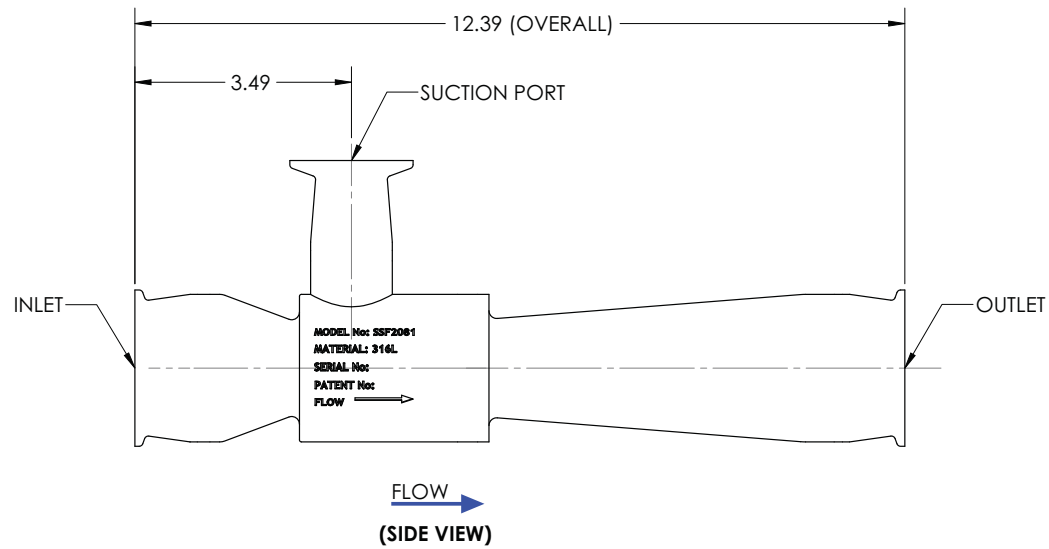
1. MATERIAL OF CONSTRUCTION: TYPE 316L, STAINLESS STEEL
2. MTR/HEAT NUMBERS ARE PROVIDED AND SHALL MEET APPLICABLE MATERIAL SPECIFICATIONS.
3. INLET/OUTLET CONNECTION:
2" NOMINAL DIA., ASME BPE-2008, SANITARY TRI-CLAMP FITTING
4. SUCTION PORT CONNECTION:
1" NOMINAL DIA., ASME BPE-2008, SANITARY TRI-CLAMP FITTING
5. WELDING JOINTS TO BE COMPLETE JOINT PENETRATION, WHERE POSSIBLE.
6. HYDROTESTING MAY BE PERFORMED IN ACCORDANCE WITH MAZZEI SOP NO. 6090.
7. DYE PENETRANT TESTING MAY BE PERFORMED IN ACCORDANCE WITH MAZZEI SOP NO. 6095.
8. CLEANED FOR PASSIVATION PER ASTM A380 GUIDELINES.
9. PASSIVATED PER ASTM A967 AND/OR ASTM B812 SPECIFICATION.
10. WELD MAP, NON DESTRUCTIVE TESTING (NDT), CLEANING, SURFACE INSPECTION CERTIFICATE AND INSPECTION REPORTS TO BE PROVIDED BY MAZZEI.


REVISIONS			
REV.	DESCRIPTION	DATE	APPROVED
NC	RELEASED FOR SUBMITTAL.	10/21/2014	J. BENNETT
A	UPDATED NOTES & SHEET FORMAT.	3/13/2015	J. BENNETT



SUBMITTAL DRAWING

SUBMITTAL NOTICE		CONFIDENTIALITY NOTICE		UNLESS OTHERWISE SPECIFIED		APPROVALS		DATE		MAZZEI INJECTOR CO., LLC	
ANY RECOMMENDATIONS FOR PRODUCT AND/OR SYSTEM DESIGN, WHETHER CONTAINED IN A DOCUMENT, WITHIN THIS DRAWING, COMMUNICATED BY ELECTRONIC MEANS OR GIVEN VERBALLY, ARE INTENDED SOLELY AS GUIDELINES TO ACTUAL SYSTEM DESIGN. SAID RECOMMENDATIONS ARE BASED UPON INFORMATION SUPPLIED BY OTHERS, THE ACCURACY OF WHICH IS BEYOND VERIFICATION BY MAZZEI INJECTOR CO. LLC. THEREFORE MAZZEI CANNOT AND DOES NOT WARRANT THE SUITABILITY OF ITS PRODUCTS FOR A PARTICULAR SERVICE NOR THE PERFORMANCE OF ANY SYSTEM CONTAINING COMPONENTS MADE OR SOLD BY MAZZEI.		THE INFORMATION CONTAINED IN THIS DRAWING IS THE SOLE PROPERTY OF MAZZEI INJECTOR COMPANY LLC. ANY REPRODUCTION IN PART OR AS A WHOLE WITHOUT THE WRITTEN PERMISSION OF MAZZEI IS STRICTLY PROHIBITED.		DIM ARE IN INCHES TOL ON ANGLE ± .50° 2 PL ± .06 3 PL ± .030 INTERPRET DIM AND TOL PER ASME Y14.5M-1994		DRAWN: J. PEREZ		10/21/2014		 500 ROOSTER DRIVE BAKERSFIELD, CA 93307 PHONE: (661) 363-6500 FAX: (661)363-7500 WWW.MAZZEI.NET	
						CHECKED: T. JOHNS		10/21/2014			
				THIRD ANGLE PROJECTION		APPROVED: J. BENNETT		10/21/2014		INJECTOR; SSF02081 ABBCO	
						QA: -					
		DRAWING MAY NOT BE PRINTED FULL SIZE DO NOT SCALE				CUSTOMER APPROVAL: -				DESCRIPTION:	
						CUSTOMER: N/A				SIZE: JOB NO.: DRAWING NUMBER: REV:	
								SCALE: NONE		WEIGHT: 6.54 LBS SHEET: 1 OF 2	



		MAZZEI INJECTOR CO., LLC 500 ROOSTER DRIVE BAKERSFIELD, CA 93307 PHONE: (661) 363-6500 FAX: (661)363-7500 WWW.MAZZEI.NET	
		DESCRIPTION: INJECTOR; SSF02081 ABBCO	
SIZE:	JOB NO.:	DRAWING NUMBER:	REV:
B	N/A	SSF02081 ABBCO-SUB	A
SCALE:	WEIGHT:	SHEET:	
1:2	6.54 LBS	2 OF 2	



Injector Performance Table
Water Suction Capacity

Operating Pressure PSIG		WATER SUCTION		Operating Pressure PSIG		WATER SUCTION	
Injector INLET	Injector OUTLET	Motive Flow GPM	Water Suction GPH	Injector INLET	Injector OUTLET	Motive Flow GPM	Water Suction GPH
5	0	32.4	629	60	0	112	630
	1		629		5		630
	2		629		10		630
	3		214		15		630
	4		*(4.5)		135		20
10	0	45.8	629		30		600
	2		629		35		508
	5		467		40		380
	7		149		45		*(50.0) 216
	8		*(9.0)		30.0		70
15	0	56.2	630	5	630		
	5		623	10	630		
	7		576	15	630		
	10		213	20	630		
	12		*(13.3)	76	30	630	
20	0	64.8	630	40	528		
	5		630	45	440		
	10		468	50	326		
	12		298	55	*(58.5) 142		
	15		*(17.5)	151	80	0	130
25	0	72.5	630	5		630	
	5		630	10		630	
	10		626	15		630	
	15		404	20		630	
	20		*(22.3)	134		30	
30	0	79.4	630	40		604	
	5		630	50		505	
	10		630	60		269	
	15		511	65		*(66.5) 60.7	
	20		341	90	0	138	630
25	*(26.0)	61.7	5		630		
35	0	85.8	630		10		630
	5		630		20		630
	10		630		30		630
	15		626		40		630
	20		459		50		601
25	*(30.5)	255	60		458		
40	0	91.7	630		70		179
	5		630		75		*(75.5)
	10		630	100	0	145	630
	15		630		5		630
	20		523		10		630
25	394	20	630				
30	*(33.5)	168	30		630		
45	0	97.3	630		40		630
	5		630		50		621
	10		630		60		593
	15		630		70		412
	20		606		80		*(83.0) 120
	25		507	120	0	159	630
	30		341		5		630
35	*(38.0)	148	10		630		
50	0	102	630		20		630
	5		630		30		630
	10		630		40		630
	15		630		50		630
	20		630		60		612
	25		587		70		595
	30		452		80		523
	35		299	90	309		
40	*(41.5)	115	100	*(100.9)			

Copyright© 2016 REV.09.2014

Mazzei Injector Company, LLC
 500 Rooster Drive, Bakersfield, CA 93307-9555 USA

TEL 661.363.6500 • FAX 661.363.7500 • www.mazzei.net

**NUMBERS IN PARENTHESIS indicate the injector outlet pressure when suction stops (Zero Suction Point).*

Model 2081



Injector Performance Table
Water Suction Capacity - METRIC

Operating Pressure kg/cm ²		WATER SUCTION		Operating Pressure kg/cm ²		WATER SUCTION		
Injector Inlet	Injector Outlet	Motive Flow l/min	Water Suction l/hr	Injector Inlet	Injector Outlet	Motive Flow l/min	Water Suction l/hr	
0.35	0.00	123	2,384	4.22	0.00	425	2,387	
	0.07		2,384		0.35		2,387	
	0.14		2,384		0.70		2,387	
	0.21		811		1.05		2,387	
	0.28		*(0.32)		514		1.41	2,387
0.70	0.00	174	2,384		2.11		2,272	
	0.14		2,384		2.46		1,925	
	0.35		1,769		2.81		1,441	
	0.49		565		3.16		*(3.52)	820
	0.56		*(0.63)		113		0.00	2,387
1.05	0.00	213	2,387	0.35	2,387			
	0.35		2,359	0.70	2,387			
	0.49		2,181	1.05	2,387			
	0.70		806	1.41	2,387			
	0.84		*(0.94)	289	2.11	2,387		
1.41	0.00	245	2,387	2.81	2,002			
	0.35		2,387	3.16	1,666			
	0.70		1,771	3.52	1,234			
	0.84		1,129	3.87	*(4.11)	538		
	1.05		*(1.23)	574	0.00	2,387		
1.76	0.00	274	2,387	0.35	2,387			
	0.35		2,387	0.70	2,387			
	0.70		2,371	1.05	2,387			
	1.05		1,529	1.41	2,387			
	1.41		*(1.57)	508	2.11	2,387		
2.11	0.00	301	2,387	2.81	2,287			
	0.35		2,387	3.52	1,914			
	0.70		2,387	4.22	1,020			
	1.05		1,935	4.57	*(4.68)	229		
	1.41		1,292	0.00	2,387			
	1.76		*(1.83)	233	0.35	2,387		
2.46	0.00	325	2,387	0.70	2,387			
	0.35		2,387	1.41	2,387			
	0.70		2,387	2.11	2,387			
	1.05		2,371	2.81	2,387			
	1.41		1,740	3.52	2,278			
	1.76		*(2.14)	968	4.22	1,735		
2.81	0.00	347	2387	4.92	678			
	0.35		2387	5.27	*(5.31)			
	0.70		2387	0.00	2,387			
	1.05		2387	0.35	2,387			
	1.41		1982	0.70	2,387			
	1.76		1492	1.41	2,387			
3.16	2.11	*(2.36)	639	2.11	2,387			
	0.00	368	2,387	2.81	2,387			
	0.35		2,387	3.52	2,352			
	0.70		2,387	4.22	2,247			
	1.05		2,387	4.92	1,561			
	1.41		2,295	5.62	*(5.84)	456		
	1.76		1,921	0.00	2,387			
2.11	1,292		0.35	2,387				
3.52	2.46	*(2.67)	563	0.70	2,387			
	0.00	388	2,387	1.41	2,387			
	0.35		2,387	2.11	2,387			
	0.70		2,387	2.81	2,387			
	1.05		2,387	3.52	2,387			
	1.41		2,387	4.22	2,316			
	1.76		2,224	4.92	2,252			
	2.11		1,714	5.62	1,980			
2.46	1,134		6.33	1,171				
2.81	*(2.92)	435	7.03	*(7.09)				

Copyright© 2016 REV.09.2014

Mazzei Injector Company, LLC
 500 Rooster Drive, Bakersfield, CA 93307-9555 USA

TEL 661.363.6500 • FAX 661.363.7500 • www.mazzei.net

**NUMBERS IN PARENTHESIS indicate the injector outlet pressure when suction stops (Zero Suction Point).*

Model 2081



Injector Performance Table
Air Suction Capacity

Operating Pressure PSIG		AIR SUCTION		Operating Pressure PSIG		AIR SUCTION	
Injector INLET	Injector OUTLET	Motive Flow GPM	Air Suction SCFM	Injector INLET	Injector OUTLET	Motive Flow GPM	Air Suction SCFM
5	0	31		60	0	106	15.10
	1		1.77		5		13.75
	2		0.67		10		8.78
	3				15		5.25
	4		*(4.1)		20		3.78
10	0	43	3.83	70	0	114	15.30
	2		2.05		5		14.70
	5		0.73		10		11.45
	7				15		6.50
	8		*(9.0)		20		4.97
15	0	54	7.23	80	0	122	15.20
	5		1.45		5		13.45
	7		0.95		10		8.57
	10				15		6.42
	12		*(13.3)		20		3.87
20	0	61	9.47	90	0	129	15.42
	5		2.35		5		13.13
	10		1.03		10		7.50
	12		0.75		15		5.00
	15		*(17.5)		20		3.13
25	0	68	11.00	100	0	137	15.50
	5		3.82		5		13.53
	10		1.57		10		8.88
	15		0.82		15		5.95
	20		*(22.3)		20		4.03
30	0	75	11.98	120	0	150	15.48
	5		5.48		5		13.67
	10		2.15		10		11.33
	15		1.30		15		8.03
	20		0.73		20		5.80
	25		*(26.0)		25		4.22
35	0	80	12.97	150	0	150	2.77
	5		7.48		5		1.83
	10		3.17		10		1.42
	15		1.75		15		1.17
	20		1.08		20		1.00
	25		*(30.5)		25		0.72
40	0	86	13.45	150	0	150	0.72
	5		9.37		5		1.48
	10		4.07		10		1.36
	15		2.28		15		1.17
	20		1.55		20		1.17
	25		1.03		25		0.77
45	0	92	13.97	150	0	150	0.72
	5		11.47		5		1.48
	10		4.77		10		1.36
	15		2.98		15		1.17
	20		1.87		20		1.17
	25		1.42		25		0.77
	30		0.90		30		0.77
50	0	96	14.45	150	0	150	0.72
	5		10.58		5		1.48
	10		5.72		10		1.36
	15		3.80		15		1.17
	20		2.43		20		1.17
	25		1.58		25		0.77
	30		1.18		30		0.77
	35		0.85		35		0.77
	40		*(41.5)		40		0.72

Copyright© 2016 REV 07.2016

Mazzei Injector Company, LLC
500 Rooster Drive, Bakersfield, CA 93307-9555 USA

TEL 661.363.6500 • FAX 661.363.7500 • www.mazzei.net

**NUMBERS IN PARENTHESIS indicate the injector outlet pressure when suction stops (Zero Suction Point).*

Model 2081



Injector Performance Table
Air Suction Capacity - METRIC

Operating Pressure kg/cm ²		AIR SUCTION		Operating Pressure kg/cm ²		AIR SUCTION		
Injector INLET	Injector OUTLET	Motive Flow l/min	Air Suction l/min	Injector INLET	Injector OUTLET	Motive Flow l/min	Air Suction l/min	
0.35	0.00	117		4.22	0.00	400	428	
	0.07		50.0		0.35		389	
	0.14		18.9		0.70		249	
	0.21				1.05		149	
	0.28		*(0.29)		1.41		107	
0.70	0.00	164	109		2.11		53.8	
	0.14		58.1		2.46		41.5	
	0.35		20.8		2.81		29.3	
	0.49				3.16		*(3.52)	
	0.56		*(0.63)					
1.05	0.00	205	205	4.92	0.00	432	433	
	0.35		41.1		0.35		416	
	0.49		26.9		0.70		324	
	0.70				1.05		184	
	0.84		*(0.94)		1.41		141	
1.41	0.00	233	268		2.11		80.2	
	0.35		66.6		2.81		43.9	
	0.70		29.3		3.16		34.0	
	0.84		21.2		3.52		26.0	
	1.05		*(1.23)		3.87		*(4.11)	
1.76	0.00	259	312	5.62	0.00	464	431	
	0.35		108		0.35		381	
	0.70		44.4		0.70		243	
	1.05		23.1		1.05		182	
	1.41		*(1.57)		1.41		110	
2.11	0.00	285	339		2.11		59.5	
	0.35		155		2.81		40.1	
	0.70		60.9		3.52		24.1	
	1.05		36.8		4.22		19.8	
	1.41		20.8		4.57		*(4.68)	
	1.76		*(1.83)					
2.46	0.00	304	367	6.33	0.00	490	437	
	0.35		212		0.35		372	
	0.70		89.7		0.70		212	
	1.05		49.6		1.41		142	
	1.41		30.7		2.11		88.7	
	1.76		*(2.14)		2.81		52.9	
2.81	0.00	328	381		3.52		36.3	
	0.35		265		4.22		22.7	
	0.70		115		4.92		18.9	
	1.05		64.7		5.27		*(5.33)	
	1.41		43.9	0.00	7.03	0.00	519	439
	1.76		29.3	0.35		383		
2.11	*(2.36)	0.70	252					
	18.9	1.41	169					
		2.11	114					
		2.81	68.0					
3.16	0.00	347	396	3.52		45.3		
	0.35		325	4.22		33.0		
	0.70		135	4.92		21.7		
	1.05		84.5	5.62		*(5.77)		
	1.41		52.9	0.00	8.44	0.00	568	439
	1.76		40.1	0.35		387		
	2.11		25.5	0.70		321		
2.46	*(2.67)	1.41	228					
		2.11	164					
		2.81	119					
		3.52	78.4					
3.52	0.00	365	409	4.22		51.9		
	0.35		300	4.92		40.1		
	0.70		162	5.62		28.3		
	1.05		108	6.33	20.3			
	1.41		68.9	7.03	*(7.06)			
	1.76		44.8					
	2.11		33.5					
	2.46		24.1					

Copyright© 2016 REV.07.2016

Mazzei Injector Company, LLC
 500 Rooster Drive, Bakersfield, CA 93307-9555 USA

TEL 661.363.6500 • FAX 661.363.7500 • www.mazzei.net

**NUMBERS IN PARENTHESIS indicate the injector outlet pressure when suction stops (Zero Suction Point).*

Model 2081