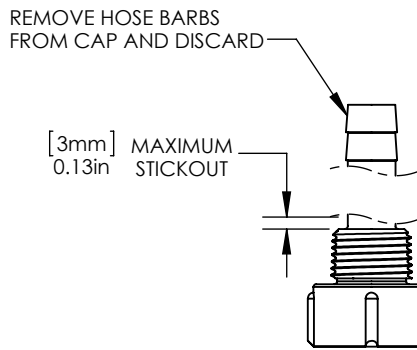
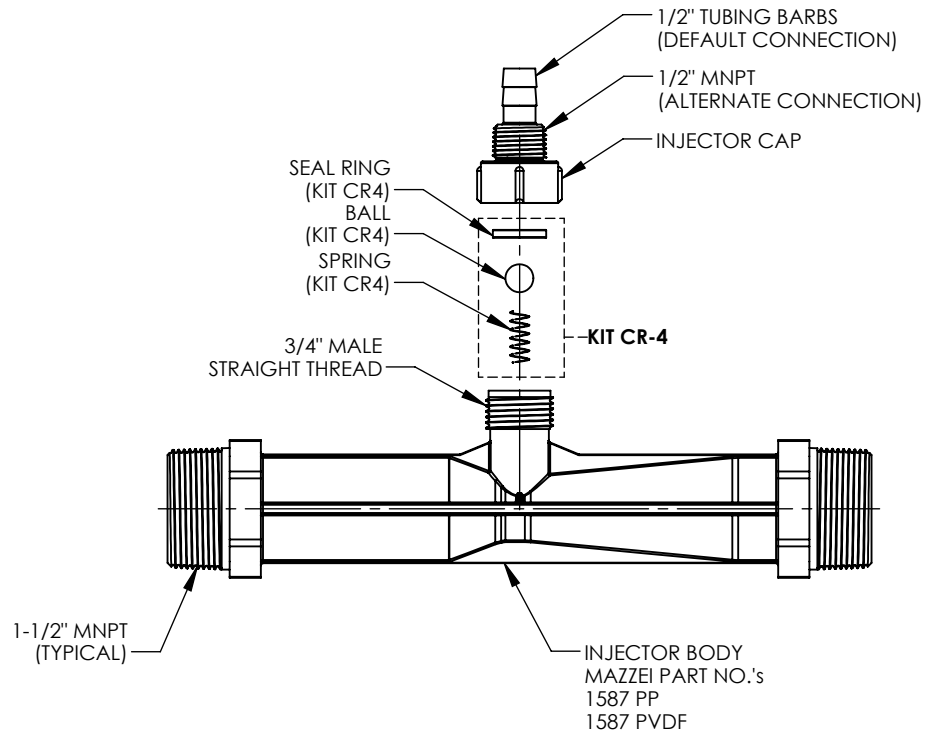


NOTES:

1. MADE IN THE U.S.A.
2. U.S. PATENT No. 5,863,128
3. U.S. No. 3,852,076 AND INTERNATIONAL REGISTERED TRADEMARKS
4. MATERIAL: GLASS FILLED POLYPROPYLENE (PP) OR POLYVINYLIDENE FLUORIDE (PVDF)
5. INLET/OUTLET CONNECTION:
1 1/2" MNPT
6. SUCTION PORT CONNECTION:

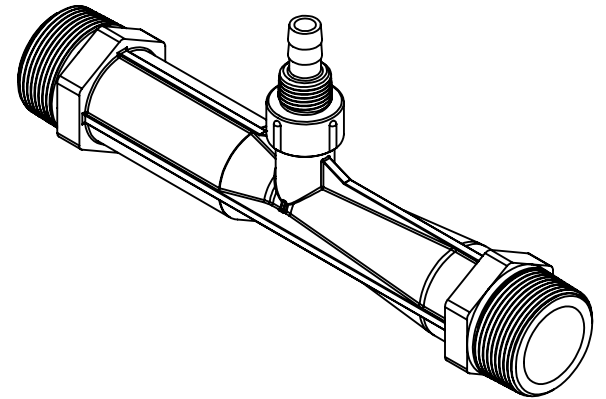
DEFAULT - 1/2" I.D. TUBING BARB WITH INTEGRATED CHECK VALVE

ALTERNATE - 1/2" MNPT - SEE ALTERNATE CAP MODIFICATION DETAIL
7. FOR INSTALLATION RECOMMENDATIONS REFER TO MAZZEI TECHNICAL BULLETINS No. 4, No. 5, No. 6, No. 10 AND No. 11, WHICH CAN BE FOUND AT WWW.MAZZEI.NET.
8. MAZZEI INJECTOR CO., LLC.
500 ROOSTER DR.
BAKERSFIELD, CA 93307
TEL: 661.363.6500
WEB: WWW.MAZZEI.NET

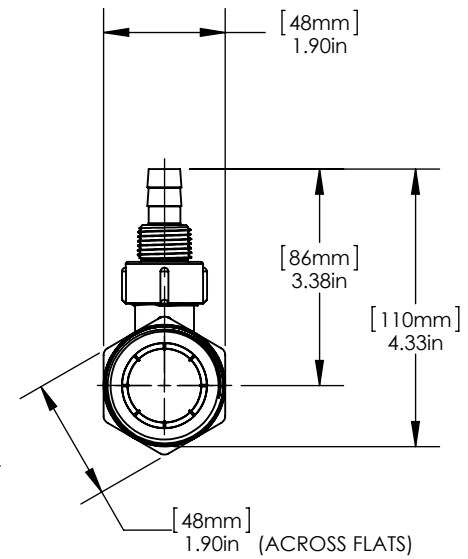
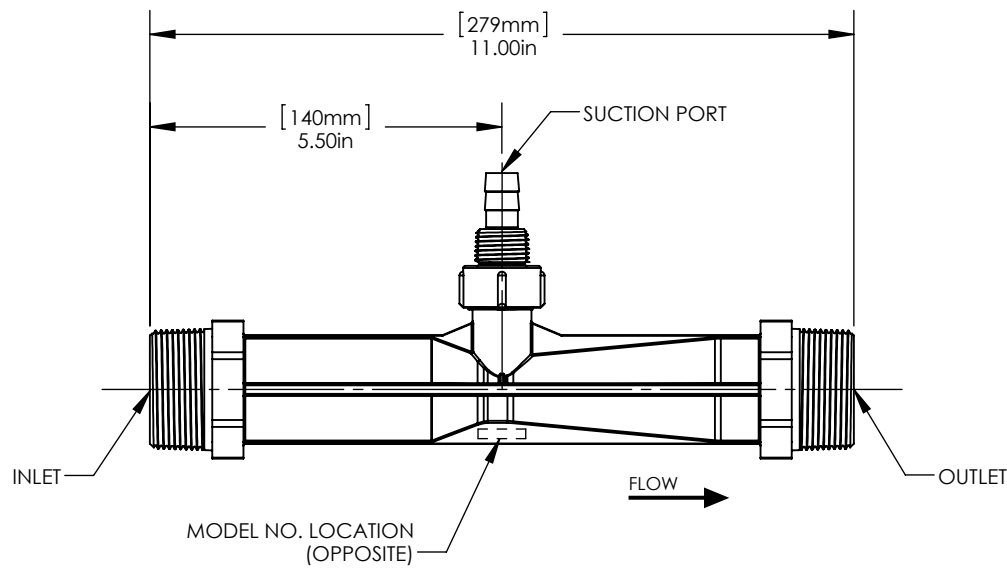


KIT CR-4	
TITLE	MATERIAL
BALL	TEFLON @ (PTFE)
SEAL RING	KEL-F @ (PCTFE)
SPRING	HASTELLOY C-22

UNLESS OTHERWISE SPECIFIED DIMENSIONS ARE IN INCHES			TITLE: 1-1/2" INJECTOR; MODEL 1587		
DRAWN:	G. NOVINS		DRAWING NO.: 1587		
DATE:	7/23/2014	SIZE:	WEIGHT:	SCALE:	REV.:
APPROVED:	T. JOHNS	A	N/A	1:3	B
				SHEET:	1 OF 2



(ISOMETRIC VIEW)
(FOR REFERENCE ONLY)



UNLESS OTHERWISE SPECIFIED DIMENSIONS ARE IN INCHES			TITLE: 1-1/2" INJECTOR; MODEL 1587		
DRAWN: G. NOVINS	DATE: 7/23/2014		DRAWING NO.: 1587		
APPROVED: T. JOHNS	SIZE: A	WEIGHT: N/A	SCALE: 1:3	REV.: B	SHEET: 2 OF 2



Injector Performance Table
Water Suction Capacity

Operating Pressure PSIG		WATER SUCTION		Operating Pressure PSIG		WATER SUCTION	
Injector INLET	Injector OUTLET	Motive Flow GPM	Water Suction GPH	Injector INLET	Injector OUTLET	Motive Flow GPM	Water Suction GPH
5	0	17.7	244	60	0	61.3	275
	1		102		5		275
	2		91.4		10		275
	3		54.2		15		275
	4		*(4.1)		20		275
10	0	25.0	269		30		271
	2		249		35		259
	5		103		40		212
	7		58.3		45		*(49.9)
	8		*(8.7)		14.4		117
15	0	30.6	270	70	0	66.2	277
	5		184		5		277
	7		154		10		277
	10		98.5		15		277
	12		*(13.5)		38.0		20
20	0	35.4	267		30		274
	5		265		40		263
	10		174		45		209
	12		142		50		151
	15		*(17.0)		87.9		55
25	0	39.6	265	80	0	70.8	275
	5		264		5		275
	10		229		10		275
	15		156		15		275
	20		*(22.1)		55.0		20
30	0	43.3	263		30		275
	5		261		40		273
	10		268		50		229
	15		200		60		92.5
	20		164		65		*(66.0)
35	0	46.8	33.3	90	0	75.1	274
	5		285		5		274
	10		284		10		274
	15		287		20		274
	20		251		30		274
40	0	50.0	191		40		274
	5		287		50		274
	10		284		60		272
	15		287		70		208
	20		251		75		*(74.0)
45	0	53.1	143	100	0	79.1	274
	5		287		5		274
	10		284		10		274
	15		287		20		274
	20		251		30		274
50	0	55.9	115		40		275
	5		259		50		275
	10		259		60		265
	15		258		70		179
	20		257		80		*(81.9)
55	0	58.3	73.5	120	0	86.7	269
	5		260		5		269
	10		259		10		269
	15		258		20		269
	20		257		30		269
60	0	61.3	252		40		269
	5		259		50		269
	10		259		60		270
	15		258		70		268
	20		257		80		226
65	0	64.0	137	90	106		
	5		260	130	93.0	269	
	10		259				
	15		258				
	20		257				
25	256						
30	255						
35	254						
40	253						
45	252						
50	251						
55	250						
60	249						
65	248						
70	247						
75	246						
80	245						
85	244						
90	243						
95	242						
100	241						
105	240						
110	239						
115	238						
120	237						
125	236						
130	235						
135	234						
140	233						
145	232						
150	231						
155	230						
160	229						
165	228						
170	227						
175	226						
180	225						
185	224						
190	223						
195	222						
200	221						
205	220						
210	219						
215	218						
220	217						
225	216						
230	215						
235	214						
240	213						
245	212						
250	211						
255	210						
260	209						
265	208						
270	207						
275	206						
280	205						
285	204						
290	203						
295	202						
300	201						
305	200						
310	199						
315	198						
320	197						
325	196						
330	195						
335	194						
340	193						
345	192						
350	191						
355	190						
360	189						
365	188						
370	187						
375	186						
380	185						
385	184						
390	183						
395	182						
400	181						
405	180						
410	179						
415	178						
420	177						
425	176						
430	175						
435	174						
440	173						
445	172						
450	171						
455	170						
460	169						
465	168						
470	167						
475	166						
480	165						
485	164						
490	163						
495	162						
500	161						
505	160						
510	159						
515	158						
520	157						
525	156						
530	155						
535	154						
540	153						
545	152						
550	151						
555	150						
560	149						
565	148						
570	147						
575	146						
580	145						
585	144						
590	143						
595	142						
600	141						
605	140						
610	139						
615	138						
620	137						
625	136						
630	135						
635	134						
640	133						
645	132						
650	131						
655	130						
660	129						
665	128						
670	127						
675	126						
680	125						
685	124						
690	123						
695	122						
700	121						
705	120						
710	119						
715	118						
720	117						
725	116						
730	115						
735	114						
740	113						
745	112						
750	111						
755	110						
760	109						
765	108						
770	107						
775	106						
780	105						
785	104						
790	103						
795	102						
800	101						
805	100						
810	99						
815	98						
820	97						
825	96						
830	95						
835	94						
840	93						
845	92						
850	91						
855	90						
860	89						
865	88						
870	87						
875	86						
880	85						
885	84						
890	83						
895	82						
900	81						
905	80						
910	79						
915	78						
920	77						
925	76						
930	75						
935	74						
940	73						
945	72						
950	71						
955	70						
960	69						
965	68						
970	67						
975	66						
980	65						
985	64						
990	63						
995	62						
1000	61						

Model 1587

Copyright© 2014 REV 2014

Mazzei Injector Company, LLC
 500 Rooster Drive, Bakersfield, CA 93307-9555 USA

TEL 661.363.6500 • FAX 661.363.7500 • www.mazzei.net

**NUMBERS IN PARENTHESIS indicate the injector outlet pressure when suction stops (Zero Suction Point).*



Injector Performance Table
Water Suction Capacity - METRIC

Operating Pressure kg/cm ²		WATER SUCTION		Operating Pressure kg/cm ²		WATER SUCTION		
Injector Inlet	Injector Outlet	Motive Flow l/min	Water Suction l/hr	Injector Inlet	Injector Outlet	Motive Flow l/min	Water Suction l/hr	
0.35	0.00	67.0	924	4.22	0.00	232	1,043	
	0.07		389		0.35		1,043	
	0.14		346		0.70		1,043	
	0.21		205		1.05		1,043	
	0.28		*(0.29)		1.41		1,043	
0.70	0.00	94.7	1,020		2.11		1,027	
	0.14		942		2.46		981	
	0.35		392		2.81		804	
	0.49		220		3.16		*(3.51)	445
	0.56		*(0.61)		54.5			
1.05	0.00	116	1,024	4.92	0.00	251	1,049	
	0.35		699		0.35		1,049	
	0.49		583		0.70		1,049	
	0.70		373		1.05		1,049	
	0.84		*(0.95)		1.41		1,049	
1.41	0.00	134	1,010		2.11		1,039	
	0.35		1,005		2.81		997	
	0.70		661		3.16		791	
	0.84		537		3.52		572	
	1.05		*(1.20)		3.87		*(4.01)	220
1.76	0.00	150	1,003	5.62	0.00	268	1,044	
	0.35		1,002		0.35		1,044	
	0.70		869		0.70		1,044	
	1.05		593		1.05		1,044	
	1.41		*(1.55)		1.41		1,044	
2.11	0.00	164	997		2.11		1,044	
	0.35		989		2.81		1,034	
	0.70		1,015		3.52		870	
	1.05		758		4.22		350	
	1.41		623		4.57		*(4.64)	194
	1.76		*(1.80)	126				
2.46	0.00	177	1,081	6.33	0.00	284	1,040	
	0.35		1,077		0.35		1,040	
	0.70		1,088		0.70		1,040	
	1.05		952		1.41		1,040	
	1.41		725		2.11		1,040	
	1.76		*(2.04)		2.81		1,029	
2.81	0.00	189	1,086		3.52		1,029	
	0.35		1,078		4.22		787	
	0.70		1,069		4.92		236	
	1.05		1,053		5.27		*(5.20)	
	1.41		925					
3.16	1.76	201	682	7.03	0.00	299	1,041	
	2.11		437		0.35		1,041	
	2.46		*(2.33)		0.70		1,041	
			983		1.41		1,041	
			981		2.11		1,041	
3.52	0.35	212	985		2.81		1,041	
	0.70		972		3.52		1,037	
	1.05		972		4.22		1,005	
	1.41		855		4.92		680	
	1.76		594		5.62		*(5.76)	236
	2.11		*(2.69)	278				
	2.46			986	8.44	0.00	328	1,020
2.81	*(2.88)	982	0.35	1,020				
		982	0.70	1,020				
		977	1.41	1,020				
		974	2.11	1,020				
		955	2.81	1,020				
		777	3.52	1,020				
		519	4.22	1,022				
		284	4.92	1,017				
			5.62	855				
			6.33	401				
			7.03	*(6.88)				

Copyright© 2014 REV 2014

Mazzei Injector Company, LLC
 500 Rooster Drive, Bakersfield, CA 93307-9555 USA

TEL 661.363.6500 • FAX 661.363.7500 • www.mazzei.net

**NUMBERS IN PARENTHESIS indicate the injector outlet pressure when suction stops (Zero Suction Point).*

Model 1587



Injector Performance Table
Air Suction Capacity

Operating Pressure PSIG		AIR SUCTION		Operating Pressure PSIG		AIR SUCTION	
Injector INLET	Injector OUTLET	Motive Flow GPM	Air Suction SCFH	Injector INLET	Injector OUTLET	Motive Flow GPM	Air Suction SCFH
5	0	17.0	65.9	60	0	58.7	306
	1		21.8		5		250
	2		15.6		10		161
	3		8.7		15		96.0
	4		*(4.1)		20		71.7
10	0	24.0	127		30		40.4
	2		61.1		35		31.9
	5		21.6		40		23.3
	7		9.7		45		*(49.9)
	8		*(8.7)				21.8
15	0	29.4	153				
	5		42.6				
	7		26.7				
	10		13.7				
	12		*(13.5)	9.0			
20	0	33.9	173				
	5		64.2				
	10		25.5				
	12		18.7				
	15		*(17.0)	12.0			
25	0	37.9	195				
	5		91.0				
	10		43.4				
	15		19.0				
	20		*(22.1)	9.8			
30	0	41.5	230				
	5		114				
	10		54.8				
	15		30.0				
	20		17.4				
35	0	44.9	230				
	5		143				
	10		70.8				
	15		41.6				
	20		27.0				
40	0	48.0	255				
	5		189				
	10		86.8				
	15		52.4				
	20		36.2				
45	0	50.9	267				
	5		207				
	10		91.1				
	15		58.8				
	20		39.9				
50	0	53.6	269				
	5		222				
	10		111				
	15		70.6				
	20		51.7				
60	25	58.7	37.3				
	30		22.7				
	35		19.6				
	40		14.4				
	45		*(41.0)				

Copyright© 2014 REV 2014

Mazzei Injector Company, LLC
 500 Rooster Drive, Bakersfield, CA 93307-9555 USA

TEL 661.363.6500 • FAX 661.363.7500 • www.mazzei.net

**NUMBERS IN PARENTHESIS indicate the injector outlet pressure when suction stops (Zero Suction Point).*

Model 1587



Injector Performance Table
Air Suction Capacity - METRIC

Operating Pressure kg/cm ²		AIR SUCTION		Operating Pressure kg/cm ²		AIR SUCTION	
Injector INLET	Injector OUTLET	Motive Flow l/min	Air Suction l/min	Injector INLET	Injector OUTLET	Motive Flow l/min	Air Suction l/min
0.35	0.00	64.2	31.1	4.22	0.00	222	144
	0.07		10.3		0.35		118
	0.14		7.4		0.70		76.4
	0.21		4.1		1.05		45.3
	0.28		*(0.29)		1.41		33.8
0.70	0.00	90.8	60.3		2.11		19.0
	0.14		28.8		2.46		15.0
	0.35		10.2		2.81		11.0
	0.49		4.6		3.16		*(3.51)
	0.56		*(0.61)				10.3
1.05	0.00	111	72.5				
	0.35		20.1				
	0.49		12.6				
	0.70		6.4				
	0.84		*(0.95)				
1.41	0.00	128	81.6				
	0.35		30.3				
	0.70		12.0				
	0.84		8.8				
	1.05		*(1.20)				
1.76	0.00	143	92.3				
	0.35		42.9				
	0.70		20.5				
	1.05		9.0				
	1.41		*(1.55)				
2.11	0.00	157	108				
	0.35		54.0				
	0.70		25.8				
	1.05		14.1				
	1.41		8.2				
	1.76		*(1.80)				
2.46	0.00	170	108				
	0.35		67.7				
	0.70		33.4				
	1.05		19.6				
	1.41		12.7				
	1.76		*(2.04)				
2.81	0.00	181	120				
	0.35		89.5				
	0.70		40.9				
	1.05		24.7				
	1.41		17.0				
	1.76		12.6				
3.16	2.11	193	8.1				
	2.46		*(2.33)				
	0.00		126				
	0.35		98.1				
	0.70		43.0				
	1.05		27.7				
	1.41		18.8				
	1.76		13.3				
3.52	2.11	203	8.9				
	2.46		*(2.88)				
	0.00		127				
	0.35		104				
	0.70		52.6				
	1.05		33.3				
	1.41		24.4				
	1.76		17.6				
2.11	10.7						
2.46	9.2						
2.81	*(2.88)						
2.81	6.8						

**NUMBERS IN PARENTHESIS indicate the injector outlet pressure when suction stops (Zero Suction Point).*

Model 1587