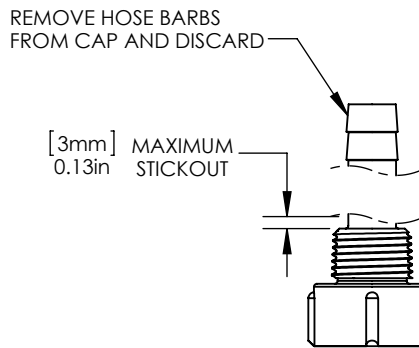
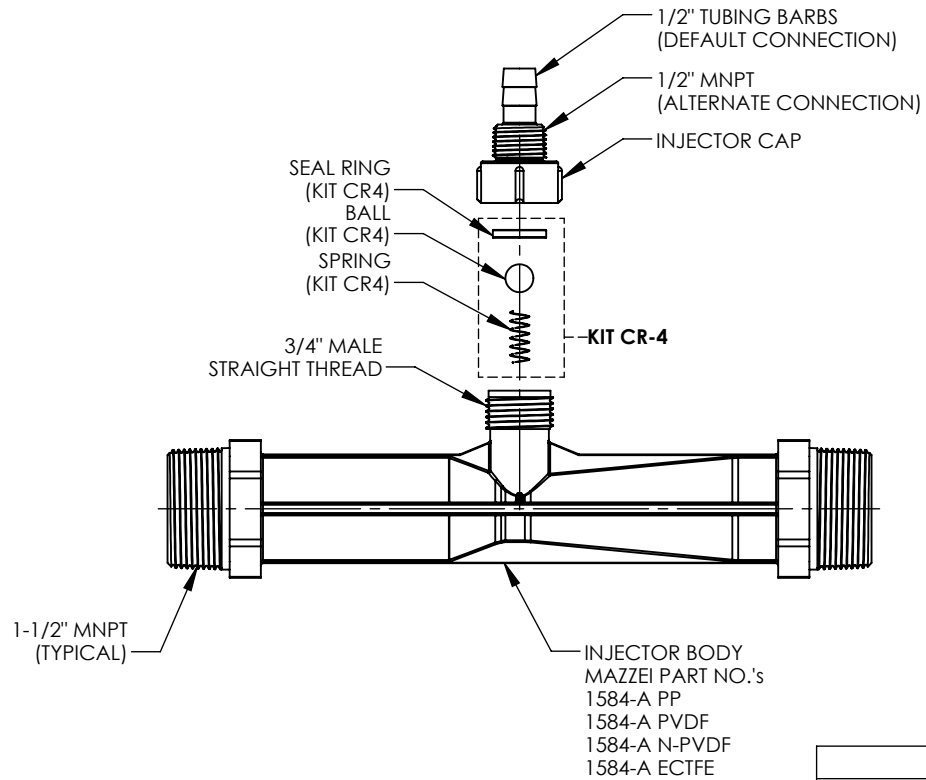


NOTES:

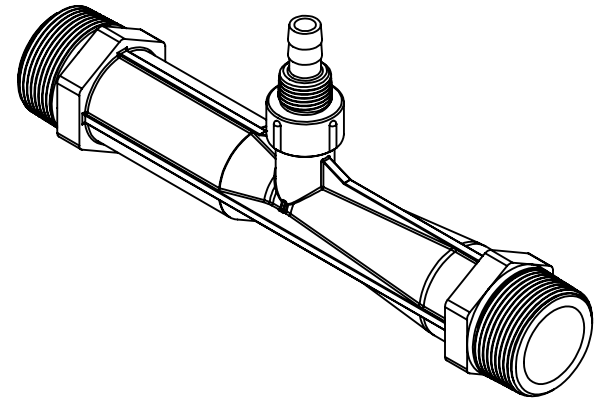
1. MADE IN THE U.S.A.
2. U.S. PATENT No. 5,863,128
3. U.S. No. 3,852,076 AND INTERNATIONAL REGISTERED TRADEMARKS
4. MATERIAL: GLASS FILLED POLYPROPYLENE (PP) OR POLYVINYLIDENE FLUORIDE (PVDF) OR NATURAL POLYVINYLIDENE FLUORIDE (N-PVDF) OR ETHYLENE CHLOROTRIFLUOROETHYLENE (ECTFE).
5. INLET/OUTLET CONNECTION:  
1 1/2" MNPT
6. SUCTION PORT CONNECTION:  
  
DEFAULT - 1/2" I.D. TUBING BARB WITH INTEGRATED CHECK VALVE  
  
ALTERNATE - 1/2" MNPT - SEE ALTERNATE CAP MODIFICATION DETAIL
7. FOR INSTALLATION RECOMMENDATIONS REFER TO MAZZEI TECHNICAL BULLETINS No. 4, No. 5, No. 6, No. 10 AND No. 11, WHICH CAN BE FOUND AT WWW.MAZZEI.NET.
8. MAZZEI INJECTOR CO., LLC.  
500 ROOSTER DR.  
BAKERSFIELD, CA 93307  
TEL: 661.363.6500  
WEB: WWW.MAZZEI.NET



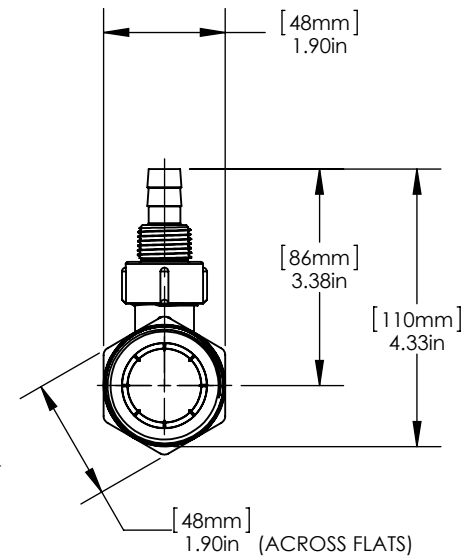
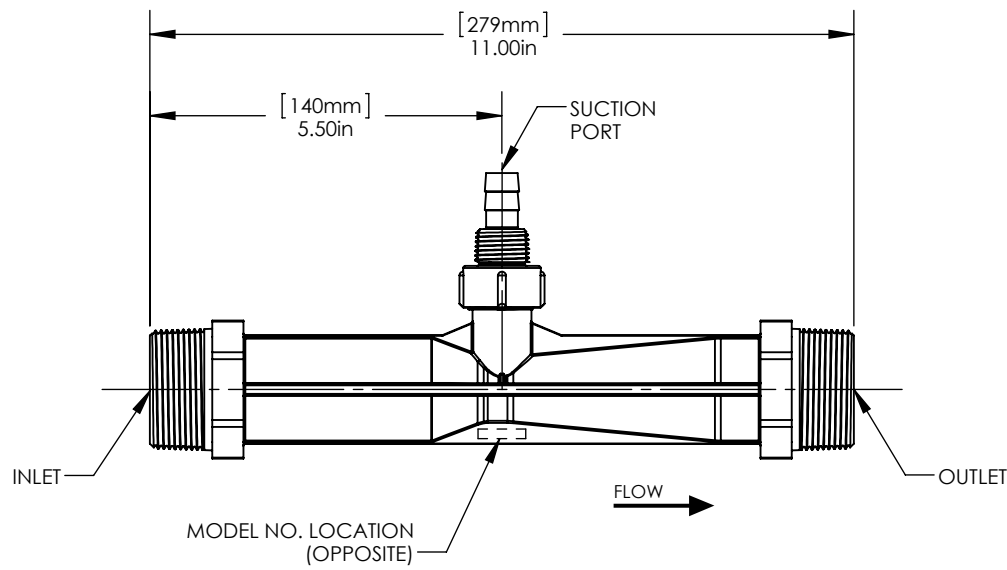
"CAP MODIFICATION DETAIL"  
(ALTERNATE)

KIT CR-4	
TITLE	MATERIAL
BALL	TEFLON @ (PTFE)
SEAL RING	KEL-F @ (PCTFE)
SPRING	HASTELLOY C-22

UNLESS OTHERWISE SPECIFIED DIMENSIONS ARE IN INCHES			TITLE: 1-1/2" INJECTOR; MODEL 1584-A		
DRAWN:	G. NOVINS		DRAWING NO.: 1584-A		
DATE:	7/23/2014	SIZE:	WEIGHT:	SCALE:	REV.:
APPROVED:	T. JOHNS	A	N/A	1:3	B
				SHEET:	1 OF 2



(ISOMETRIC VIEW)  
(FOR REFERENCE ONLY)

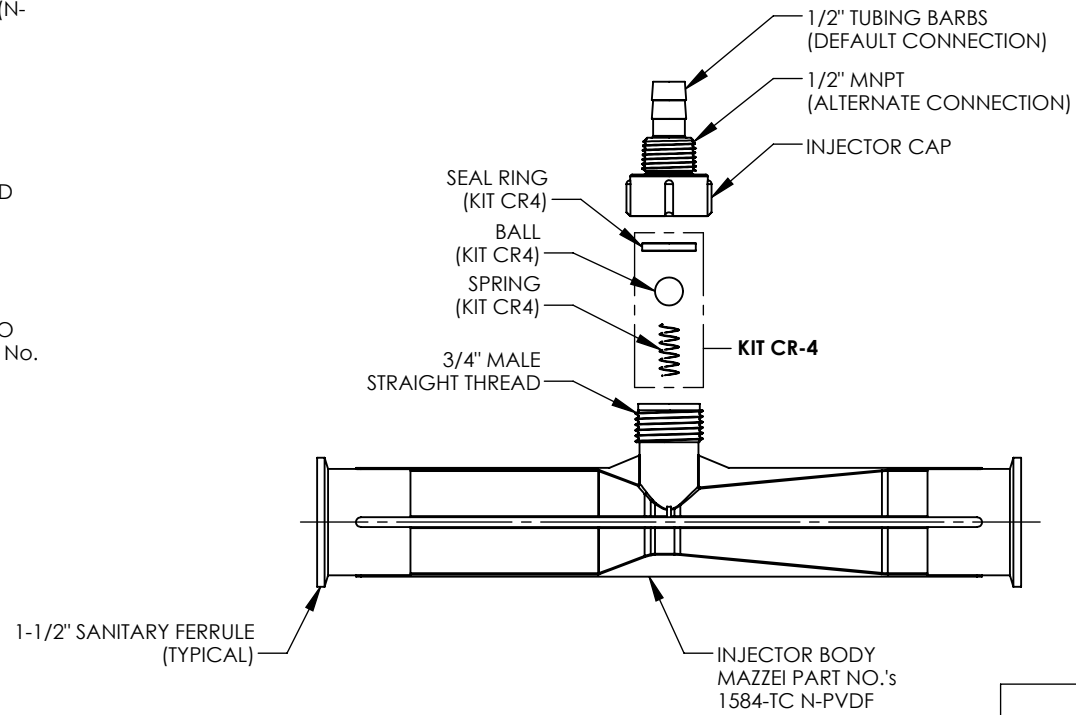


UNLESS OTHERWISE SPECIFIED DIMENSIONS ARE IN INCHES			TITLE: 1-1/2" INJECTOR; MODEL 1584-A		
DRAWN: G. NOVINS	DATE: 7/23/2014		DRAWING NO.: 1584-A		
APPROVED: T. JOHNS	SIZE: A	WEIGHT: N/A	SCALE: 1:3	REV.: B	SHEET: 2 OF 2

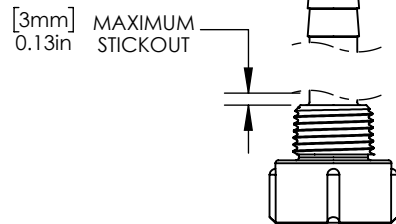
NOTES:

1. MADE IN THE U.S.A.
2. U.S. PATENT No. 5,863,128
3. U.S. No. 3,852,076 AND INTERNATIONAL REGISTERED TRADEMARKS
4. MATERIAL: NATURAL POLYVINYLIDENE FLOURIDE (N-PVDF)
5. INLET/OUTLET CONNECTION:  
1-1/2" SANITARY FERRULE
6. SUCTION PORT CONNECTION:  
  
DEFAULT - 1/2" I.D. TUBING BARB WITH INTEGRATED CHECK VALVE  
  
ALTERNATE - 1/2" MNPT - SEE ALTERNATE CAP MODIFICATION DETAIL
7. FOR INSTALLATION RECOMMENDATIONS REFER TO MAZZEI TECHNICAL BULLETINS No. 4, No. 5, No. 6, No. 10 AND No. 11, WHICH CAN BE FOUND AT WWW.MAZZEI.NET.
8. MAZZEI INJECTOR CO., LLC.  
500 ROOSTER DR.  
BAKERSFIELD, CA 93307  
TEL: 661.363.6500  
WEB: WWW.MAZZEI.NET

REVISIONS			
REV.	DESCRIPTION	DATE	APPROVED
C	UPDATED MATERIAL	10/3/2017	J. BENNETT




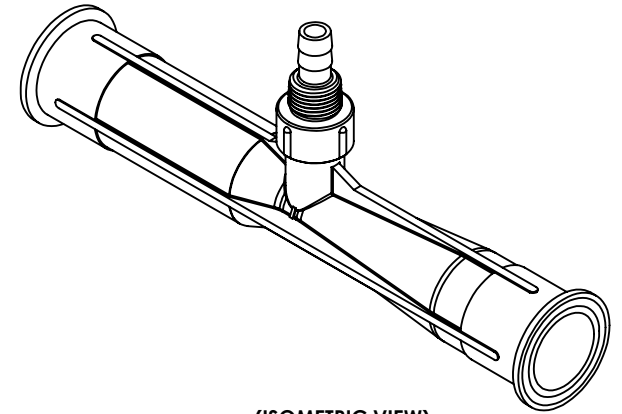
REMOVE HOSE BARBS FROM CAP AND DISCARD



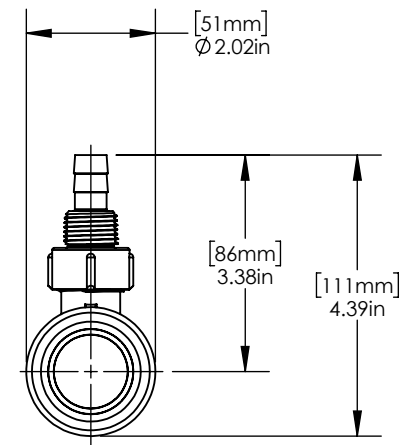
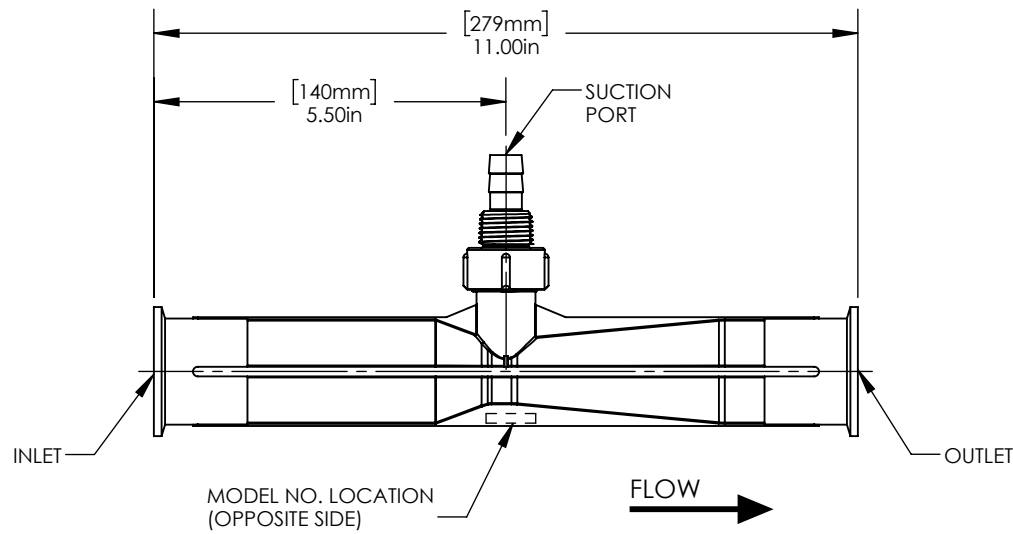
"CAP MODIFICATION DETAIL" (ALTERNATE)


KIT CR-4	
TITLE	MATERIAL
BALL	TEFLON @ (PTFE)
SEAL RING	KEL-F @ (PCTFE)
SPRING	HASTELLOY C-22

UNLESS OTHERWISE SPECIFIED DIMENSIONS ARE IN INCHES			TITLE: 1-1/2" INJECTOR; MODEL 1584-TC			
DRAWN:	G. NOVINS		DRAWING NO.: 1584-TC			
DATE:	7/23/2014	SIZE:	WEIGHT:	SCALE:	REV.:	SHEET:
APPROVED:	T. JOHNS	A	N/A	1:3	C	1 OF 2



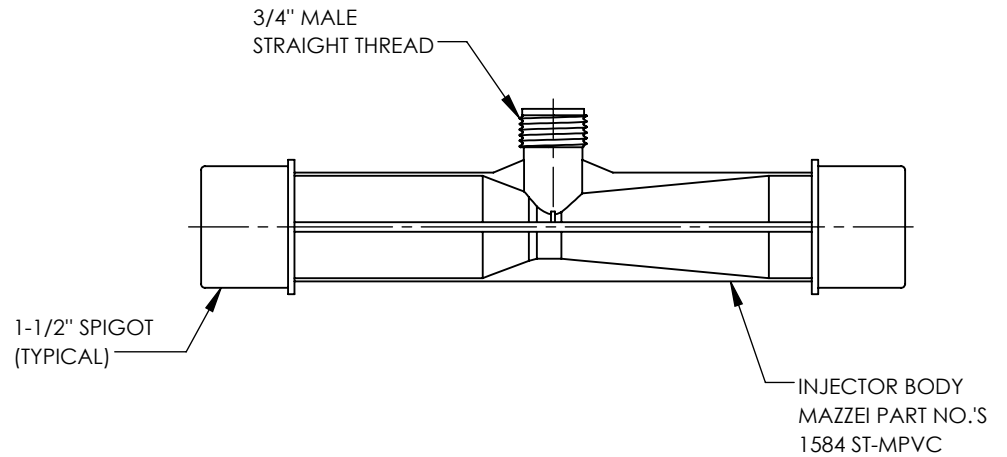
(ISOMETRIC VIEW)  
(FOR REFERENCE ONLY)



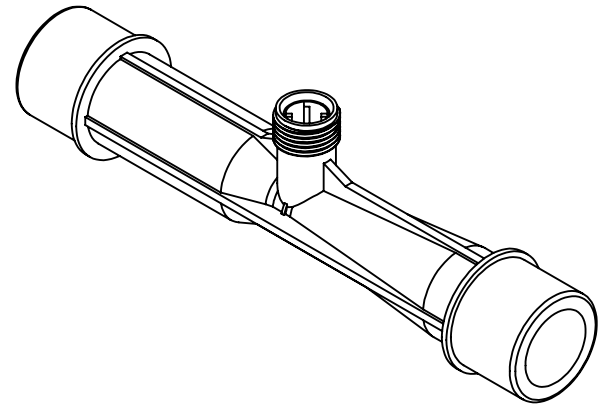
UNLESS OTHERWISE SPECIFIED DIMENSIONS ARE IN INCHES			TITLE: 1-1/2" INJECTOR; MODEL 1584-TC		
DRAWN: G. NOVINS	DATE: 7/23/2014		DRAWING NO.: 1584-TC		
APPROVED: T. JOHNS	SIZE: A	WEIGHT: N/A	SCALE: 1:3	REV.: C	SHEET: 2 OF 2

NOTES:

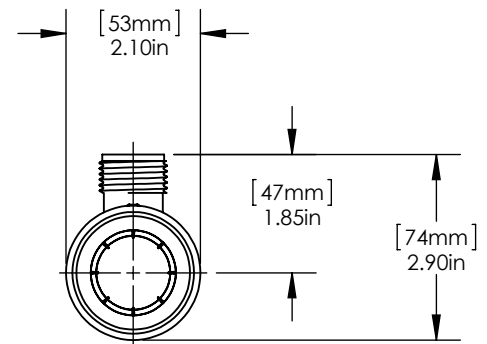
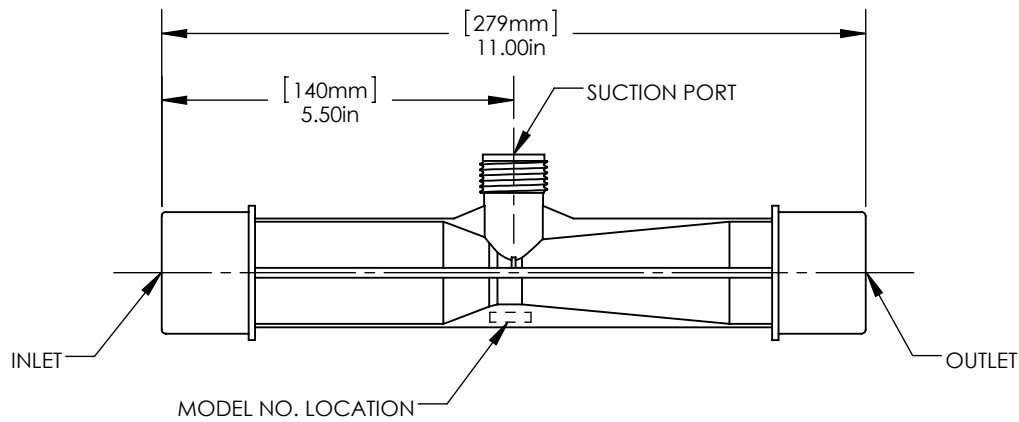
1. MADE IN THE U.S.A.
2. U.S. PATENT No. 5,863,128
3. U.S. No. 3,852,076 AND INTERNATIONAL REGISTERED TRADEMARKS
4. MATERIAL: MPVC
5. INLET/OUTLET CONNECTION:  
1-1/2" SPIGOT
6. SUCTION PORT CONNECTION:  
DEFAULT - 3/4" STRAIGHT THREAD
7. FOR INSTALLATION RECOMMENDATIONS REFER TO MAZZEI TECHNICAL BULLETINS No. 4, No. 5, No. 6, No. 10 AND No. 11, WHICH CAN BE FOUND AT WWW.MAZZEI.NET.
8. MAZZEI INJECTOR CO., LLC.  
500 ROOSTER DR.  
BAKERSFIELD, CA 93307  
TEL: 661.363.6500  
WEB: WWW.MAZZEI.NET



UNLESS OTHERWISE SPECIFIED DIMENSIONS ARE IN INCHES			TITLE: 1-1/2" INJECTOR; MODEL 1584-ST		
DRAWN: T. JOHNS	DATE: 1/10/2013		DRAWING NO.: 1584-ST		
APPROVED: T. JOHNS	SIZE: <b>A</b>	WEIGHT: N/A	SCALE: 1:3	REV.: A	SHEET: 1 OF 2



(ISOMETRIC VIEW)  
(FOR REFERENCE ONLY)

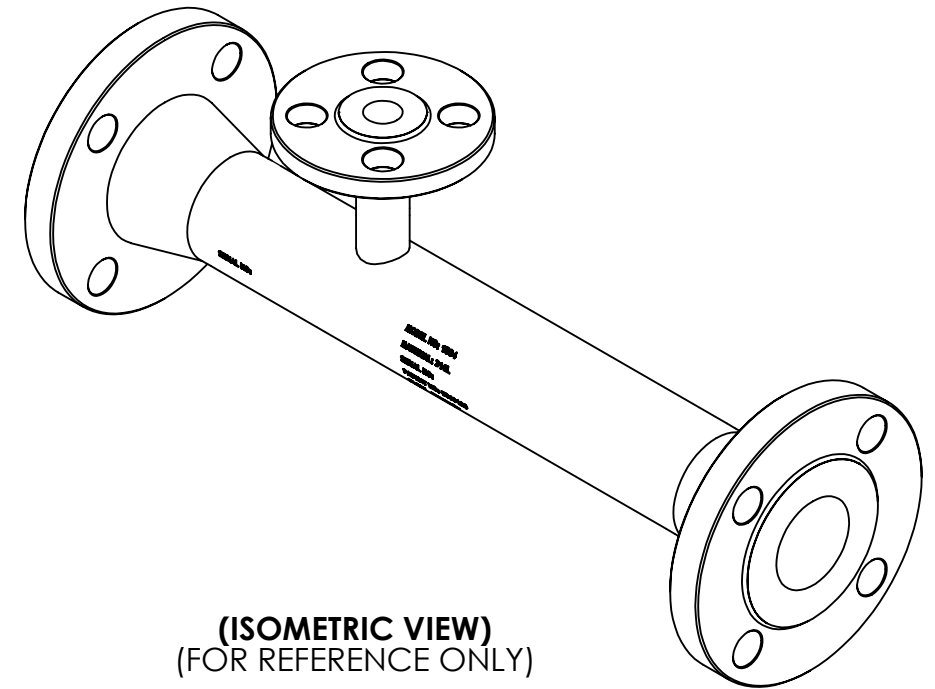


UNLESS OTHERWISE SPECIFIED DIMENSIONS ARE IN INCHES			TITLE: 1-1/2" INJECTOR; MODEL 1584-ST		
DRAWN: T. JOHNS	DATE: 1/10/2013		DRAWING NO.: 1584-ST		
APPROVED: T. JOHNS	SIZE: <b>A</b>	WEIGHT: N/A	SCALE: 1:3	REV.: A	SHEET: 2 OF 2


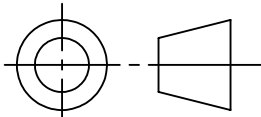
NOTES:

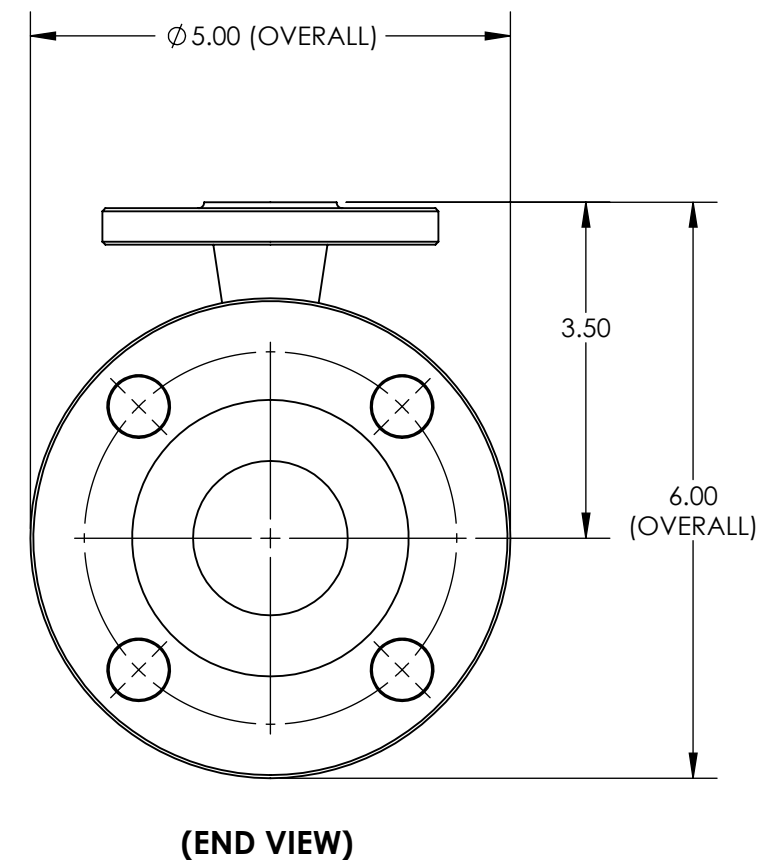
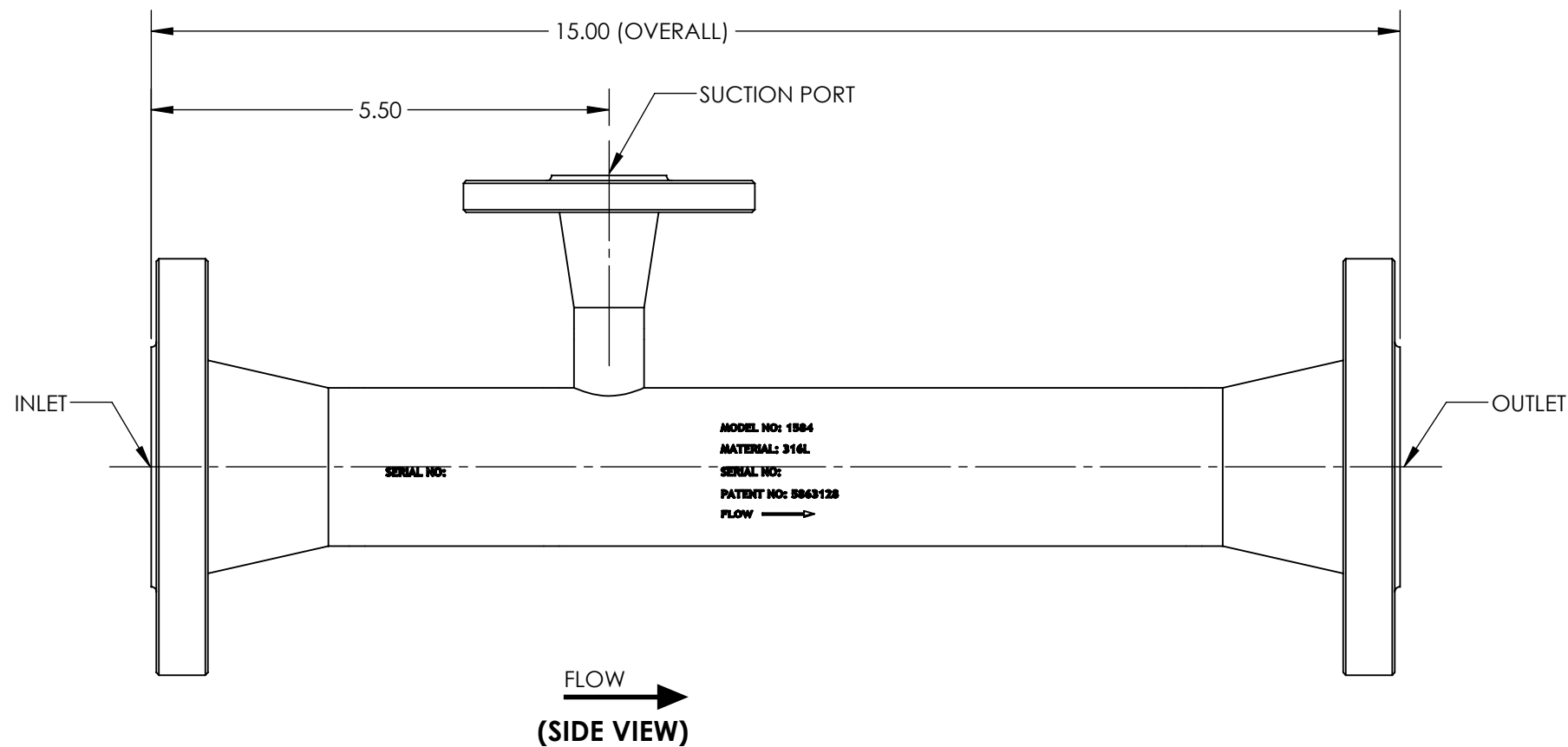
1. MATERIAL OF CONSTRUCTION: TYPE 316L, STAINLESS STEEL
2. MTR/HEAT NUMBERS ARE PROVIDED AND SHALL MEET APPLICABLE MATERIAL SPECIFICATIONS.
3. FLANGE BOLTS HOLES TO STRADDLE COMMON CENTERLINES, UNLESS OTHERWISE NOTED.
4. INLET/OUTLET CONNECTION:  
1.50" NOMINAL DIA., ANSI B16.5, CLASS 150, SCHED. 40, RAISED FACE - WELD NECK FLANGE
5. SUCTION PORT CONNECTION:  
.50" NOMINAL DIA., ANSI B16.5, CLASS 150, SCHED. 40, RAISED FACE - WELD NECK FLANGE
6. WELDING JOINTS TO BE COMPLETE JOINT PENETRATION, WHERE POSSIBLE.
7. HYDROTESTING MAY BE PERFORMED IN ACCORDANCE WITH MAZZEI SOP NO. 6090.
8. DYE PENETRANT TESTING MAY BE PERFORMED IN ACCORDANCE WITH MAZZEI SOP NO. 6095.
9. CLEANED FOR PASSIVATION PER ASTM A380 GUIDELINES.
10. PASSIVATED PER ASTM A967 SPECIFICATION.
11. FINISH:  
INTERNALS: MACHINED FINISH  
EXTERNALS: MACHINED FINISH
12. WELD MAP, NON DESTRUCTIVE TESTING (NDT), CLEANING AND INSPECTION REPORTS TO BE PROVIDED BY MAZZEI.


REVISIONS			
REV.	DESCRIPTION	DATE	APPROVED
NC	RELEASED FOR SUBMITTAL.	5/14/2013	P. BANKOWSKI
A	REVISED INJECTOR DIMENSIONS. ADDED ENGRAVING.	1/2/2014	J. BENNETT
B	UPDATED NOTES & SHEET FORMAT.	4/8/2015	J. BENNETT



**SUBMITTAL DRAWING**

SUBMITTAL NOTICE		CONFIDENTIALITY NOTICE		APPROVALS		DATE		MAZZEI INJECTOR CO., LLC			
ANY RECOMMENDATIONS FOR PRODUCT AND/OR SYSTEM DESIGN, WHETHER CONTAINED IN A DOCUMENT, WITHIN THIS DRAWING, COMMUNICATED BY ELECTRONIC MEANS OR GIVEN VERBALLY, ARE INTENDED SOLELY AS GUIDELINES TO ACTUAL SYSTEM DESIGN. SAID RECOMMENDATIONS ARE BASED UPON INFORMATION SUPPLIED BY OTHERS, THE ACCURACY OF WHICH IS BEYOND VERIFICATION BY MAZZEI INJECTOR CO. LLC. THEREFORE MAZZEI CANNOT AND DOES NOT WARRANT THE SUITABILITY OF ITS PRODUCTS FOR A PARTICULAR SERVICE NOR THE PERFORMANCE OF ANY SYSTEM CONTAINING COMPONENTS MADE OR SOLD BY MAZZEI.		THE INFORMATION CONTAINED IN THIS DRAWING IS THE SOLE PROPERTY OF MAZZEI INJECTOR COMPANY LLC. ANY REPRODUCTION IN PART OR AS A WHOLE WITHOUT THE WRITTEN PERMISSION OF MAZZEI IS STRICTLY PROHIBITED.		UNLESS OTHERWISE SPECIFIED		DRAWN:		 MAZZEI INJECTOR CO., LLC 500 ROOSTER DRIVE BAKERSFIELD, CA 93307 PHONE: (661) 363-6500 FAX: (661)363-7500 WWW.MAZZEI.NET			
				DIM ARE IN INCHES		T. JOHNS				1/2/2014	
				TOL ON ANGLE ± .50°		J. BENNETT		3/4/2014			
				2 PL ± .06 3 PL ± .030		J. BENNETT		3/4/2014			
DRAWING MAY NOT BE PRINTED FULL SIZE DO NOT SCALE		INTERPRET DIM AND TOL PER ASME Y14.5M-1994		THIRD ANGLE PROJECTION		APPROVED:		INJECTOR; SSF01584AAA00			
						QA:				-	
						CUSTOMER APPROVAL:				-	
				CUSTOMER:		N/A		SIZE: B JOB NO.: N/A DRAWING NUMBER: SSF01584AAA00-SUB REV: B SCALE: NONE WEIGHT: 13.52 LBS SHEET: 1 OF 2			



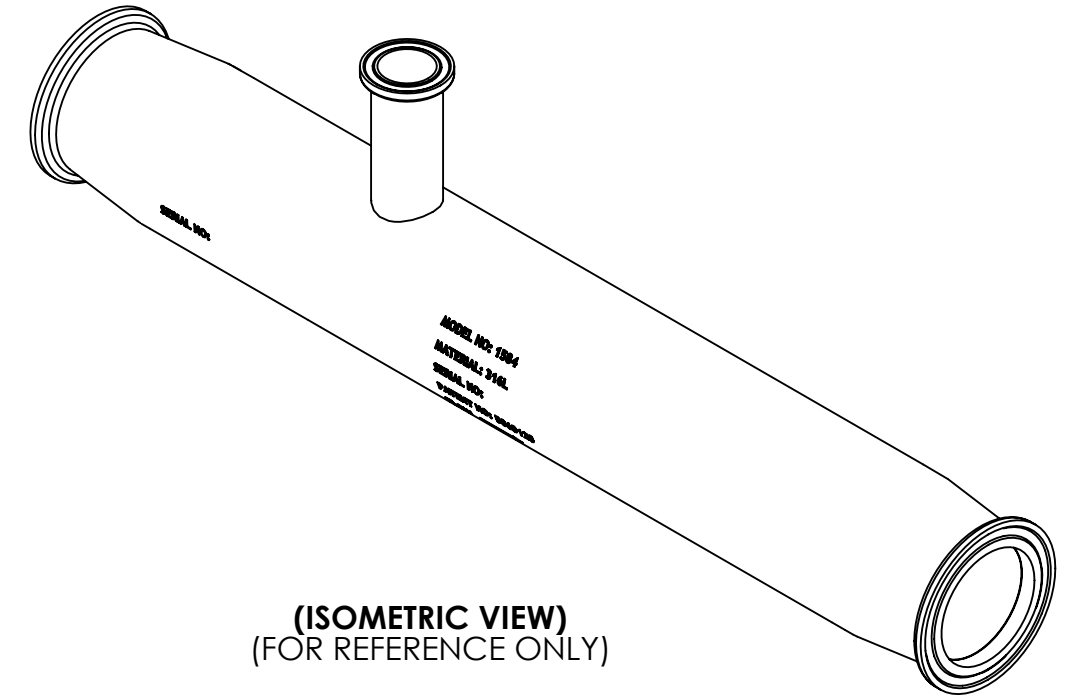
		<b>MAZZEI INJECTOR CO., LLC</b> 500 ROOSTER DRIVE BAKERSFIELD, CA 93307 PHONE: (661) 363-6500 FAX: (661)363-7500 WWW.MAZZEI.NET	
		DESCRIPTION: INJECTOR; SSF01584AAA00	
SIZE:	JOB NO.:	DRAWING NUMBER:	REV:
<b>B</b>	N/A	SSF01584AAA00-SUB	<b>B</b>
SCALE:	WEIGHT:	SHEET:	
1:2	13.52 LBS	2 OF 2	




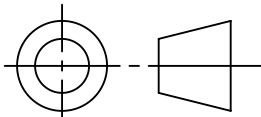
NOTES:

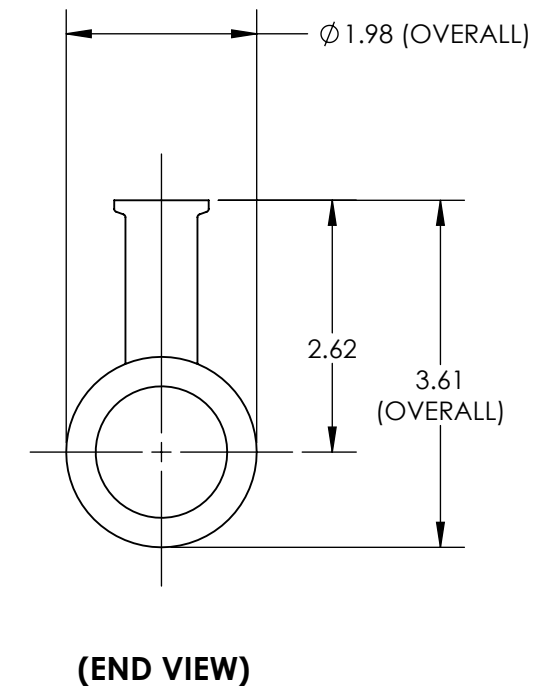
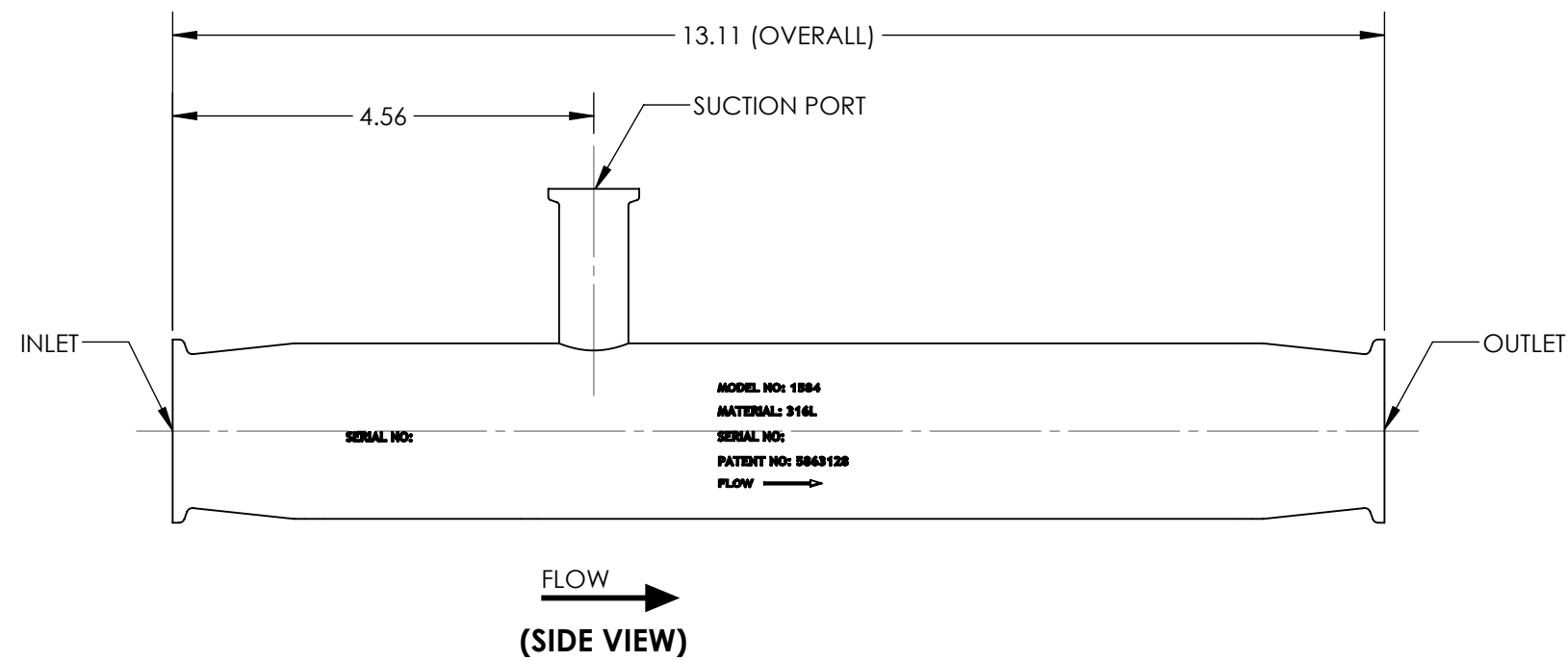
1. MATERIAL OF CONSTRUCTION: TYPE 316L, STAINLESS STEEL
2. MTR/HEAT NUMBERS ARE PROVIDED AND SHALL MEET APPLICABLE MATERIAL SPECIFICATIONS.
3. INLET/OUTLET CONNECTION:  
1.50" NOMINAL DIA., ASME BPE-2008, SANITARY TRI-CLAMP FITTING
4. SUCTION PORT CONNECTION:  
.75" DIA., ASME BPE-2008, SANITARY TRI-CLAMP FITTING
5. WELDING JOINTS TO BE COMPLETE JOINT PENETRATION, WHERE POSSIBLE.
6. HYDROTESTING MAY BE PERFORMED IN ACCORDANCE WITH MAZZEI SOP NO. 6090.
7. DYE PENETRANT TESTING MAY BE PERFORMED IN ACCORDANCE WITH MAZZEI SOP NO. 6095.
8. CLEANED FOR PASSIVATION PER ASTM A380 GUIDELINES.
9. PASSIVATED PER ASTM A967 SPECIFICATION.
10. FINISH:  
INTERNALS: MACHINED FINISH  
EXTERNALS: MACHINED FINISH
11. WELD MAP, NON DESTRUCTIVE TESTING (NDT), CLEANING AND INSPECTION REPORTS TO BE PROVIDED BY MAZZEI.


REVISIONS			
REV.	DESCRIPTION	DATE	APPROVED
NC	RELEASED FOR SUBMITTAL.	4/8/2014	J. BENNETT
A	UPDATED NOTES & SHEET FORMAT.	4/8/2015	J. BENNETT



**SUBMITTAL DRAWING**

SUBMITTAL NOTICE	CONFIDENTIALITY NOTICE	UNLESS OTHERWISE SPECIFIED DIM ARE IN INCHES TOL ON ANGLE ± .50° 2 PL ± .06 3 PL ± .030 INTERPRET DIM AND TOL PER ASME Y14.5M-1994	APPROVALS	DATE	 <b>MAZZEI INJECTOR CO., LLC</b> 500 ROOSTER DRIVE BAKERSFIELD, CA 93307 PHONE: (661) 363-6500 FAX: (661)363-7500 WWW.MAZZEI.NET			
ANY RECOMMENDATIONS FOR PRODUCT AND/OR SYSTEM DESIGN, WHETHER CONTAINED IN A DOCUMENT, WITHIN THIS DRAWING, COMMUNICATED BY ELECTRONIC MEANS OR GIVEN VERBALLY, ARE INTENDED SOLELY AS GUIDELINES TO ACTUAL SYSTEM DESIGN. SAID RECOMMENDATIONS ARE BASED UPON INFORMATION SUPPLIED BY OTHERS, THE ACCURACY OF WHICH IS BEYOND VERIFICATION BY MAZZEI INJECTOR CO. LLC. THEREFORE MAZZEI CANNOT AND DOES NOT WARRANT THE SUITABILITY OF ITS PRODUCTS FOR A PARTICULAR SERVICE NOR THE PERFORMANCE OF ANY SYSTEM CONTAINING COMPONENTS MADE OR SOLD BY MAZZEI.	THE INFORMATION CONTAINED IN THIS DRAWING IS THE SOLE PROPERTY OF MAZZEI INJECTOR COMPANY LLC. ANY REPRODUCTION IN PART OR AS A WHOLE WITHOUT THE WRITTEN PERMISSION OF MAZZEI IS STRICTLY PROHIBITED.	<b>THIRD ANGLE PROJECTION</b> 	DRAWN: T. JOHNS	4/7/2014	DESCRIPTION: INJECTOR; SSF01584ABB00			
			CHECKED: K. COBAR	4/8/2014				
			APPROVED: J. BENNETT	4/8/2014	SIZE: <b>B</b>	JOB NO.: N/A	DRAWING NUMBER: SSF01584ABB00-SUB	REV: A
			CUSTOMER: N/A		SCALE: NONE	WEIGHT: 5.41 LBS	SHEET: 1 OF 2	



		<b>MAZZEI INJECTOR CO., LLC</b> 500 ROOSTER DRIVE BAKERSFIELD, CA 93307 PHONE: (661) 363-6500 FAX: (661)363-7500 WWW.MAZZEI.NET	
DESCRIPTION: INJECTOR; SSF01584ABB00			
SIZE:	JOB NO.:	DRAWING NUMBER:	REV:
<b>B</b>	N/A	SSF01584ABB00-SUB	<b>A</b>
SCALE:	WEIGHT:	SHEET:	
1:2	5.41 LBS	2 OF 2	



**Injector Performance Table**  
**Air Suction Capacity**

Operating Pressure PSIG		AIR SUCTION		Operating Pressure PSIG		AIR SUCTION		
Injector INLET	Injector OUTLET	Motive Flow GPM	Air Suction SCFH	Injector INLET	Injector OUTLET	Motive Flow GPM	Air Suction SCFH	
<b>5</b>	0	<b>18.0</b>	47.0	<b>60</b>	0	<b>62.5</b>	238	
	1		40.0		5		219	
	2		31.8		10		190	
	3		20.5		15		157	
	4		*(4.1)		10.6		20	120
<b>10</b>	0	<b>25.5</b>	98.0		30		68.3	
	2		72.4		35		53.0	
	5		37.1		40		37.1	
	7		20.5		45		*(51.5)	25.8
	8		*(8.5)		12.6		<b>70</b>	0
<b>15</b>	0	<b>31.2</b>	144	5	232			
	5		71.7	10	207			
	7		45.7	15	179			
	10		*(13.0)	23.8	20	150		
	12		9.3	30	91.9			
<b>20</b>	0	<b>36.1</b>	170	40	56.3			
	5		102	45	43.0			
	10		41.0	50	33.1			
	12		31.1	55	*(60.0)	21.2		
	15		*(17.0)	12.6	<b>80</b>	0	<b>72.2</b>	248
<b>25</b>	0	<b>40.3</b>	185	5		239		
	5		128	10		222		
	10		65.7	15		199		
	15		*(21.5)	33.1		20		174
	20		12.0	30		117		
<b>30</b>	0	<b>44.2</b>	194	40		79.7		
	5		152	50		49.0		
	10		99.4	60		27.8		
	15		54.3	65		*(68.0)		17.9
	20		28.5	<b>90</b>	0	<b>76.5</b>	250	
25	*(26.0)	10.0	5		246			
<b>35</b>	0	<b>47.7</b>	206		10		234	
	5		173		20		193	
	10		123		30		142	
	15		72.4		40		98.0	
	20		39.7		50		68.3	
25	*(30.5)	22.5	60		46.3			
<b>40</b>	0	<b>51.0</b>	212		70		26.5	
	5		188		75		*(77.0)	17.9
	10		147	<b>100</b>	0	<b>80.7</b>	252	
	15		98.7		5		252	
	20		59.7		10		245	
25	38.4	20	208					
30	*(35.0)	21.8	30		168			
<b>45</b>	0	<b>54.1</b>	222		40		122	
	5		197		50		89.2	
	10		157		60		61.7	
	15		111		70		42.4	
	20		73.7		80		*(86.0)	25.2
	25		49.7	<b>120</b>	0	<b>88.4</b>	260	
	30		32.4		5		257	
35	*(39.5)	21.2	10		255			
<b>50</b>	0	<b>57.0</b>	226		20		237	
	5		207		30		208	
	10		175		40		169	
	15		133		50		130	
	20		96.6		60		98.7	
	25		68.3		70		75.7	
	30		47.0		80		55.0	
35	31.8	90	37.1					
40	*(42.5)	18.5	100	*(103)	21.8			

Copyright© 2014 REV 2014

Mazzei Injector Company, LLC  
 500 Rooster Drive, Bakersfield, CA 93307-9555 USA

TEL 661.363.6500 • FAX 661.363.7500 • www.mazzei.net

*\*NUMBERS IN PARENTHESIS indicate the injector outlet pressure when suction stops (Zero Suction Point).*

**Model 1584**



**Injector Performance Table**  
**Air Suction Capacity - METRIC**

Operating Pressure kg/cm <sup>2</sup>		AIR SUCTION		Operating Pressure kg/cm <sup>2</sup>		AIR SUCTION	
Injector INLET	Injector OUTLET	Motive Flow l/min	Air Suction l/min	Injector INLET	Injector OUTLET	Motive Flow l/min	Air Suction l/min
0.35	0.00	68.3	22.1	4.22	0.00	236	112
	0.07		18.8		0.35		103
	0.14		15.0		0.70		90.1
	0.21		9.7		1.05		74.4
	0.28		5.0		1.41		56.9
0.70	0.00	96.6	46.2		2.11		32.2
	0.14		34.1		2.46		25.0
	0.35		17.5		2.81		17.5
	0.49		9.7		3.16		12.2
	0.56		5.9		*(3.62)		
1.05	0.00	118	67.9	4.92	0.00	255	115
	0.35		33.8		0.35		109
	0.49		21.5		0.70		98.1
	0.70		11.2		1.05		84.5
	0.84		4.4		1.41		71.1
1.41	0.00	137	80.2		2.11		43.4
	0.35		48.2		2.81		26.6
	0.70		19.3		3.16		20.3
	0.84		14.7		3.52		15.6
	1.05		5.9		3.87		10.0
1.76	0.00	153	87.3	5.62	0.00	273	117
	0.35		60.8		0.35		113
	0.70		31.0		0.70		105
	1.05		15.6		1.05		94.2
	1.41		5.6		1.41		82.2
2.11	0.00	167	91.5		2.11		55.3
	0.35		72.1		2.81		37.6
	0.70		46.9		3.52		23.1
	1.05		25.6		4.22		13.1
	1.41		13.4		4.57		8.4
2.46	0.00	181	4.7	6.33	0.00	290	118
	0.35		97.2		0.35		116
	0.70		81.8		0.70		110
	1.05		58.2		1.41		91.4
	1.41		34.1		2.11		67.1
2.81	0.00	193	18.7		2.81		46.2
	0.35		10.6		3.52		32.2
	0.70		100		4.22		21.8
	1.05		89.0		4.92		12.5
	1.41		69.7		5.27		8.4
3.16	0.00	205	46.6	7.03	0.00	305	118
	0.35		28.1		0.35		119
	0.70		18.1		0.70		115
	1.05		10.3		1.41		98.4
	1.41		104		2.11		79.4
3.52	0.00	216	104		2.81		57.5
	0.35		93.2		3.52		42.1
	0.70		74.4		4.22		29.1
	1.05		52.4		4.92		20.0
	1.41		34.8		5.62		11.8
3.52	1.76	216	23.4	8.44	0.00	334	122
	2.11		15.3		0.35		121
	2.46		10.0		0.70		120
	2.81		8.7		1.41		112
			106		2.11		98.4
			98.1		2.81		80.1
			82.8		3.52		61.5
			62.8		4.22		46.6
			45.6		4.92		35.7
			32.2		5.62		25.9
	22.2	6.33	17.5				
	15.0	7.03	10.3				
	8.7	*(2.99)					

Copyright© 2014 REV 2014

Mazzei Injector Company, LLC  
 500 Rooster Drive, Bakersfield, CA 93307-9555 USA

TEL 661.363.6500 • FAX 661.363.7500 • www.mazzei.net

*\*NUMBERS IN PARENTHESIS indicate the injector outlet pressure when suction stops (Zero Suction Point).*

**Model 1584**