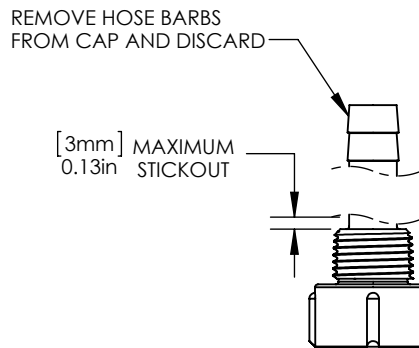
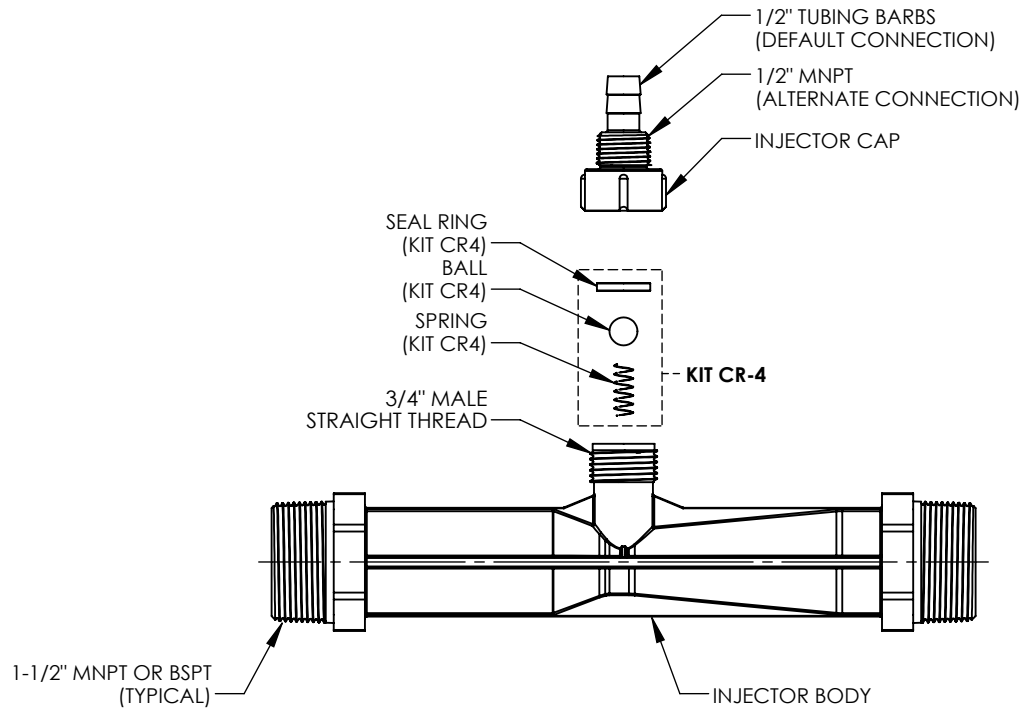


NOTES:

1. MADE IN THE U.S.A.
2. U.S. PATENT No. 5,863,128
3. U.S. No. 3,852,076 AND INTERNATIONAL REGISTERED TRADEMARKS
4. MATERIAL: GLASS FILLED POLYPROPYLENE (PP) OR POLYVINYLIDENE FLUORIDE (PVDF) OR NATURAL POLYVINYLIDENE FLUORIDE (N-PVDF) OR ETHYLENE CHLOROTRIFLUOROETHYLENE (ECTFE).
5. INLET/OUTLET CONNECTION:  
1-1/2" MNPT OR BSPT
6. SUCTION PORT CONNECTION:  
  
DEFAULT - 1/2" I.D. TUBING BARB WITH INTEGRATED CHECK VALVE  
  
ALTERNATE - 1/2" MNPT - SEE ALTERNATE CAP MODIFICATION DETAIL
7. FOR INSTALLATION RECOMMENDATIONS REFER TO MAZZEI TECHNICAL BULLETINS No. 4, No. 5, No. 6, No. 10 AND No. 11, WHICH CAN BE FOUND AT WWW.MAZZEI.NET.
8. MAZZEI INJECTOR CO., LLC.  
500 ROOSTER DR.  
BAKERSFIELD, CA 93307  
TEL: 661.363.6500  
WEB: WWW.MAZZEI.NET

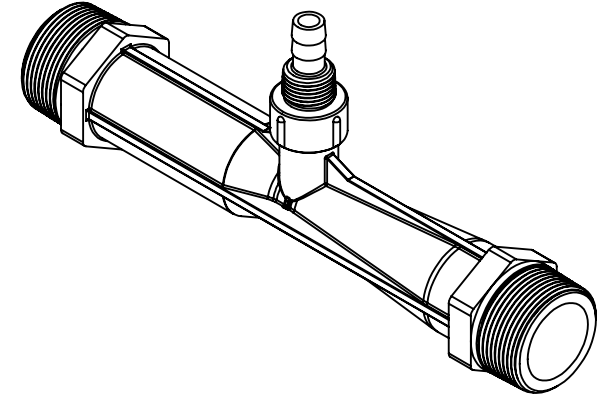


"CAP MODIFICATION DETAIL"  
(ALTERNATE)

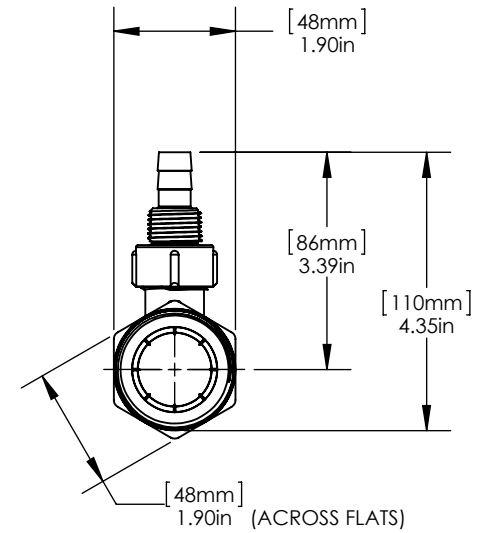
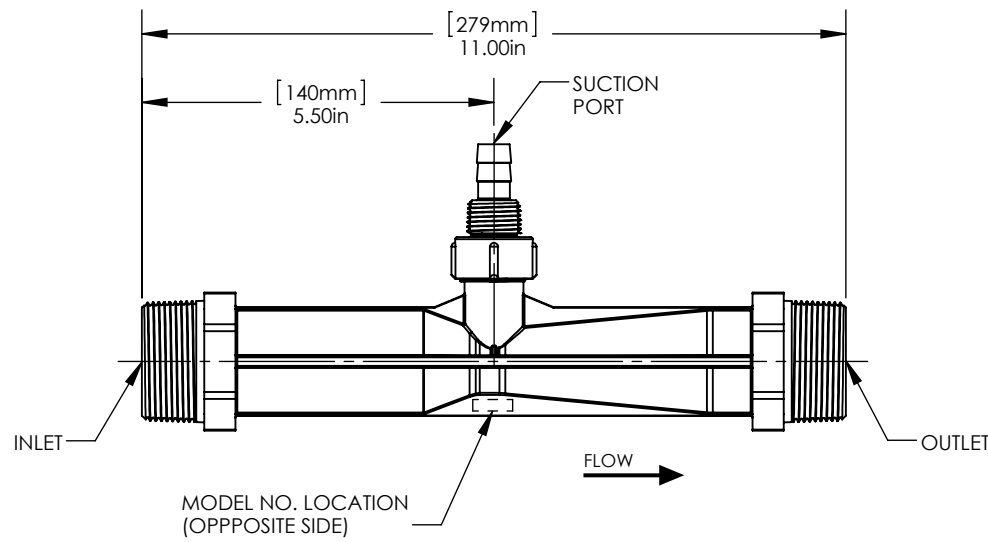
- INJECTOR BODY  
MAZZEI PART NO.'s  
1583-A PP  
1583-A PVDF  
1583-A N-PVDF  
1583-A ECTFE  
ISO 1583A GRPP  
ISO 1583A PVDF  
ISO 1583 ECTFE

KIT CR-4	
TITLE	MATERIAL
BALL	TEFLON @ (PTFE)
SEAL RING	KEL-F @ (PCTFE)
SPRING	HASTELLOY C-22

UNLESS OTHERWISE SPECIFIED DIMENSIONS ARE IN INCHES			TITLE: 1-1/2" INJECTOR; MODEL 1583-A		
DRAWN:	G. NOVINS		DRAWING NO.: 1583-A		
DATE:	7/23/2014	SIZE:	WEIGHT:	SCALE:	REV.:
APPROVED:	T. JOHNS	A	N/A	1:3	B
				SHEET:	1 OF 2



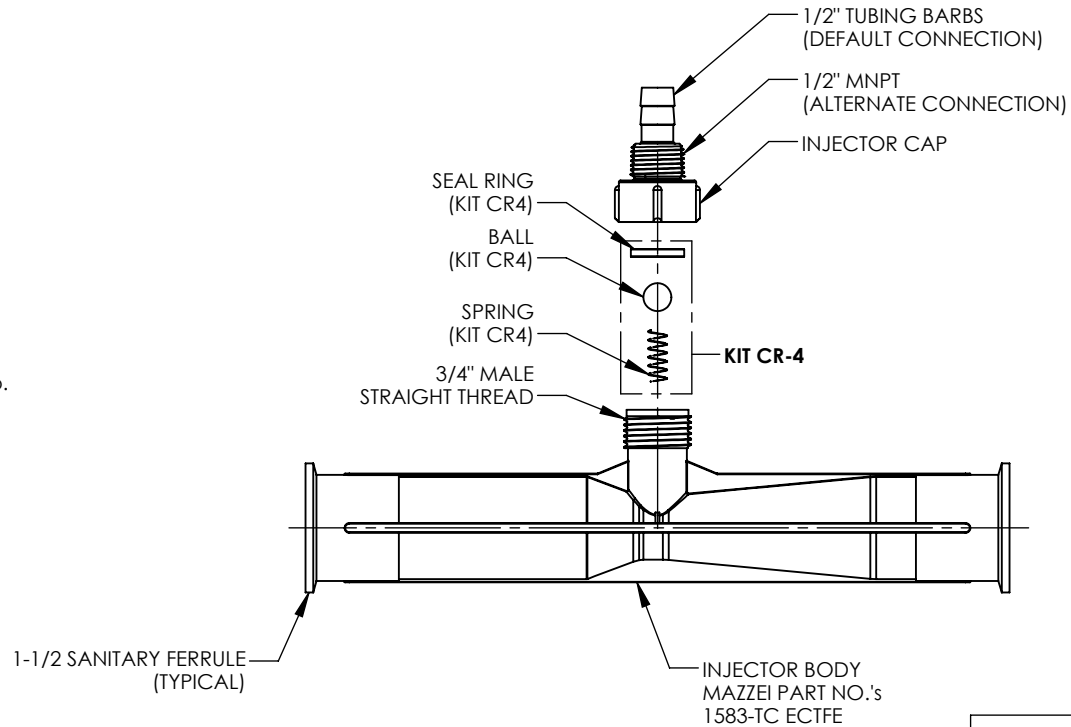
(ISOMETRIC VIEW)  
(FOR REFERENCE ONLY)



UNLESS OTHERWISE SPECIFIED DIMENSIONS ARE IN INCHES			TITLE: 1-1/2" INJECTOR; MODEL 1583-A		
DRAWN: G. NOVINS	DATE: 7/23/2014		DRAWING NO.: 1583-A		
APPROVED: T. JOHNS	SIZE: A	WEIGHT: N/A	SCALE: 1:3	REV.: B	SHEET: 2 OF 2

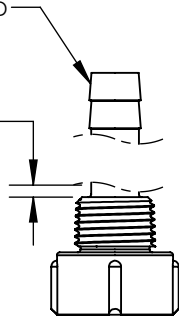
NOTES:

1. MADE IN THE U.S.A.
2. U.S. PATENT No. 5,863,128
3. U.S. No. 3,852,076 AND INTERNATIONAL REGISTERED TRADEMARKS
4. MATERIAL: ETHYLENE CHLOROTRIFLUOROETHYLENE (ECTFE).
5. INLET/OUTLET CONNECTION:  
1-1/2" SANITARY FERRULE
6. SUCTION PORT CONNECTION:  
  
DEFAULT - 1/2" I.D. TUBING BARB WITH INTEGRATED CHECK VALVE  
  
ALTERNATE - 1/2" MNPT - SEE ALTERNATE CAP MODIFICATION DETAIL
7. FOR INSTALLATION RECOMMENDATIONS REFER TO MAZZEI TECHNICAL BULLETINS No. 4, No. 5, No. 6, No. 10 AND No. 11, WHICH CAN BE FOUND AT WWW.MAZZEI.NET.
8. MAZZEI INJECTOR CO., LLC.  
500 ROOSTER DR.  
BAKERSFIELD, CA 93307  
TEL: 661.363.6500  
WEB: WWW.MAZZEI.NET



REMOVE HOSE BARBS FROM CAP AND DISCARD

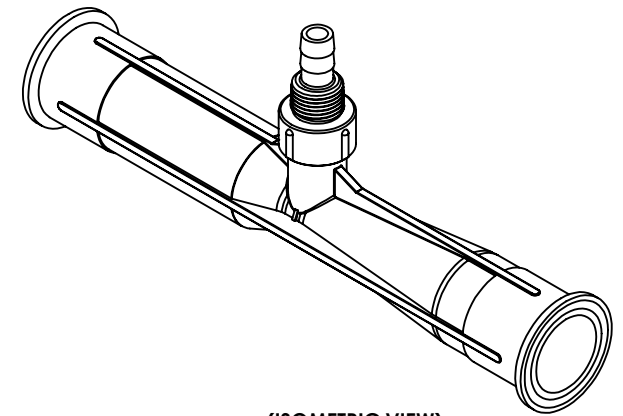
[3mm]  
0.13in  
MAXIMUM  
STICKOUT



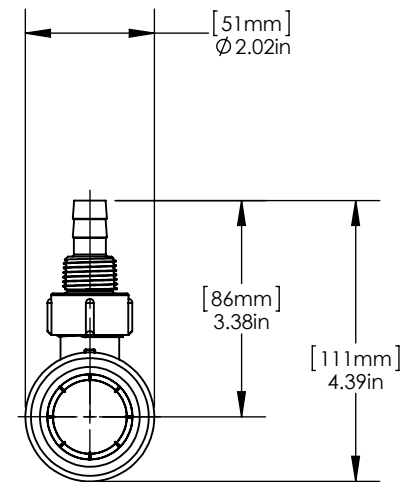
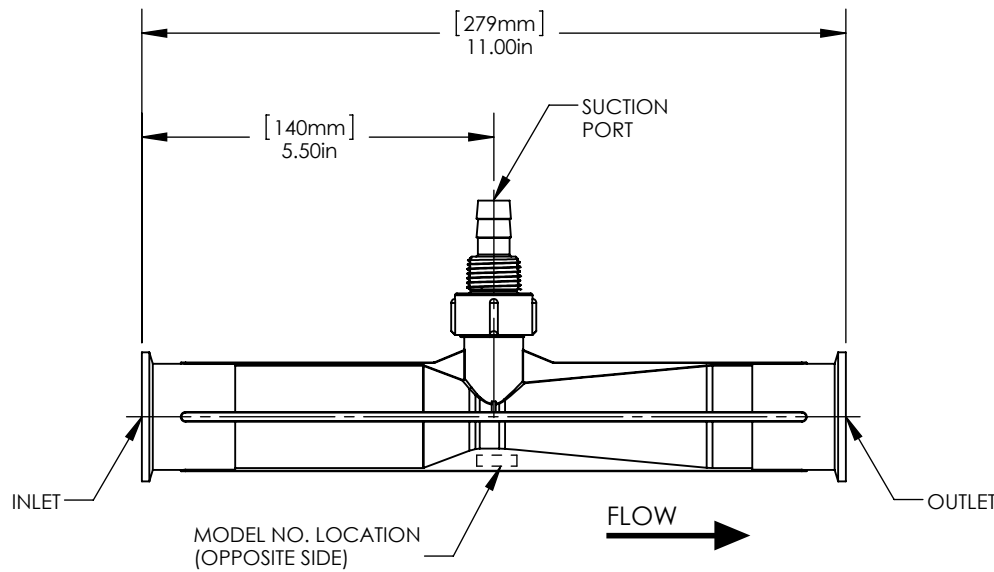
"CAP MODIFICATION DETAIL"  
(ALTERNATE)

KIT CR-4	
TITLE	MATERIAL
BALL	TEFLON @ (PTFE)
SEAL RING	KEL-F @ (PCTFE)
SPRING	HASTELLOY C-22

UNLESS OTHERWISE SPECIFIED DIMENSIONS ARE IN INCHES			TITLE: 1-1/2" INJECTOR; MODEL 1583-TC		
DRAWN:	G. NOVINS		DRAWING NO.: 1583-TC		
DATE:	7/23/2014	SIZE:	WEIGHT:	SCALE:	REV.:
APPROVED:	T. JOHNS	A	N/A	1:3	B
				SHEET:	1 OF 2



(ISOMETRIC VIEW)  
(FOR REFERENCE ONLY)

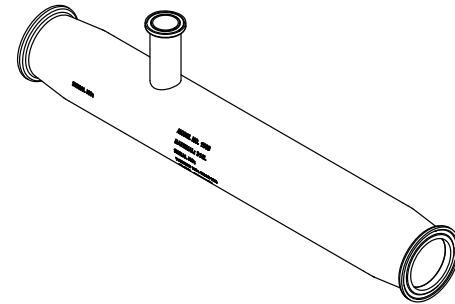


UNLESS OTHERWISE SPECIFIED DIMENSIONS ARE IN INCHES			TITLE: 1-1/2" INJECTOR; MODEL 1583-TC		
DRAWN: G. NOVINS	DATE: 7/23/2014		DRAWING NO.: 1583-TC		
APPROVED: T. JOHNS	SIZE: <b>A</b>	WEIGHT: N/A	SCALE: 1:3	REV.: B	SHEET: 2 OF 2

NOTES:


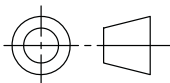
1. MATERIAL OF CONSTRUCTION: TYPE 316L, STAINLESS STEEL
2. MTR/HEAT NUMBERS ARE PROVIDED AND SHALL MEET APPLICABLE MATERIAL SPECIFICATIONS.
3. INLET/OUTLET CONNECTION:  
1.50" NOMINAL DIA., ASME BPE-2008, SANITARY TRI-CLAMP FITTING
4. SUCTION PORT CONNECTION:  
.75" NOMINAL DIA., ASME BPE-2008, SANITARY TRI-CLAMP FITTING
5. WELDING JOINTS TO BE COMPLETE JOINT PENETRATION, WHERE POSSIBLE.
6. HYDROTESTING MAY BE PERFORMED IN ACCORDANCE WITH MAZZEI SOP NO. 6090.
7. DYE PENETRANT TESTING MAY BE PERFORMED IN ACCORDANCE WITH MAZZEI SOP NO. 6095.
8. CLEANED FOR PASSIVATION PER ASTM A380 GUIDELINES.
9. PASSIVATED PER ASTM A967 AND/OR ASTM B912 SPECIFICATION.
10. WELD MAP, NON DESTRUCTIVE TESTING (NDT), CLEANING, SURFACE FINISH CERTIFICATE AND INSPECTION REPORTS TO BE PROVIDED BY MAZZEI.

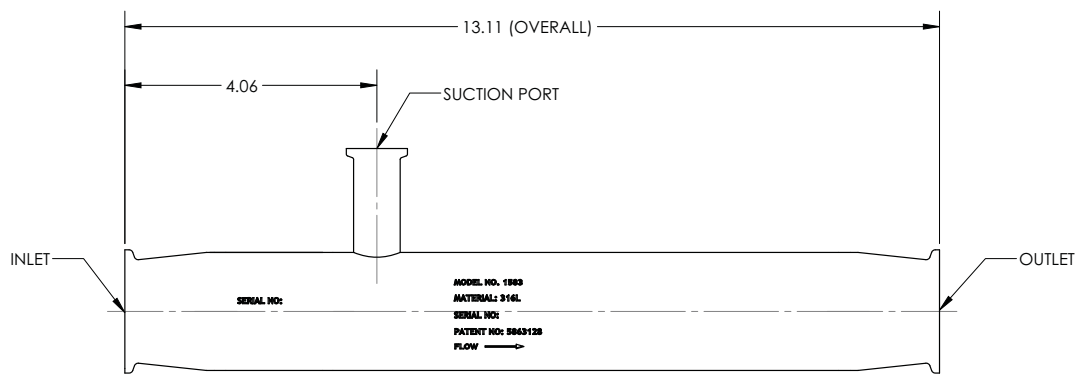
REVISIONS			
REV.	DESCRIPTION	DATE	APPROVED
NC	RELEASED FOR SUBMITTAL.	10/15/2014	J. BENNETT
A	UPDATED NOTES & SHEET FORMAT.	3/13/2015	J. BENNETT



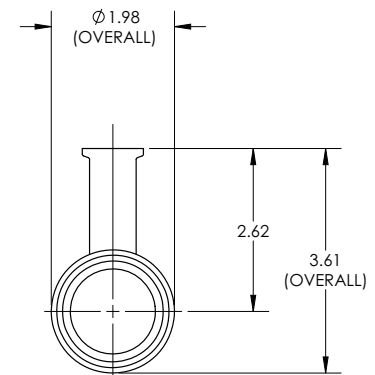
(ISOMETRIC VIEW)  
(FOR REFERENCE ONLY)

**SUBMITTAL DRAWING**


<b>SUBMITTAL NOTICE</b>		<b>CONFIDENTIALITY NOTICE</b>		UNLESS OTHERWISE SPECIFIED DIM ARE IN INCHES TOL ON ANGLE ± .50° 2 PL ± .06 3 PL ± .030 INTERPRET DIM AND TOL PER ASME Y14.5M-1994		APPROVALS		DATE		 <b>MAZZEI INJECTOR CO., LLC</b> 500 ROOSTER DRIVE BAKERSFIELD, CA 93307 PHONE: (661) 363-6500 FAX: (661)363-7500 WWW.MAZZEI.NET	
ANY RECOMMENDATIONS FOR PRODUCT AND/OR SYSTEM DESIGN, WHETHER CONTAINED IN A DOCUMENT, WITHIN THIS DRAWING, COMMUNICATED BY ELECTRONIC MEANS OR GIVEN VERBALLY, ARE INTENDED SOLELY AS GUIDELINES TO ACTUAL SYSTEM DESIGN. SAID RECOMMENDATIONS ARE BASED UPON INFORMATION SUPPLIED BY OTHERS, THE ACCURACY OF WHICH IS BEYOND VERIFICATION BY MAZZEI INJECTOR CO. LLC. THEREFORE MAZZEI CANNOT AND DOES NOT WARRANT THE SUITABILITY OF ITS PRODUCTS FOR A PARTICULAR SERVICE NOR THE PERFORMANCE OF ANY SYSTEM CONTAINING COMPONENTS MADE OR SOLD BY MAZZEI.		THE INFORMATION CONTAINED IN THIS DRAWING IS THE SOLE PROPERTY OF MAZZEI INJECTOR COMPANY LLC. ANY REPRODUCTION IN PART OR AS A WHOLE WITHOUT THE WRITTEN PERMISSION OF MAZZEI IS STRICTLY PROHIBITED.		<b>THIRD ANGLE PROJECTION</b> 		DRAWN: J. PEREZ		10/16/2014			
						CHECKED: T. JOHNS		10/16/2014			
				APPROVED: J. BENNETT		10/16/2014		DESCRIPTION:			
				CUSTOMER APPROVAL: -				SIZE: <b>B</b> JOB NO.: <b>N/A</b> DRAWING NUMBER: <b>SSF01583ABBC0-SUB</b> REV: <b>A</b>			
		DRAWING MAY NOT BE PRINTED FULL SIZE DO NOT SCALE				CUSTOMER: N/A		SCALE: <b>NONE</b> WEIGHT: <b>5.75 LBS</b> SHEET: <b>1 OF 2</b>			



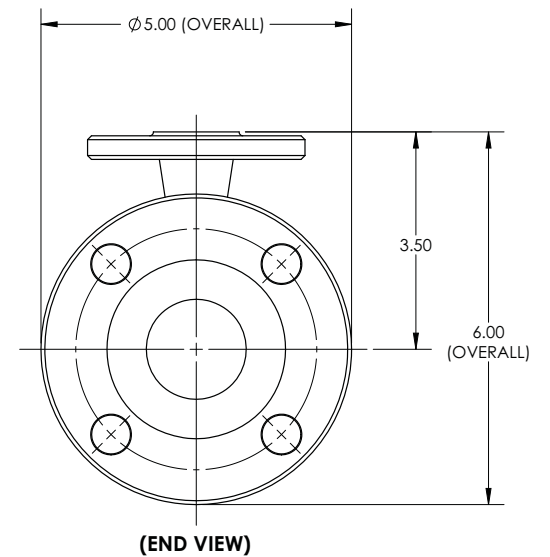
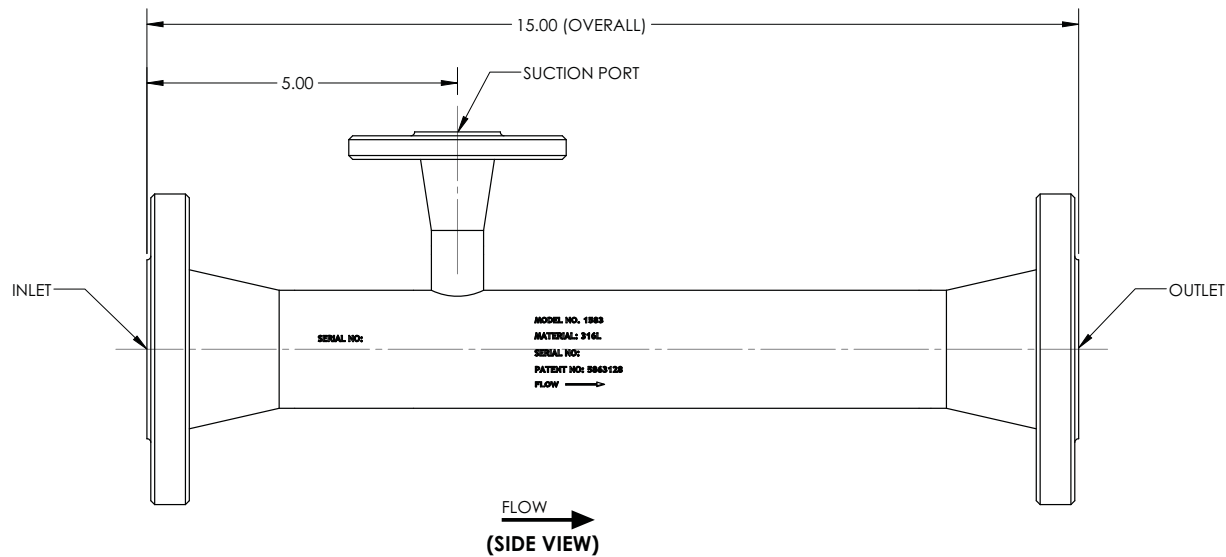
FLOW →  
(SIDE VIEW)




(END VIEW)

		<b>MAZZEI INJECTOR CO., LLC</b> 500 ROOSTER DRIVE BAKERSFIELD, CA 93307 PHONE: (661) 363-6500 FAX: (661)363-7500 WWW.MAZZEI.NET	
		DESCRIPTION: INJECTOR; SSF01583ABBC0	
SIZE:	JOB NO.:	DRAWING NUMBER:	REV:
<b>B</b>	N/A	SSF01583ABBC0-SUB	<b>A</b>
SCALE:	WEIGHT:	SHEET:	
1:2	5.75 LBS	2 OF 2	





		<b>MAZZEI INJECTOR CO., LLC</b> 500 ROOSTER DRIVE BAKERSFIELD, CA 93307 PHONE: (661) 363-6500 FAX: (661)363-7500 WWW.MAZZEI.NET	
		DESCRIPTION: INJECTOR; SSF01583AAA00	
SIZE:	JOB NO.:	DRAWING NUMBER:	REV:
<b>B</b>	N/A	SSF01583AAA00-SUB	<b>C</b>
SCALE:	WEIGHT:	SHEET:	
1:2	13.83 LBS	2 OF 2	





Operating Pressure PSIG		WATER SUCTION		Operating Pressure PSIG		WATER SUCTION	
Injector INLET	Injector OUTLET	Motive Flow GPM	Water Suction GPH	Injector INLET	Injector OUTLET	Motive Flow GPM	Water Suction GPH
<b>5</b>	0	<b>10.7</b>	135	<b>60</b>	0	<b>37.2</b>	229
	1		84.4		5		228
	2		53.2		10		229
	3				15		226
	4		*(4.4)		20		227
<b>10</b>	0	<b>15.2</b>	219		30		206
	2		143		35		182
	5		78.7		40		147
	7		42.0		45		*(49.4) 82.1
	8		*(8.6)				
<b>15</b>	0	<b>18.6</b>	225	<b>70</b>	0	<b>40.1</b>	228
	5		163		5		228
	7		124		10		228
	10		86.5		15		228
	12		*(13.0)		20		228
<b>20</b>	0	<b>21.4</b>	228		30		225
	5		205		40		198
	10		143		45		159
	12		131		50		124
	15		*(17.9)		55		*(56.7) 43.2
<b>25</b>	0	<b>24.0</b>	226	<b>80</b>	0	<b>42.9</b>	231
	5		226		5		231
	10		193		10		231
	15		148		15		231
	20		*(22.1)		20		231
<b>30</b>	0	<b>26.3</b>	226		30		231
	5		226		40		220
	10		211		50		177
	15		167		60		93.1
	20		125		65		*(70.1) 11.9
<b>35</b>	0	<b>28.4</b>	226	<b>90</b>	0	<b>45.5</b>	229
	5		226		5		229
	10		224		10		229
	15		205		20		229
	20		164		30		229
<b>40</b>	0	<b>30.3</b>	227		40		229
	5		228		50		217
	10		227		60		177
	15		220		70		49.0
	20		192		75		*(73.1)
<b>45</b>	0	<b>32.2</b>	227	<b>100</b>	0	<b>48.0</b>	232
	5		228		5		232
	10		227		10		232
	15		223		20		232
	20		212		30		232
<b>50</b>	0	<b>33.9</b>	227		40		232
	5		227		50		228
	10		226		60		206
	15		225		70		146
	20		224		80		*(81.3) 25.7
	25		203				
	30		172				
	35		120				
	40		*(41.9)				
	40		40.4				

**Injector Performance Table**  
*Water Suction Capacity*

**Model 1583**

Copyright© 2014 REV 2014

Mazzei Injector Company, LLC  
 500 Rooster Drive, Bakersfield, CA 93307-9555 USA

TEL 661.363.6500 • FAX 661.363.7500 • www.mazzei.net

*\*NUMBERS IN PARENTHESIS indicate the injector outlet pressure when suction stops (Zero Suction Point).*



**Injector Performance Table**  
**Water Suction Capacity - METRIC**

Operating Pressure kg/cm <sup>2</sup>		WATER SUCTION		Operating Pressure kg/cm <sup>2</sup>		WATER SUCTION	
Injector Inlet	Injector Outlet	Motive Flow l/min	Water Suction l/hr	Injector Inlet	Injector Outlet	Motive Flow l/min	Water Suction l/hr
<b>0.35</b>	0.00	<b>40.6</b>	514	<b>4.22</b>	0.00	<b>141</b>	869
	0.07		319		0.35		866
	0.14		201		0.70		866
	0.21				1.05		859
	0.28		*(0.31)		1.41		862
<b>0.70</b>	0.00	<b>57.4</b>	832	<b>4.92</b>	0.00	<b>152</b>	865
	0.14		544		0.35		865
	0.35		298		0.70		865
	0.49		159		1.05		865
	0.56		*(0.61)		1.41		854
<b>1.05</b>	0.00	<b>70.3</b>	852	<b>5.62</b>	0.00	<b>162</b>	876
	0.35		620		0.35		876
	0.49		470		0.70		876
	0.70		327		1.05		876
	0.84		*(0.91)		1.41		876
<b>1.41</b>	0.00	<b>81.2</b>	863	<b>6.33</b>	0.00	<b>172</b>	868
	0.35		777		0.35		868
	0.70		543		0.70		868
	0.84		498		1.05		868
	1.05		*(1.26)		1.41		867
<b>1.76</b>	0.00	<b>90.8</b>	858	<b>7.03</b>	0.00	<b>182</b>	878
	0.35		856		0.35		878
	0.70		733		0.70		878
	1.05		560		1.05		878
	1.41		*(1.55)		1.41		878
<b>2.11</b>	0.00	<b>99.4</b>	857	<b>4.22</b>	0.00	<b>182</b>	878
	0.35		856		0.35		878
	0.70		801		0.70		878
	1.05		633		1.05		878
	1.41		475		1.41		878
	1.76		*(1.83)		1.76		878
<b>2.46</b>	0.00	<b>107</b>	858	<b>5.62</b>	0.00	<b>182</b>	878
	0.35		857		0.35		878
	0.70		848		0.70		878
	1.05		778		1.05		878
	1.41		623		1.41		878
	1.76		*(2.07)		1.76		878
<b>2.81</b>	0.00	<b>115</b>	860	<b>7.03</b>	0.00	<b>182</b>	878
	0.35		865		0.35		878
	0.70		860		0.70		878
	1.05		834		1.05		878
	1.41		729		1.41		878
	1.76		*(2.35)		1.76		878
<b>3.16</b>	0.00	<b>122</b>	862	<b>4.22</b>	0.00	<b>182</b>	878
	0.35		863		0.35		878
	0.70		862		0.70		878
	1.05		845		1.05		878
	1.41		803		1.41		878
	1.76		662		1.76		878
	2.11		427		2.11		878
	2.46		*(2.64)		2.46		878
<b>3.52</b>	0.00	<b>128</b>	860	<b>5.62</b>	0.00	<b>182</b>	878
	0.35		860		0.35		878
	0.70		856		0.70		878
	1.05		853		1.05		878
	1.41		849		1.41		878
	1.76		770		1.76		878
	2.11		652		2.11		878
	2.46		456		2.46		878
2.81	*(2.95)	2.81	878				

Copyright© 2014 REV 2014

Mazzei Injector Company, LLC  
 500 Rooster Drive, Bakersfield, CA 93307-9555 USA

TEL 661.363.6500 • FAX 661.363.7500 • www.mazzei.net

*\*NUMBERS IN PARENTHESIS indicate the injector outlet pressure when suction stops (Zero Suction Point).*

**Model 1583**



Operating Pressure PSIG		AIR SUCTION		Operating Pressure PSIG		AIR SUCTION		
Injector INLET	Injector OUTLET	Motive Flow GPM	Air Suction SCFH	Injector INLET	Injector OUTLET	Motive Flow GPM	Air Suction SCFH	
5	0	10.3	39.4	60	0	35.6	214	
	1		17.1		5		150	
	2		3.9		10		75.5	
	3		2.0		15		52.5	
	4		*(4.4)		20		39.6	
10	0	14.5	85.3	70	0	38.5	241	
	2		25.9		5		189	
	5		8.3		10		100	
	7		4.1		15		67.1	
	8		*(8.6)		20		47.7	
15	0	17.8	114	80	0	41.1	249	
	5		21.7		5		198	
	7		13.9		10		108	
	10		6.2		15		72.4	
	12		*(13.0)		20		58.8	
20	0	20.6	133	90	0	43.6	262	
	5		35.6		5		208	
	10		14.8		10		139	
	12		9.4		15		71.3	
	15		*(17.9)		20		47.3	
25	0	23.0	139	100	0	46.0	279	
	5		48.7		5		231	
	10		23.5		10		166	
	15		11.8		15		80.8	
	20		*(22.1)		20		55.1	
30	0	25.2	158	120	0	50.4	295	
	5		56.6		5		248	
	10		30.8		10		216	
	15		16.3		15		107	
	20		8.9		20		71.0	
35	0	27.2	161	30	32.5	35.6	53.3	
	5		68.3				40	39.6
	10		36.2				50	29.3
	15		22.0				60	20.5
	20		13.5				70	19.8
40	0	29.1	173	40	30.8	30.8	16.1	
	5		79.2				50	16.1
	10		43.4				60	16.1
	15		28.4				70	16.1
	20		18.8				80	16.1
45	0	30.8	194	50	32.5	32.5	16.1	
	5		97.4				60	16.1
	10		51.2				70	16.1
	15		33.9				80	16.1
	20		23.4				90	16.1
50	0	32.5	195	60	32.5	32.5	16.1	
	5		109				70	16.1
	10		59.0				80	16.1
	15		41.4				90	16.1
	20		28.2				100	16.1
55	0	32.5	195	70	32.5	32.5	16.1	
	5		109				80	16.1
	10		59.0				90	16.1
	15		41.4				100	16.1
	20		28.2				110	16.1

Injector Performance Table  
 Air Suction Capacity

Model 1583

Copyright© 2014 REV 2014

Mazzei Injector Company, LLC  
 500 Rooster Drive, Bakersfield, CA 93307-9555 USA

TEL 661.363.6500 • FAX 661.363.7500 • www.mazzei.net

\*NUMBERS IN PARENTHESIS indicate the injector outlet pressure when suction stops (Zero Suction Point).



**Injector Performance Table**  
**Air Suction Capacity - METRIC**

Operating Pressure kg/cm <sup>2</sup>		AIR SUCTION		Operating Pressure kg/cm <sup>2</sup>		AIR SUCTION	
Injector INLET	Injector OUTLET	Motive Flow l/min	Air Suction l/min	Injector INLET	Injector OUTLET	Motive Flow l/min	Air Suction l/min
0.35	0.00	38.9	18.6	4.22	0.00	135	101
	0.07		8.0		0.35		70.9
	0.14		1.8		0.70		35.6
	0.21		0.98		1.05		24.8
	0.28		*(0.31)		1.41		18.6
0.70	0.00	55.0	40.2		2.11		9.8
	0.14		12.2		2.46		7.9
	0.35		3.9		2.81		5.6
	0.49		1.9		3.16		4.9
	0.56		*(0.61)		3.16		*(3.47)
1.05	0.00	67.4	54.2	4.92	0.00	146	113
	0.35		10.2		0.35		89.2
	0.49		6.5		0.70		47.3
	0.70		2.9		1.05		31.7
	0.84		*(0.91)		1.41		22.5
1.41	0.00	77.8	62.8		2.11		12.9
	0.35		16.8		2.81		8.5
	0.70		7.0		3.16		5.9
	0.84		4.4		3.52		5.6
	1.05		*(1.26)		3.87		*(3.99)
1.76	0.00	87.0	65.8	5.62	0.00	156	117
	0.35		23.0		0.35		93.5
	0.70		11.1		0.70		51.1
	1.05		5.5		1.05		34.2
	1.41		*(1.55)		1.41		27.7
2.11	0.00	95.3	74.7		2.11		17.7
	0.35		26.7		2.81		11.2
	0.70		14.5		3.52		7.1
	1.05		7.7		4.22		5.8
	1.41		*(1.83)		4.57		*(4.92)
2.46	0.00	103	76.1	6.33	0.00	165	123
	0.35		32.2		0.35		98.3
	0.70		17.1		0.70		65.8
	1.05		10.3		1.41		33.6
	1.41		6.3		2.11		22.3
2.81	0.00	110	81.8		2.81		14.8
	0.35		37.3		3.52		10.3
	0.70		20.4		4.22		6.0
	1.05		13.4		4.92		3.3
	1.76		*(2.07)		5.27		*(5.14)
3.16	0.00	117	91.7	7.03	0.00	174	131
	0.35		46.0		0.35		109
	0.70		24.2		0.70		78.5
	1.05		16.0		1.41		38.1
	1.41		11.0		2.11		26.0
3.52	0.00	123	92.0		2.81		18.1
	0.35		51.6		3.52		12.5
	0.70		27.8		4.22		9.0
	1.05		19.5		4.92		8.2
	1.41		13.3		5.62		*(5.72)
3.52	0.00	123	92.0	8.44	0.00	191	139
	0.35		51.6		0.35		117
	0.70		27.8		0.70		102
	1.05		19.5		1.41		50.5
	1.41		13.3		2.11		33.5
	1.76		8.9		2.81		25.1
	2.11		6.5		3.52		18.7
	2.46		4.6		4.22		13.8
2.81	*(2.95)	4.92	9.7				
			3.1		5.62		9.3
				6.33	7.6		
				7.03	*(6.92)		

Copyright© 2014 REV 2014

Mazzei Injector Company, LLC  
 500 Rooster Drive, Bakersfield, CA 93307-9555 USA

TEL 661.363.6500 • FAX 661.363.7500 • www.mazzei.net

*\*NUMBERS IN PARENTHESIS indicate the injector outlet pressure when suction stops (Zero Suction Point).*

**Model 1583**