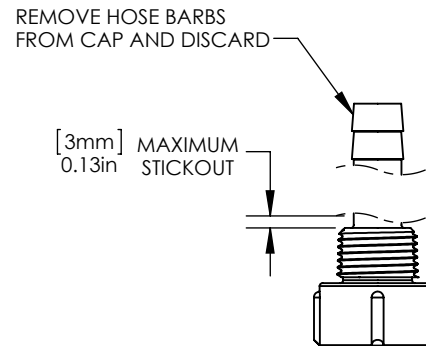
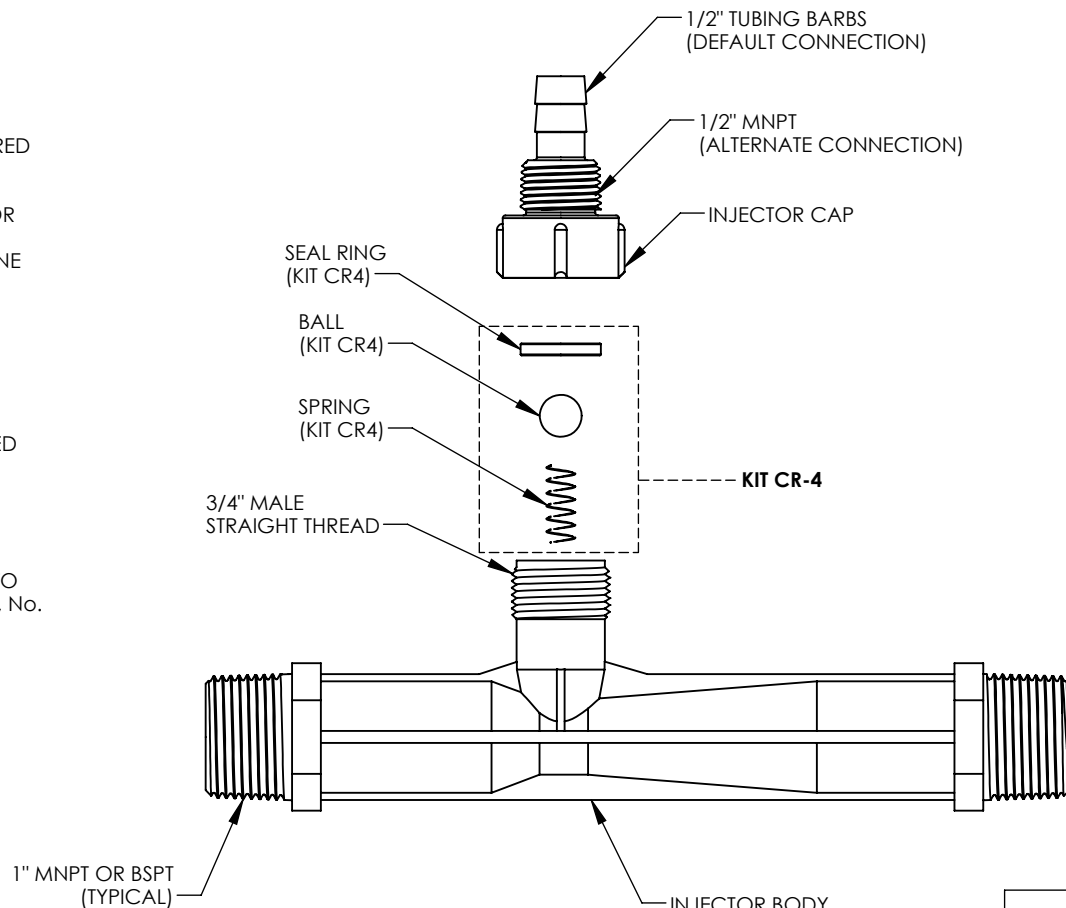


NOTES:

1. MADE IN THE U.S.A.
2. U.S. PATENT No. 5,863,128
3. U.S. No. 3,852,076 AND INTERNATIONAL REGISTERED TRADEMARKS
4. MATERIAL: GLASS FILLED POLYPROPYLENE (PP) OR POLYVINYLIDENE FLUORIDE (PVDF) OR NATURAL POLYVINYLIDENE FLUORIDE (N-PVDF) OR ETHYLENE CHLOROTRIFLUOROETHYLENE (ECTFE).
5. INLET/OUTLET CONNECTION:
1" MNPT OR BSPT
6. SUCTION PORT CONNECTION:
DEFAULT - 1/2" I.D. TUBING BARB WITH INTEGRATED CHECK VALVE

ALTERNATE - 1/2" MNPT - SEE ALTERNATE CAP MODIFICATION DETAIL
7. FOR INSTALLATION RECOMMENDATIONS REFER TO MAZZEI TECHNICAL BULLETINS No. 4, No. 5, No. 6, No. 10 AND No. 11, WHICH CAN BE FOUND AT WWW.MAZZEI.NET.
8. MAZZEI INJECTOR CO., LLC.
500 ROOSTER DR.
BAKERSFIELD, CA 93307
TEL: 661.363.6500
WEB: WWW.MAZZEI.NET

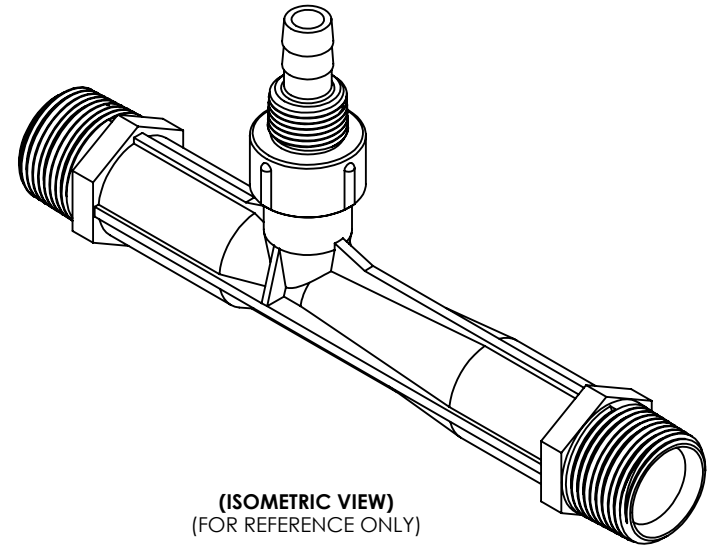


"CAP MODIFICATION DETAIL"
(ALTERNATE)

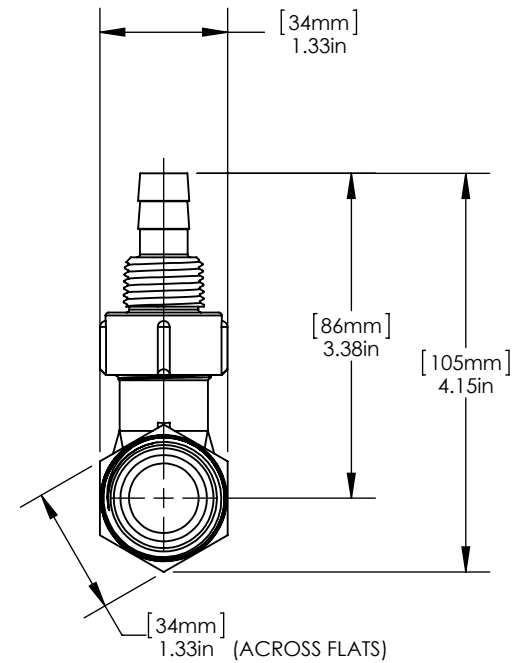
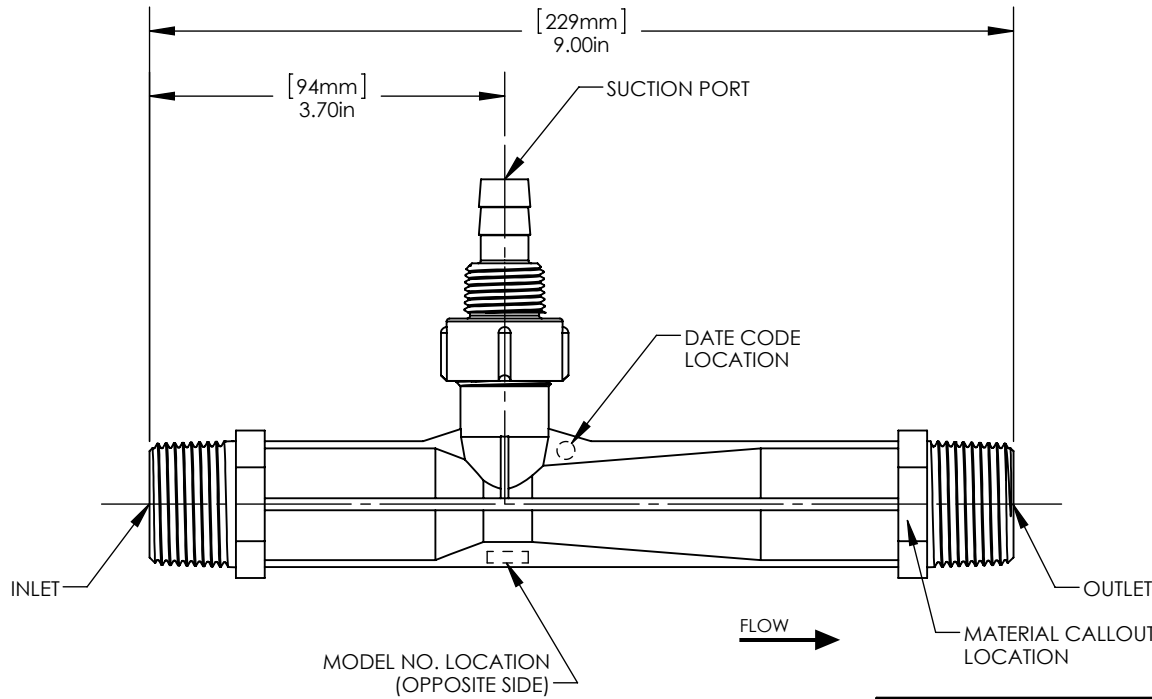
- INJECTOR BODY
MAZZEI PART NO.'S
- 1078 3 PP
 - 1078 3 PVDF
 - 1078 3 N-PVDF
 - 1078 2 ECTFE
 - ISO 1078 3 GRPP
 - ISO 1078 3 PVDF
 - ISO 1078 2 ECTFE

KIT CR-4	
TITLE	MATERIAL
BALL	TEFLON @ (PTFE)
SEAL RING	KEL-F @ (PCTFE)
SPRING	HASTELLOY C-22

UNLESS OTHERWISE SPECIFIED DIMENSIONS ARE IN INCHES			TITLE: 1" INJECTOR; MODEL 1078 3		
DRAWN: T. JOHNS	DATE: 7/19/2013		DRAWING NO.: 1078 3		
APPROVED: P. BANKOWSKI	SIZE: A	WEIGHT: N/A	SCALE: 1:2	REV.: B	SHEET: 1 OF 2



(ISOMETRIC VIEW)
(FOR REFERENCE ONLY)

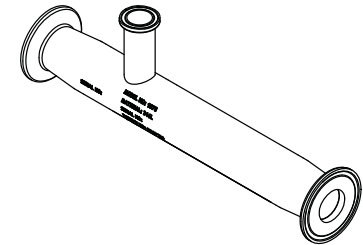


UNLESS OTHERWISE SPECIFIED DIMENSIONS ARE IN INCHES			TITLE: 1" INJECTOR; MODEL 1078 3		
DRAWN: T. JOHNS	DATE: 7/19/2013		DRAWING NO.: 1078 3		
APPROVED: P. BANKOWSKI	SIZE: A	WEIGHT: N/A	SCALE: 1:2	REV.: B	SHEET: 2 OF 2

NOTES:


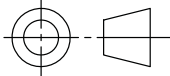
1. MATERIAL OF CONSTRUCTION: TYPE 316L, STAINLESS STEEL
2. MTR/HEAT NUMBERS ARE PROVIDED AND SHALL MEET APPLICABLE MATERIAL SPECIFICATIONS.
3. INLET/OUTLET CONNECTION:
1.00" NOMINAL DIA., ASME BPE-2008, SANITARY TRI-CLAMP FITTING
4. SUCTION PORT CONNECTION:
.75" NOMINAL DIA., ASME BPE-2008, SANITARY TRI-CLAMP FITTING
5. WELDING JOINTS TO BE COMPLETE JOINT PENETRATION, WHERE POSSIBLE.
6. HYDROTESTING MAY BE PERFORMED IN ACCORDANCE WITH MAZZEI SOP NO. 6090.
7. DYE PENETRANT TESTING MAY BE PERFORMED IN ACCORDANCE WITH MAZZEI SOP NO. 6095.
8. CLEANED FOR PASSIVATION PER ASTM A380 GUIDELINES.
9. PASSIVATED PER ASTM A967 AND/OR ASTM B912 SPECIFICATION.
10. WELD MAP, NON DESTRUCTIVE TESTING (NDT), CLEANING, SURFACE FINISH CERTIFICATE AND INSPECTION REPORTS TO BE PROVIDED BY MAZZEI.

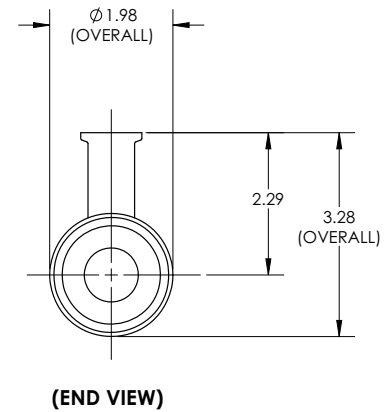
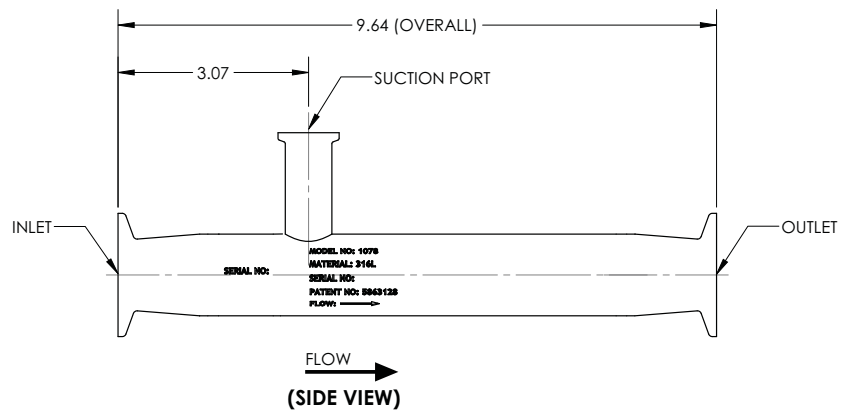
REVISIONS			
REV.	DESCRIPTION	DATE	APPROVED
NC	RELEASED FOR SUBMITTAL.	10/16/2014	J. BENNETT
A	UPDATED NOTES & SHEET FORMAT.	3/13/2015	J. BENNETT




(ISOMETRIC VIEW)
(FOR REFERENCE ONLY)

SUBMITTAL DRAWING

SUBMITTAL NOTICE		CONFIDENTIALITY NOTICE		UNLESS OTHERWISE SPECIFIED DIM ARE IN INCHES TOL ON ANGLE ± .50° 2 PL ± .06 3 PL ± .030 INTERPRET DIM AND TOL PER ASME Y14.5M-1994		APPROVALS		DATE		 MAZZEI INJECTOR CO., LLC 500 ROOSTER DRIVE BAKERSFIELD, CA 93307 PHONE: (661) 363-6500 FAX: (661)363-7500 WWW.MAZZEI.NET			
ANY RECOMMENDATIONS FOR PRODUCT AND/OR SYSTEM DESIGN, WHETHER CONTAINED IN A DOCUMENT, WITHIN THIS DRAWING, COMMUNICATED BY ELECTRONIC MEANS OR GIVEN VERBALLY, ARE INTENDED SOLELY AS GUIDELINES TO ACTUAL SYSTEM DESIGN. SAID RECOMMENDATIONS ARE BASED UPON INFORMATION SUPPLIED BY OTHERS, THE ACCURACY OF WHICH IS BEYOND VERIFICATION BY MAZZEI INJECTOR CO. LLC. THEREFORE MAZZEI CANNOT AND DOES NOT WARRANT THE SUITABILITY OF ITS PRODUCTS FOR A PARTICULAR SERVICE NOR THE PERFORMANCE OF ANY SYSTEM CONTAINING COMPONENTS MADE OR SOLD BY MAZZEI.		THE INFORMATION CONTAINED IN THIS DRAWING IS THE SOLE PROPERTY OF MAZZEI INJECTOR COMPANY LLC. ANY REPRODUCTION IN PART OR AS A WHOLE WITHOUT THE WRITTEN PERMISSION OF MAZZEI IS STRICTLY PROHIBITED.		THIRD ANGLE PROJECTION 		DRAWN: J. PEREZ		10/16/2014				INJECTOR; SSF01078ABBC0 SIZE: B JOB NO.: N/A DRAWING NUMBER: SSF01078ABBC0-SUB REV: A SCALE: NONE WEIGHT: 2.30 LBS SHEET: 1 OF 2	
DRAWING MAY NOT BE PRINTED FULL SIZE DO NOT SCALE						CHECKED: T. JOHNS		10/16/2014		APPROVED: J. BENNETT			
				QA: -		CUSTOMER APPROVAL: -		CUSTOMER: N/A					

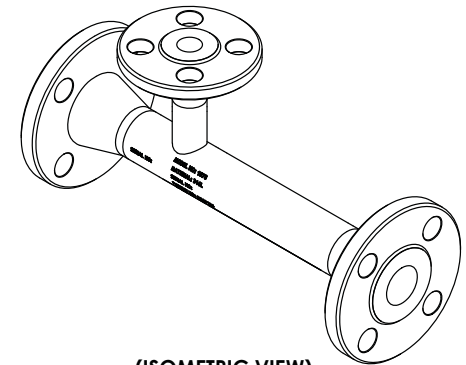


		MAZZEI INJECTOR CO., LLC 500 ROOSTER DRIVE BAKERSFIELD, CA 93307 PHONE: (661) 363-6500 FAX: (661)363-7500 WWW.MAZZEI.NET	
		DESCRIPTION: INJECTOR; SSF01078ABBC0	
SIZE:	JOB NO.:	DRAWING NUMBER:	REV:
B	N/A	SSF01078ABBC0-SUB	A
SCALE:	WEIGHT:	SHEET:	
1:2	2.30 LBS	2 OF 2	

NOTES:


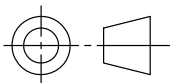
1. MATERIAL OF CONSTRUCTION: TYPE 316L, STAINLESS STEEL
2. MTR/HEAT NUMBERS ARE PROVIDED AND SHALL MEET APPLICABLE MATERIAL SPECIFICATIONS.
3. FLANGE BOLTS HOLES TO STRADDLE COMMON CENTERLINES, UNLESS OTHERWISE NOTED.
4. INLET/OUTLET CONNECTION:
1.00" NOMINAL DIA., ANSI B16.5, CLASS 150, SCHED. 40, RAISED FACE - WELD NECK FLANGE
5. SUCTION PORT CONNECTION:
.50" NOMINAL DIA., ANSI B16.5, CLASS 150, SCHED. 40, RAISED FACE - WELD NECK FLANGE
6. WELDING JOINTS TO BE COMPLETE JOINT PENETRATION, WHERE POSSIBLE.
7. HYDROTESTING MAY BE PERFORMED IN ACCORDANCE WITH MAZZEI SOP NO. 6090.
8. DYE PENETRANT TESTING MAY BE PERFORMED IN ACCORDANCE WITH MAZZEI SOP NO. 6095.
9. CLEANED FOR PASSIVATION PER ASTM A380 GUIDELINES.
10. PASSIVATED PER ASTM A967 SPECIFICATION.
11. WELD MAP, NON DESTRUCTIVE TESTING (NDT), CLEANING AND INSPECTION REPORTS TO BE PROVIDED BY MAZZEI.

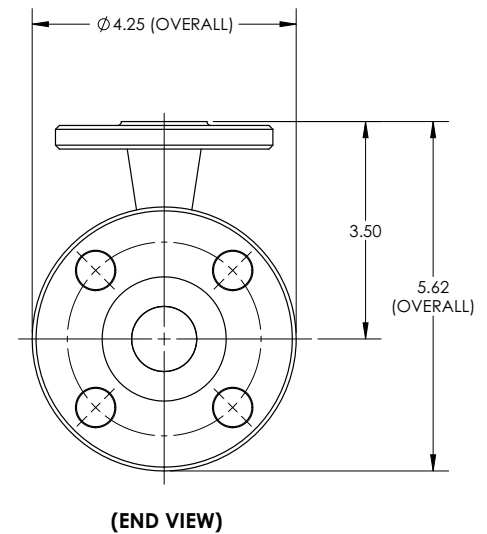
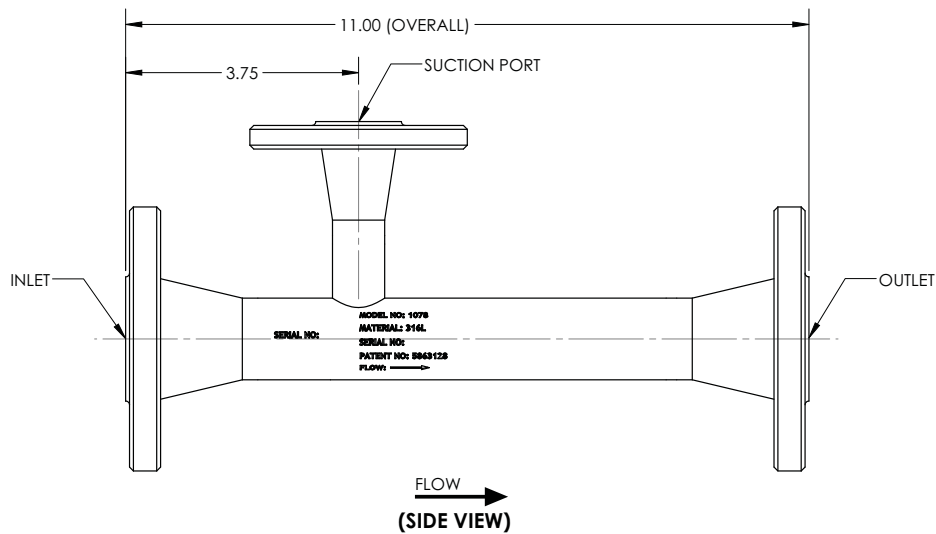
REVISIONS			
REV.	DESCRIPTION	DATE	APPROVED
A	RELEASED FOR SUBMITTAL.	3/18/2014	J. BENNETT
B	UPDATED NOTES & SHEET FORMAT.	3/13/2015	J. BENNETT




(ISOMETRIC VIEW)
(FOR REFERENCE ONLY)

SUBMITTAL DRAWING

SUBMITTAL NOTICE		CONFIDENTIALITY NOTICE		UNLESS OTHERWISE SPECIFIED DIM ARE IN INCHES TOL ON ANGLE ± .50° 2 PL ± .06 3 PL ± .030 INTERPRET DIM AND TOL PER ASME Y14.5M-1994		APPROVALS		DATE		 MAZZEI INJECTOR CO., LLC 500 ROOSTER DRIVE BAKERSFIELD, CA 93307 PHONE: (661) 363-6500 FAX: (661)363-7500 WWW.MAZZEI.NET			
ANY RECOMMENDATIONS FOR PRODUCT AND/OR SYSTEM DESIGN, WHETHER CONTAINED IN A DOCUMENT, WITHIN THIS DRAWING, COMMUNICATED BY ELECTRONIC MEANS OR GIVEN VERBALLY, ARE INTENDED SOLELY AS GUIDELINES TO ACTUAL SYSTEM DESIGN. SAID RECOMMENDATIONS ARE BASED UPON INFORMATION SUPPLIED BY OTHERS, THE ACCURACY OF WHICH IS BEYOND VERIFICATION BY MAZZEI INJECTOR CO. LLC. THEREFORE MAZZEI CANNOT AND DOES NOT WARRANT THE SUITABILITY OF ITS PRODUCTS FOR A PARTICULAR SERVICE NOR THE PERFORMANCE OF ANY SYSTEM CONTAINING COMPONENTS MADE OR SOLD BY MAZZEI.		THE INFORMATION CONTAINED IN THIS DRAWING IS THE SOLE PROPERTY OF MAZZEI INJECTOR COMPANY LLC. ANY REPRODUCTION IN PART OR AS A WHOLE WITHOUT THE WRITTEN PERMISSION OF MAZZEI IS STRICTLY PROHIBITED.		THIRD ANGLE PROJECTION 		DRAWN: T. JOHNS		3/18/2014				INJECTOR; SSF01078AAA00 SIZE: B JOB NO.: N/A DRAWING NUMBER: SSF01078AAA00-SUB REV: B SCALE: NONE WEIGHT: 7.37 LBS SHEET: 1 OF 2	
DRAWING MAY NOT BE PRINTED FULL SIZE DO NOT SCALE						CHECKED: J. BENNETT		3/18/2014		APPROVED: J. BENNETT			
				QA: -		CUSTOMER APPROVAL: -		CUSTOMER: N/A					



		MAZZEI INJECTOR CO., LLC 500 ROOSTER DRIVE BAKERSFIELD, CA 93307 PHONE: (661) 363-6500 FAX: (661)363-7500 WWW.MAZZEI.NET	
		DESCRIPTION: INJECTOR; SSF01078AAA00	
SIZE:	JOB NO.:	DRAWING NUMBER:	REV:
B	N/A	SSF01078AAA00-SUB	B
SCALE:	WEIGHT:	SHEET:	
1:2	7.37 LBS	2 OF 2	



Operating Pressure PSIG		WATER SUCTION		Operating Pressure PSIG		WATER SUCTION				
Injector INLET	Injector OUTLET	Motive Flow GPM	Water Suction GPH	Injector INLET	Injector OUTLET	Motive Flow GPM	Water Suction GPH			
5	0	5.5	101	60	0	19.0	92.7			
	1		46.4		5		92.7			
	2		22.1		10		92.7			
	3		2.7		15		92.7			
	4		*(4.0)		20		92.7			
10	0	7.7	105		30		93.0			
	2		75.6		35		91.7			
	5		41.7		40		77.1			
	7		19.1		45		*(51.0)			
	8		*(8.1)		4.4					
15	0	9.5	101	70	0	20.5	93.3			
	5		79.9		5		93.3			
	7		64.6		10		93.3			
	10		34.2		15		93.3			
	12		*(13.1)		16.9		20	93.3		
20	0	10.9	98.2		30		93.4			
	5		95.4		40		92.3			
	10		69.9		45		81.8			
	12		51.5		50		54.5			
	15		*(17.3)		30.3		55	*(58.9)		
25	0	12.2	95.9	80	0	21.9	93.8			
	5		96.6		5		93.8			
	10		89.4		10		93.8			
	15		68.1		15		93.8			
	20		*(21.9)		31.8		20	93.8		
30	0	13.4	94.3		30		93.8			
	5		94.4		40		94.7			
	10		94.4		50		91.5			
	15		82.0		60		52.8			
	20		*(26.0)		55.4		65	*(68.5)		
35	0	14.5	17.9	90	0	23.2	94.4			
	5		93.9		5		94.4			
	10		93.9		10		94.4			
	15		93.9		20		94.4			
	20		91.8		30		94.4			
40	15	15.5	91.8		40		95.6			
	20		74.1		50		94.3			
	25		*(30.0)		47.2		60	84.6		
	0		16.4		93.1		70	39.5		
	5				93.1		75	*(76.9)		
10	93.1	0		94.1						
15	93.1	5		94.1						
20	91.8	10		94.1						
45	25	17.3	72.2	100	20	24.5	94.1			
	30		*(34.4)		42.6		30	94.1		
	0		16.4		92.8		40	94.1		
	5				92.8		50	93.9		
	10				92.8		60	94.9		
15	92.8	70			81.3					
20	93.8	80			*(86.0)					
50	25	17.3	86.9		120		0	26.8	94.4	
	30		*(38.7)				36.7		5	94.4
	0		17.3				92.4		10	94.4
	5			92.4		20	94.4			
	10			92.4		30	94.4			
15	92.4	40		94.4						
20	92.4	60		95.2						
25	92.3	70	94.4							
30	86.3	80	90.8							
35	64.3	90	61.2							
40	*(43.9)	35.0	100	*(102)	22.3					

Injector Performance Table
 Water Suction Capacity

Model 1078-03

Copyright© 2014 REV August 2014

Mazzei Injector Company, LLC
 500 Rooster Drive, Bakersfield, CA 93307-9555 USA

TEL 661.363.6500 • FAX 661.363.7500 • www.mazzei.net

**NUMBERS IN PARENTHESIS indicate the injector outlet pressure when suction stops (Zero Suction Point).*



Operating Pressure kg/cm ²		WATER SUCTION		Operating Pressure kg/cm ²		WATER SUCTION	
Injector Inlet	Injector Outlet	Motive Flow l/min	Water Suction l/hr	Injector Inlet	Injector Outlet	Motive Flow l/min	Water Suction l/hr
0.35	0.00	20.7	384	4.22	0.00	71.8	350
	0.07		175		0.35		350
	0.14		83.9		0.70		350
	0.21		10.3		1.05		350
	0.28		*(0.28)		1.41		350
0.70	0.00	29.3	400	4.92	0.00	77.5	353
	0.14		286		0.35		353
	0.35		158		0.70		353
	0.49		72.6		1.05		353
	0.56		*(0.57)		1.41		353
1.05	0.00	35.9	383	5.62	0.00	82.9	355
	0.35		302		0.35		355
	0.49		244		0.70		355
	0.70		129		1.05		355
	0.84		*(0.92)		1.41		355
1.41	0.00	41.4	371	6.33	0.00	87.9	357
	0.35		361		0.35		357
	0.70		264		0.70		357
	0.84		195		1.05		357
	1.05		*(1.22)		1.41		357
1.76	0.00	46.3	363	7.03	0.00	92.7	356
	0.35		365		0.35		356
	0.70		338		0.70		356
	1.05		258		1.05		356
	1.41		*(1.54)		1.41		356
2.11	0.00	50.8	357	8.44	0.00	101	357
	0.35		357		0.35		357
	0.70		357		0.70		357
	1.05		310		1.05		357
	1.41		209		1.41		357
	1.76		*(1.83)		1.76		357
2.46	0.00	54.8	355	8.44	0.00	101	357
	0.35		355		0.35		357
	0.70		355		0.70		357
	1.05		347		1.05		357
	1.41		280		1.41		357
	1.76		*(2.11)		1.76		357
2.81	0.00	58.6	352	8.44	0.00	101	357
	0.35		352		0.35		357
	0.70		352		0.70		357
	1.05		352		1.05		357
	1.41		347		1.41		357
	1.76		273		1.76		357
3.16	0.00	62.2	351	8.44	0.00	101	357
	0.35		351		0.35		357
	0.70		351		0.70		357
	1.05		351		1.05		357
	1.41		355		1.41		357
	1.76		329		1.76		357
3.52	0.00	65.5	349	8.44	0.00	101	357
	0.35		349		0.35		357
	0.70		349		0.70		357
	1.05		349		1.05		357
	1.41		349		1.41		357
	1.76		349		1.76		357
3.52	0.00	65.5	349	8.44	0.00	101	357
	0.35		349		0.35		357
	0.70		349		0.70		357
	1.05		349		1.05		357
	1.41		349		1.41		357
	1.76		349		1.76		357
3.52	0.00	65.5	349	8.44	0.00	101	357
	0.35		349		0.35		357
	0.70		349		0.70		357
	1.05		349		1.05		357
	1.41		349		1.41		357
	1.76		349		1.76		357
3.52	0.00	65.5	349	8.44	0.00	101	357
	0.35		349		0.35		357
	0.70		349		0.70		357
	1.05		349		1.05		357
	1.41		349		1.41		357
	1.76		349		1.76		357
3.52	0.00	65.5	349	8.44	0.00	101	357
	0.35		349		0.35		357
	0.70		349		0.70		357
	1.05		349		1.05		357
	1.41		349		1.41		357
	1.76		349		1.76		357
3.52	0.00	65.5	349	8.44	0.00	101	357
	0.35		349		0.35		357
	0.70		349		0.70		357
	1.05		349		1.05		357
	1.41		349		1.41		357
	1.76		349		1.76		357
3.52	0.00	65.5	349	8.44	0.00	101	357
	0.35		349		0.35		357
	0.70		349		0.70		357
	1.05		349		1.05		357
	1.41		349		1.41		357
	1.76		349		1.76		357
3.52	0.00	65.5	349	8.44	0.00	101	357
	0.35		349		0.35		357
	0.70		349		0.70		357
	1.05		349		1.05		357
	1.41		349		1.41		357
	1.76		349		1.76		357
3.52	0.00	65.5	349	8.44	0.00	101	357
	0.35		349		0.35		357
	0.70		349		0.70		357
	1.05		349		1.05		357
	1.41		349		1.41		357
	1.76		349		1.76		357
3.52	0.00	65.5	349	8.44	0.00	101	357
	0.35		349		0.35		357
	0.70		349		0.70		357
	1.05		349		1.05		357
	1.41		349		1.41		357
	1.76		349		1.76		357
3.52	0.00	65.5	349	8.44	0.00	101	357
	0.35		349		0.35		357
	0.70		349		0.70		357
	1.05		349		1.05		357
	1.41		349		1.41		357
	1.76		349		1.76		357
3.52	0.00	65.5	349	8.44	0.00	101	357
	0.35		349		0.35		357
	0.70		349		0.70		357
	1.05		349		1.05		357
	1.41		349		1.41		357
	1.76		349		1.76		357
3.52	0.00	65.5	349	8.44	0.00	101	357
	0.35		349		0.35		357
	0.70		349		0.70		357
	1.05		349		1.05		357
	1.41		349		1.41		357
	1.76		349		1.76		357
3.52	0.00	65.5	349	8.44	0.00	101	357
	0.35		349		0.35		357
	0.70		349		0.70		357
	1.05		349		1.05		357
	1.41		349		1.41		357
	1.76		349		1.76		357
3.52	0.00	65.5	349	8.44	0.00	101	357
	0.35		349		0.35		357
	0.70		349		0.70		357
	1.05		349		1.05		357
	1.41		349		1.41		357
	1.76		349		1.76		357
3.52	0.00	65.5	349	8.44	0.00	101	357
	0.35		349		0.35		357
	0.70		349		0.70		357
	1.05		349		1.05		357
	1.41		349		1.41		357
	1.76		349		1.76		357
3.52	0.00	65.5	349	8.44	0.00	101	357
	0.35		349		0.35		357
	0.70		349		0.70		357
	1.05		349		1.05		357
	1.41		349		1.41		357
	1.76		349		1.76		357
3.52	0.00	65.5	349	8.44	0.00	101	357
	0.35		349		0.35		357
	0.70		349		0.70		357
	1.05		349		1.05		357
	1.41		349		1.41		357
	1.76		349		1.76		357
3.52	0.00	65.5	349	8.44	0.00	101	357
	0.35		349		0.35		357
	0.70		349		0.70		357
	1.05		349		1.05		357
	1.41		349		1.41		357
	1.76		349		1.76		357
3.52	0.00	65.5	349	8.44	0.00	101	357
	0.35		349		0.35		357
	0.70		349		0.70		357
	1.05		349		1.05		357
	1.41		349		1.41		357
	1.76		349		1.76		357
3.52	0.00	65.5	349	8.44	0.00	101	357
	0.35		349		0.35		357
	0.70		349		0.70		357
	1.05		349		1.05		357
	1.41		349		1.41		357
	1.76		349		1.76		357
3.52	0.00	65.5	349	8.44	0.00	101	357
	0.35		349		0.35		357
	0.70		349		0.70		357
	1.05		349		1.05		357
	1.41		349		1.41		357
	1.76		349		1.76		357
3.52	0.00	65.5	349	8.44	0.00	101	357
	0.35		349		0.35		357
	0.70		349		0.70		357
	1.05		349		1.05		357
	1.41		349		1.41		357
	1.76		349		1.76		357
3.52	0.00	65.5	349	8.44	0.00	101	357
	0.35		349		0.35		357
	0.70		349		0.70		357
	1.05		349		1.05		357
	1.41		349		1.41		357
	1.76		349		1.76		357
3.52	0.00	65.5	349	8.44	0.00	101	357
	0.35		349		0.35		357
	0.70		349		0.70		357
	1.05		349		1.05		357
	1.41		349		1.41		357
	1.76		349		1.76		357
3.52	0.00	65.5	349	8.44	0.00	101	357
	0.35		349		0.35		357
	0.70		349		0.70		357
	1.05		349		1.05		357
	1.41		349		1.41		357
	1.76		349		1.76		357
3.52	0.00	65.5	349	8.44	0.00	101	357
	0.35		349		0.35		357
	0.70		349		0.70		357
	1.05		349		1.05		357
	1.41		349		1.41		357
	1.76		349		1.76		357
3.52	0.00	65.5	349	8.44	0.00	101	357
	0.35		349		0.35		357
	0.70		349		0.70		357
	1.05		349		1.05		357
	1.41		349		1.41		357
	1.76		349		1.76		357
3.52	0.00	65.5	349	8.44	0.00	101	357
	0.35		349		0.35		357
	0.70		349		0.70		357
	1.05		349		1.05		357
	1.41		349		1.41		357
	1.76		349		1.76		



Operating Pressure PSIG		AIR SUCTION		Operating Pressure PSIG		AIR SUCTION		
Injector INLET	Injector OUTLET	Motive Flow GPM	Air Suction SCFH	Injector INLET	Injector OUTLET	Motive Flow GPM	Air Suction SCFH	
5	0	5.2	24.3	60	0	18.2	91.5	
	1		6.4		5		76.3	
	2		2.7		10		57.5	
	3		1.5		15		34.5	
	4		*(4.0)		20		24.3	
10	0	7.4	40.1		30		14.0	
	2		16.1		35		10.3	
	5		4.1		40		7.3	
	7		1.5		45		*(51.0)	
	8		*(8.1)				4.5	
15	0	9.1	48.6	70	0	19.6	100	
	5		13.1		5		81.7	
	7		7.8		10		67.5	
	10		3.3		15		46.3	
	12		*(13.1)		20		31.8	
20	0	10.5	55.0		30		19.6	
	5		22.1		40		12.4	
	10		8.5		45		8.7	
	12		5.6		50		7.0	
	15		*(17.3)		55		*(58.9)	
25	0	11.7	60.9	80	0	21.0	105	
	5		33.2		5		89.6	
	10		14.3		10		74.8	
	15		7.5		15		57.7	
	20		*(21.9)		20		39.5	
30	0	12.9	70.6		30		24.7	
	5		46.4		40		17.0	
	10		20.5		50		10.1	
	15		11.2		60		6.3	
	20		6.1		65		*(68.5)	
35	0	13.9	74.0	90	0	22.3	4.5	
	5		52.9		5		112	
	10		24.7		10		96.3	
	15		13.6		20		81.7	
	20		9.0		30		48.8	
40	0	14.8	79.8		40		29.4	
	5		57.9		50		20.8	
	10		31.4		60		14.9	
	15		18.9		70		9.1	
	20		13.0		75		*(76.9)	
45	0	15.7	85.9	100	0	23.5	5.8	
	5		62.8		5		116	
	10		38.3		10		103	
	15		23.2		20		87.7	
	20		15.7		30		62.8	
50	0	16.6	87.7		40		37.1	
	5		66.4		50		25.7	
	10		42.3		60		18.0	
	15		25.6		70		12.6	
	20		16.1		80		*(86.0)	
60	0	18.2	91.5	120	0	25.7	8.3	
	5		76.3		5		110	
	10		57.5		10		97.9	
	15		34.5		20		77.7	
	20		24.3		30		46.9	
70	0	19.6	100		40		33.6	
	5		81.7		50		25.0	
	10		67.5		60		19.1	
	15		46.3		70		14.1	
	20		31.8		80		10.2	
80	0	21.0	105	90	6.7			
	5		89.6	100	*(102)			
	10		74.8		5.1			
	15		57.7					
	20		39.5					
90	0	22.3	112					
	5		96.3					
	10		81.7					
	20		48.8					
	30		29.4					
100	0	23.5	116					
	5		103					
	10		87.7					
	20		62.8					
	30		37.1					
110	0	25.7	124					
	5		110					
	10		97.9					
	20		77.7					
	30		46.9					
120	0	25.7	124					
	5		110					
	10		97.9					
	20		77.7					
	30		46.9					
130	0	25.7	124					
	5		110					
	10		97.9					
	20		77.7					
	30		46.9					
140	0	25.7	124					
	5		110					
	10		97.9					
	20		77.7					
	30		46.9					
150	0	25.7	124					
	5		110					
	10		97.9					
	20		77.7					
	30		46.9					
160	0	25.7	124					
	5		110					
	10		97.9					
	20		77.7					
	30		46.9					
170	0	25.7	124					
	5		110					
	10		97.9					
	20		77.7					
	30		46.9					
180	0	25.7	124					
	5		110					
	10		97.9					
	20		77.7					
	30		46.9					
190	0	25.7	124					
	5		110					
	10		97.9					
	20		77.7					
	30		46.9					
200	0	25.7	124					
	5		110					
	10		97.9					
	20		77.7					
	30		46.9					
210	0	25.7	124					
	5		110					
	10		97.9					
	20		77.7					
	30		46.9					
220	0	25.7	124					
	5		110					
	10		97.9					
	20		77.7					
	30		46.9					
230	0	25.7	124					
	5		110					
	10		97.9					
	20		77.7					
	30		46.9					
240	0	25.7	124					
	5		110					
	10		97.9					
	20		77.7					
	30		46.9					
250	0	25.7	124					
	5		110					
	10		97.9					
	20		77.7					
	30		46.9					
260	0	25.7	124					
	5		110					
	10		97.9					
	20		77.7					
	30		46.9					
270	0	25.7	124					
	5		110					
	10		97.9					
	20		77.7					
	30		46.9					
280	0	25.7	124					
	5		110					
	10		97.9					
	20		77.7					
	30		46.9					
290	0	25.7	124					
	5		110					
	10		97.9					
	20		77.7					
	30		46.9					
300	0	25.7	124					
	5		110					
	10		97.9					
	20		77.7					
	30		46.9					
310	0	25.7	124					
	5		110					
	10		97.9					
	20		77.7					
	30		46.9					
320	0	25.7	124					
	5		110					
	10		97.9					
	20		77.7					
	30		46.9					
330	0	25.7	124					
	5		110					
	10		97.9					
	20		77.7					
	30		46.9					
340	0	25.7	124					
	5		110					
	10		97.9					
	20		77.7					
	30		46.9					
350	0	25.7	124					
	5		110					
	10		97.9					
	20		77.7					
	30		46.9					
360	0	25.7	124					
	5		110					
	10		97.9					
	20		77.7					
	30		46.9					
370	0	25.7	124					
	5		110					
	10		97.9					
	20		77.7					
	30		46.9					
380	0	25.7	124					
	5		110					
	10		97.9					
	20		77.7					
	30		46.9					
390	0	25.7	124					
	5		110					
	10		97.9					
	20		77.7					
	30		46.9					
400	0	25.7	124					
	5		110					
	10		97.9					
	20		77.7					
	30		46.9					
410	0	25.7	124					
	5		110					
	10		97.9					
	20		77.7					
	30		46.9					
420	0	25.7	124					
	5		110					
	10		97.9					
	20		77.7					
	30		46.9					
430	0	25.7	124					
	5		110					
	10		97.9					
	20		77.7					
	30		46.9					
440	0	25.7	124					
	5		110					
	10		97.9					
	20		77.7					
	30		46.9					
450	0	25.7	124					
	5		110					
	10		97.9					
	20		77.7					
	30		46.9					
460	0	25.7	124					
	5		110					
	10		97.9					
	20		77.7					
	30		46.9					
470	0	25.7	124					
	5		110					
	10		97.9					
	20		77.7					
	30		46.9					
480	0	25.7	124					
	5		110					
	10		97.9					
	20		77.7					
	30		46.9					
490	0	25.7	124					
	5		110					
	10		97.9					
	20		77.7					
	30		46.9					
500	0	25.7	124					
	5		110					
	10		97.9					
	20		77.7					
	30		46.9					

Air Suction Capacity
 Injector Performance Table
 Model 1078-03

Copyright© 2014 REV August 2014

M



Operating Pressure kg/cm ²		AIR SUCTION		Operating Pressure kg/cm ²		AIR SUCTION	
Injector INLET	Injector OUTLET	Motive Flow l/min	Air Suction l/min	Injector INLET	Injector OUTLET	Motive Flow l/min	Air Suction l/min
0.35	0.00	19.9	11.4	4.22	0.00	68.8	43.1
	0.07		3.0		0.35		36.0
	0.14		1.2		0.70		27.1
	0.21		0.70		1.05		16.3
	0.28		<i>*(0.28)</i>		1.41		11.5
0.70	0.00	28.1	18.9		2.11		6.6
	0.14		7.6		2.46		4.8
	0.35		1.9		2.81		3.4
	0.49		0.73		3.16		<i>*(3.59)</i>
	0.56		<i>*(0.57)</i>				2.1
1.05	0.00	34.4	22.9	4.92	0.00	74.3	47.4
	0.35		6.1		0.35		38.5
	0.49		3.7		0.70		31.8
	0.70		1.5		1.05		21.8
	0.84		<i>*(0.92)</i>		1.41		15.0
1.41	0.00	39.7	25.9		2.11		9.2
	0.35		10.4		2.81		5.8
	0.70		4.0		3.16		4.1
	0.84		2.6		3.52		3.3
	1.05		<i>*(1.22)</i>		3.87		<i>*(4.14)</i>
1.76	0.00	44.4	28.7	5.62	0.00	79.5	49.8
	0.35		15.7		0.35		42.2
	0.70		6.7		0.70		35.3
	1.05		3.5		1.05		27.2
	1.41		<i>*(1.54)</i>		1.41		18.6
2.11	0.00	48.7	33.3		2.11		11.6
	0.35		21.9		2.81		8.0
	0.70		9.6		3.52		4.8
	1.05		5.3		4.22		2.9
	1.41		2.8		4.57		<i>*(4.82)</i>
2.46	0.00	52.6	34.9	6.33	0.00	84.3	53.2
	0.35		24.9		0.35		45.4
	0.70		11.6		0.70		38.5
	1.05		6.4		1.41		23.0
	1.41		4.2		2.11		13.8
2.81	0.00	56.2	37.7		2.81		9.8
	0.35		27.3		3.52		7.0
	0.70		14.8		4.22		4.3
	1.05		8.9		4.92		2.7
	1.41		6.1		5.27		<i>*(5.41)</i>
3.16	0.00	59.6	40.5	7.03	0.00	88.8	55.0
	0.35		29.6		0.35		48.6
	0.70		18.1		0.70		41.4
	1.05		10.9		1.41		29.6
	1.41		7.4		2.11		17.5
3.52	0.00	62.8	41.4		2.81		12.1
	0.35		31.3		3.52		8.5
	0.70		19.9		4.22		5.9
	1.05		12.1		4.92		3.9
	1.41		7.6		5.62		<i>*(6.05)</i>
3.52	0.00	62.8	41.4	8.44	0.00	97.3	58.8
	0.35		31.3		0.35		52.3
	0.70		19.9		0.70		46.2
	1.05		12.1		1.41		36.7
	1.41		7.6		2.11		22.1
1.76	6.0	2.81	15.8				
2.11	4.1	3.52	11.8				
2.46	2.5	4.22	9.0				
2.81	<i>*(3.09)</i>	4.92	6.6				
		5.62	4.8				
		6.33	3.1				
		7.03	2.4				
			<i>*(7.17)</i>				