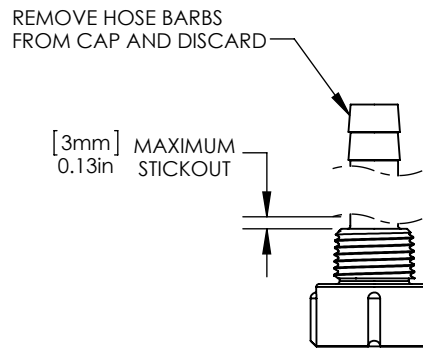
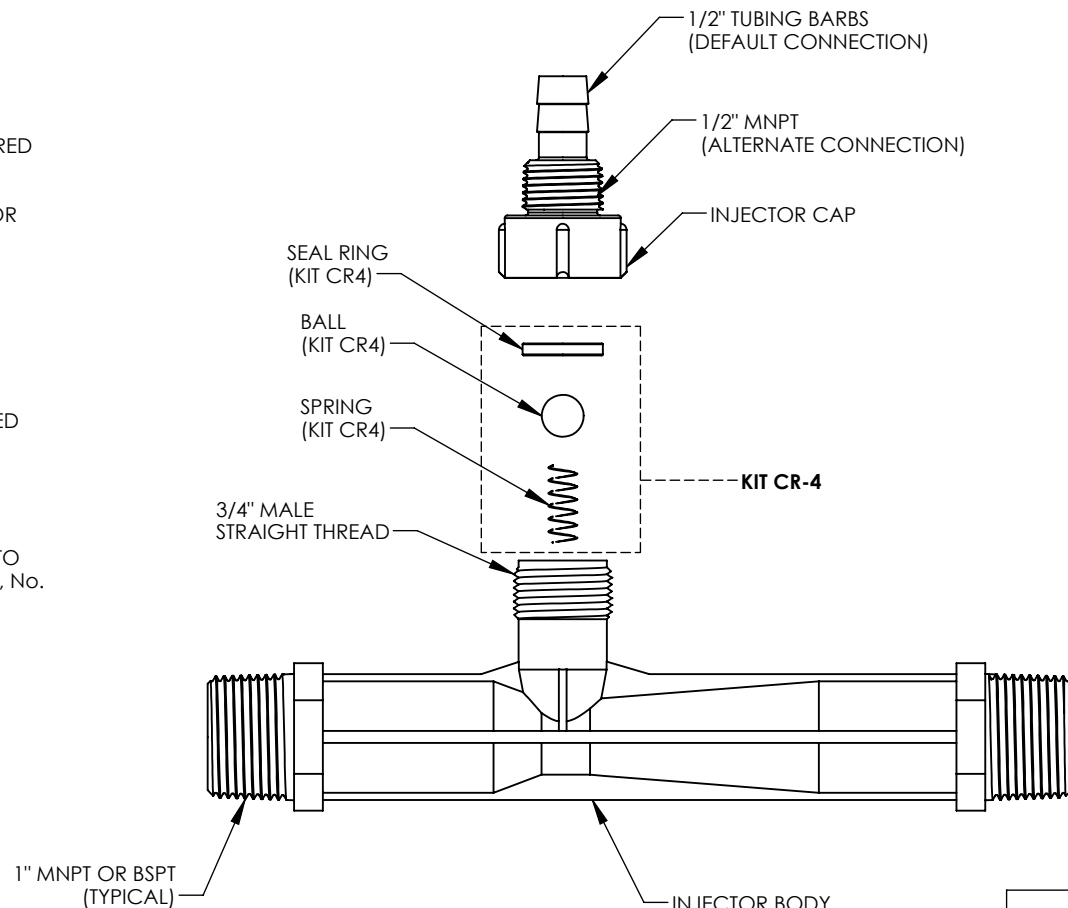


NOTES:

1. MADE IN THE U.S.A.
2. U.S. PATENT No. 5,863,128
3. U.S. No. 3,852,076 AND INTERNATIONAL REGISTERED TRADEMARKS
4. MATERIAL: GLASS FILLED POLYPROPYLENE (PP) OR POLYVINYLIDENE FLUORIDE (PVDF) OR NATURAL POLYVINYLIDENE FLUORIDE (N-PVDF)
5. INLET/OUTLET CONNECTION:
1" MNPT OR BSPT
6. SUCTION PORT CONNECTION:

DEFAULT - 1/2" I.D. TUBING BARB WITH INTEGRATED CHECK VALVE

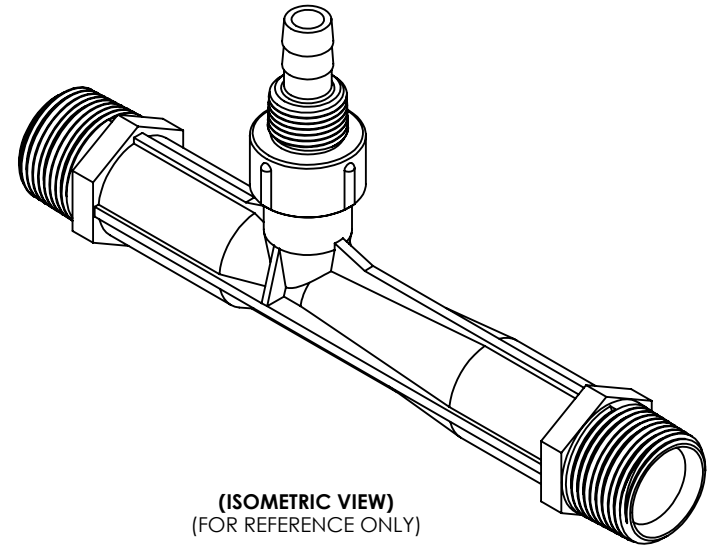
ALTERNATE - 1/2" MNPT - SEE ALTERNATE CAP MODIFICATION DETAIL
7. FOR INSTALLATION RECOMMENDATIONS REFER TO MAZZEI TECHNICAL BULLETINS No. 4, No. 5, No. 6, No. 10 AND No. 11, WHICH CAN BE FOUND AT WWW.MAZZEI.NET.
8. MAZZEI INJECTOR CO., LLC.
500 ROOSTER DR.
BAKERSFIELD, CA 93307
TEL: 661.363.6500
WEB: WWW.MAZZEI.NET



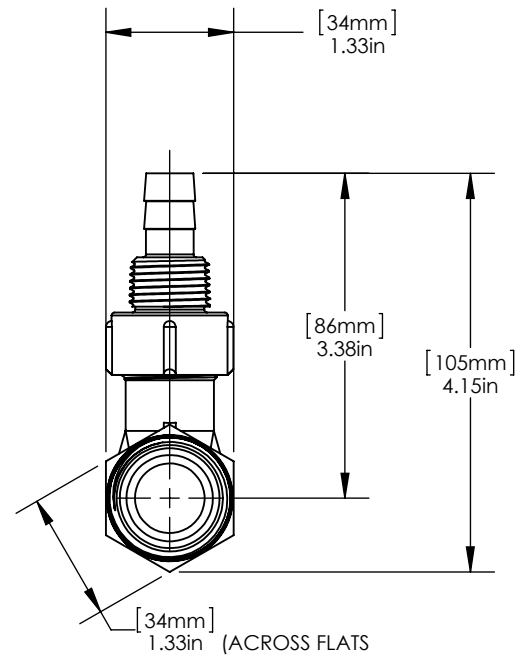
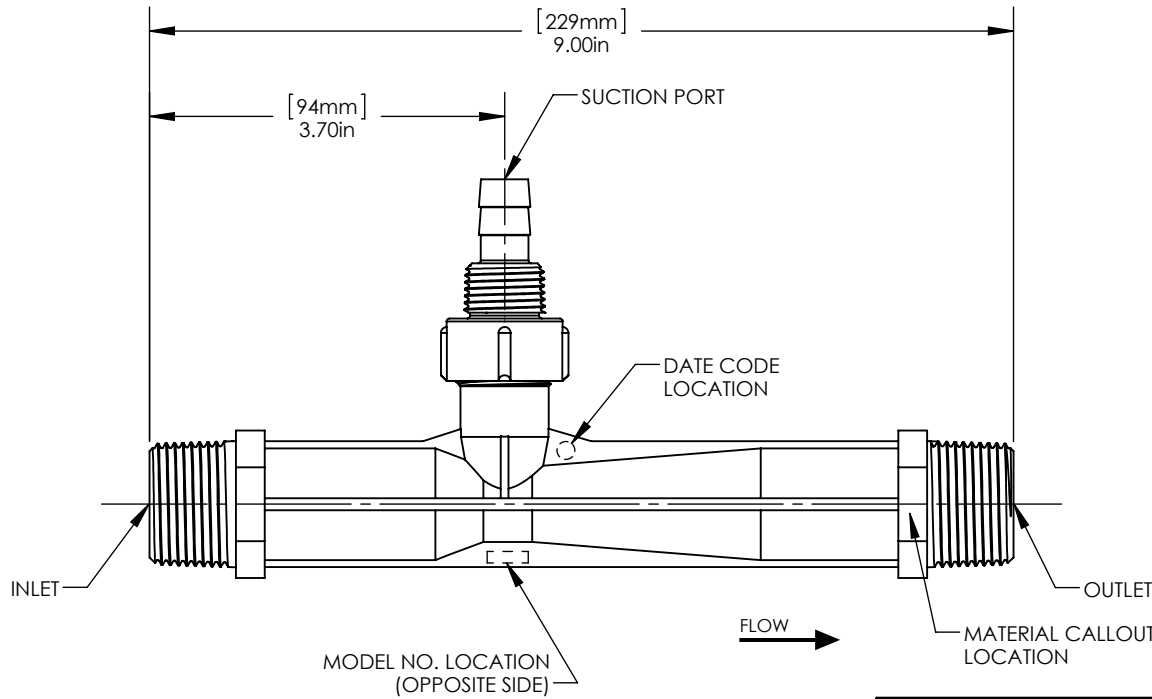
INJECTOR BODY
MAZZEI PART NO.'S
0878 3 PP
0878 3 PVDF
0878 3 N-PVDF
ISO 0878 3 GRPP
ISO 0878 3 PVDF


KIT CR-4	
TITLE	MATERIAL
BALL	TEFLON @ (PTFE)
SEAL RING	KEL-F @ (PCTFE)
SPRING	HASTELLOY C-22

UNLESS OTHERWISE SPECIFIED DIMENSIONS ARE IN INCHES			TITLE: 1" INJECTOR; MODEL 0878 3		
DRAWN: T. JOHNS	DATE: 7/19/2013		DRAWING NO.: 0878 3		
APPROVED: P. BANKOWSKI	SIZE: A	WEIGHT: N/A	SCALE: 1:2	REV.: B	SHEET: 1 OF 2



(ISOMETRIC VIEW)
(FOR REFERENCE ONLY)



UNLESS OTHERWISE SPECIFIED DIMENSIONS ARE IN INCHES			TITLE: 1" INJECTOR; MODEL 0878 3		
DRAWN: T. JOHNS	DATE: 7/19/2013		DRAWING NO.: 0878 3		
APPROVED: P. BANKOWSKI	SIZE: A	WEIGHT: N/A	SCALE: 1:2	REV.: B	SHEET: 2 OF 2



Injector Performance Table
Water Suction Capacity

Operating Pressure PSIG		WATER SUCTION		Operating Pressure PSIG		WATER SUCTION		
Injector INLET	Injector OUTLET	Motive Flow GPM	Water Suction GPH	Injector INLET	Injector OUTLET	Motive Flow GPM	Water Suction GPH	
5	0	3.6	62.8	60	0	12.6	72.4	
	1		36.1		5		72.4	
	2		23.8		10		72.4	
	3		7.3		15		72.4	
	4		*(4.1)		1.6		20	72.4
10	0	5.2	93.7		30		71.2	
	2		61.9		35		63.3	
	5		36.4		40		41.4	
	7		15.8		45		*(51.2)	16.3
	8		*(8.7)		3.7		70	0
15	0	6.3	87.3	5	73.6			
	5		62.1	10	73.6			
	7		45.4	15	73.6			
	10		23.6	20	73.6			
20	12	*(12.5)	7.2	30	73.6			
	0	7.3	82.8	40	67.5			
	5		80.4	45	46.9			
	10		48.6	50	30.7			
	12		33.6	55	*(58.3)	12.9		
15	*(16.5)		21.0	80	0	14.6	74.2	
25	0	8.2	82.3		5		74.2	
	5		81.3		10		74.2	
	10		73.2		15		74.2	
	15		45.3		20		74.2	
	20		*(21.0)		20.1		30	74.2
30	0	8.9	79.9		40		73.7	
	5		79.1		50		56.9	
	10		76.9		60		25.8	
	15		65.3		65		*(67.5)	7.9
	20		35.3	90	0	15.5	74.2	
25	*(26.1)	9.0	5		74.2			
35	0	9.7	79.3		10		74.2	
	5		79.3		20		74.2	
	10		77.5		30		74.2	
	15		74.5		40		74.2	
	20		52.3		50		70.0	
40	25	*(30.1)	30.2		60		47.8	
	0	10.3	77.4		70		18.1	
	5		77.4		75		*(75.6)	0.84
	10		77.4	100	0	16.3	76.3	
	15		77.4		5		76.3	
20	73.6		10		76.3			
25	50.6	20	76.3					
30	*(34.4)	28.2	30		76.3			
45	0	11.0	79.6		40		76.3	
	5		79.6		50		74.5	
	10		79.6		60		67.7	
	15		79.6		70		44.6	
	20		78.8		80		*(84.5)	13.0
	25		67.0	120	0	17.9	75.3	
	30		44.1		5		75.3	
35	*(38.4)	22.0	10		75.3			
50	0	11.5	74.7		20		75.3	
	5		74.7		30		75.3	
	10		74.7		40		75.3	
	15		74.7		50		75.3	
	20		74.7		60		74.9	
	25		68.3		70		70.2	
	30		56.1		80		61.2	
	35		36.6	90	34.5			
40	*(42.3)	9.5	100	*(101)	8.5			

Model 878-03

Copyright© 2014 REV.09.2014

Mazzei Injector Company, LLC
 500 Rooster Drive, Bakersfield, CA 93307-9555 USA

TEL 661.363.6500 • FAX 661.363.7500 • www.mazzei.net

**NUMBERS IN PARENTHESIS indicate the injector outlet pressure when suction stops (Zero Suction Point).*



Operating Pressure kg/cm ²		WATER SUCTION		Operating Pressure kg/cm ²		WATER SUCTION	
Injector Inlet	Injector Outlet	Motive Flow l/min	Water Suction l/hr	Injector Inlet	Injector Outlet	Motive Flow l/min	Water Suction l/hr
0.35	0.00	13.8	237	4.22	0.00	47.9	274
	0.07		136		0.35		274
	0.14		90.2		0.70		274
	0.21		27.7		1.05		274
	0.28		*(0.28)		1.41		274
0.70	0.00	19.5	354		2.11		269
	0.14		234		2.46		239
	0.35		138		2.81		156
	0.49		59.9		3.16		*(3.60) 61.8
	0.56		*(0.61)		14.0		
1.05	0.00	23.9	330	4.92	0.00	51.7	278
	0.35		235		0.35		278
	0.49		172		0.70		278
	0.70		89.4		1.05		278
	0.84		*(0.88)		1.41		278
1.41	0.00	27.6	313		2.11		278
	0.35		304		2.81		255
	0.70		184		3.16		177
	0.84		127		3.52		116
	1.05		*(1.16)		3.87		*(4.10) 48.8
1.76	0.00	30.9	311	5.62	0.00	55.3	280
	0.35		307		0.35		280
	0.70		277		0.70		280
	1.05		171		1.05		280
	1.41		*(1.48)		1.41		280
2.11	0.00	33.9	302		2.11		280
	0.35		299		2.81		278
	0.70		291		3.52		215
	1.05		247		4.22		97.7
	1.41		133		4.57		*(4.75) 30.0
	1.76		*(1.84)	34.3			
2.46	0.00	36.6	300	6.33	0.00	58.7	281
	0.35		300		0.35		281
	0.70		293		0.70		281
	1.05		282		1.41		281
	1.41		198		2.11		281
	1.76		*(2.12)		114		2.81
2.81	0.00	39.1	293		3.52		265
	0.35		293		4.22		181
	0.70		293		4.92		68.7
	1.05		293		5.27		*(5.32) 3.1
	1.41		278				
	1.76		191				
3.16	2.11	*(2.42)	106	7.03	0.00	61.8	289
	2.46		301		0.35		289
			301		0.70		289
			301		1.41		289
			301		2.11		289
			298		2.81		289
			253		3.52		281
			167		4.22		256
		83.3	4.92		169		
3.52	0.00	43.7	283		5.62		*(5.94) 49.2
	0.35		283	0.00	285		
	0.70		283	0.35	285		
	1.05		283	0.70	285		
	1.41		283	1.41	285		
	1.76		258	2.11	285		
	2.11		212	2.81	285		
	2.46		138	3.52	285		
	2.81		*(2.97)	36.2	4.22	283	
			4.92	266			
			5.62	231			
			6.33	130			
			7.03	*(7.14) 32.5			



Injector Performance Table
Air Suction Capacity

Operating Pressure PSIG		AIR SUCTION		Operating Pressure PSIG		AIR SUCTION	
Injector INLET	Injector OUTLET	Motive Flow GPM	Air Suction SCFH	Injector INLET	Injector OUTLET	Motive Flow GPM	Air Suction SCFH
5	0	3.5	14.9	60	0	12.1	71.3
	1		5.4		5		54.9
	2		1.5		10		33.4
	3		0.41		15		20.2
	4		*(4.0)		20		14.6
10	0	4.9	33.9		30		7.8
	2		8.5		35		5.7
	5		2.8		40		4.3
	7		0.88		45		*(51.2)
	8		*(8.7)		0.61		2.4
15	0	6.1	36.0	70	0	13.1	77.0
	5		7.4		5		60.1
	7		3.8		10		40.7
	10		0.74		15		25.5
	12		*(12.5)		20		19.1
20	0	7.0	44.2		30		11.2
	5		12.5		40		6.7
	10		4.3		45		5.0
	12		2.7		50		4.1
	15		*(16.5)		1.7		*(58.3)
25	0	7.8	44.7	80	0	14.0	81.2
	5		17.4		5		65.0
	10		6.7		10		49.9
	15		3.4		15		31.0
	20		*(21.0)		1.2		20
30	0	8.6	51.0		30		14.1
	5		26.1		40		9.0
	10		11.3		50		5.8
	15		6.4		60		3.8
	20		*(26.1)		2.9		65
35	0	9.3	51.9	90	0	14.8	85.3
	5		34.3		5		69.6
	10		14.0		10		56.4
	15		8.6		20		26.9
	20		*(30.1)		4.7		30
40	0	9.9	55.8		40		12.1
	5		40.6		50		7.9
	10		17.6		60		5.1
	15		11.6		70		3.4
	25		*(34.4)		4.8		75
45	0	10.5	66.9	100	0	15.6	88.6
	5		42.1		5		72.4
	10		20.7		10		62.8
	15		12.8		20		30.9
	20		8.9		30		20.3
50	0	11.1	64.9		40		14.5
	5		48.7		50		10.0
	10		23.8		60		7.2
	15		16.1		70		5.1
	25		*(38.4)		2.1		80
60	0	12.1	64.9	120	0	17.1	98.1
	5		48.7		5		81.0
	10		23.8		10		70.8
	15		16.1		20		41.9
	20		10.3		30		26.1
	25		8.3		40		19.2
	30		4.6		50		14.5
	35		4.3		60		10.8
40	*(42.3)	1.1	70		7.8		
					80		5.7
				90	4.6		
				100	*(101)	2.5	

Copyright© 2014 REV.09.2014

Mazzei Injector Company, LLC
 500 Rooster Drive, Bakersfield, CA 93307-9555 USA

TEL 661.363.6500 • FAX 661.363.7500 • www.mazzei.net

**NUMBERS IN PARENTHESIS indicate the injector outlet pressure when suction stops (Zero Suction Point).*

Model 878-03



Injector Performance Table
Air Suction Capacity - METRIC

Operating Pressure kg/cm ²		AIR SUCTION		Operating Pressure kg/cm ²		AIR SUCTION	
Injector INLET	Injector OUTLET	Motive Flow l/min	Air Suction l/min	Injector INLET	Injector OUTLET	Motive Flow l/min	Air Suction l/min
0.35	0.00	13.2	7.0	4.22	0.00	45.9	33.6
	0.07		2.5		0.35		25.9
	0.14		0.73		0.70		15.8
	0.21		0.19		1.05		9.5
	0.28		*(0.28)		1.41		6.9
0.70	0.00	18.7	16.0		2.11		3.6
	0.14		4.0		2.46		2.7
	0.35		1.3		2.81		2.0
	0.49		0.42		3.16		1.1
	0.56		*(0.61)		3.60		*(3.60)
1.05	0.00	22.9	17.0	4.92	0.00	49.6	36.3
	0.35		3.5		0.35		28.3
	0.49		1.8		0.70		19.2
	0.70		0.35		1.05		12.0
	0.84		*(0.88)		1.41		9.0
1.41	0.00	26.5	20.9		2.11		5.3
	0.35		5.9		2.81		3.2
	0.70		2.0		3.16		2.3
	0.84		1.2		3.52		1.9
	1.05		*(1.16)		3.87		*(4.10)
1.76	0.00	29.6	21.1	5.62	0.00	53.0	38.3
	0.35		8.2		0.35		30.6
	0.70		3.2		0.70		23.5
	1.05		1.6		1.05		14.6
	1.41		*(1.48)		1.41		10.9
2.11	0.00	32.5	24.0		2.11		6.6
	0.35		12.3		2.81		4.2
	0.70		5.3		3.52		2.7
	1.05		3.0		4.22		1.8
	1.41		*(1.84)		4.57		*(4.75)
2.46	0.00	35.1	24.5	6.33	0.00	56.2	40.2
	0.35		16.2		0.35		32.8
	0.70		6.6		0.70		26.6
	1.05		4.0		1.41		12.7
	1.41		2.2		2.11		8.1
2.81	0.00	37.5	26.3		2.81		5.7
	0.35		19.1		3.52		3.7
	0.70		8.3		4.22		2.4
	1.05		5.5		4.92		1.6
	1.41		3.1		5.27		*(5.32)
3.16	0.00	39.7	31.5	7.03	0.00	59.3	41.85
	0.35		19.9		0.35		34.1
	0.70		9.8		0.70		29.6
	1.05		6.0		1.41		14.6
	1.41		4.2		2.11		9.5
3.52	0.00	41.9	30.6		2.81		6.8
	0.35		23.0		3.52		4.7
	0.70		11.2		4.22		3.4
	1.05		7.6		4.92		2.4
	1.41		4.9		5.62		*(5.94)
3.52	0.00	41.9	30.6	8.44	0.00	64.9	46.3
	0.35		23.0		0.35		38.2
	0.70		11.2		0.70		33.4
	1.05		7.6		1.41		19.7
	1.41		4.9		2.11		12.3
3.52	0.00	41.9	30.6		2.81		9.0
	0.35		23.0		3.52		6.8
	0.70		11.2		4.22		5.1
	1.05		7.6		4.92		3.7
	1.41		4.9		5.62		2.7
3.52	0.00	41.9	30.6	6.33	2.1		
	0.35		23.0	7.03	*(7.14)		
	0.70		11.2				
	1.05		7.6				
	1.41		4.9				

Copyright© 2014 REV.09.2014

Mazzei Injector Company, LLC
 500 Rooster Drive, Bakersfield, CA 93307-9555 USA

TEL 661.363.6500 • FAX 661.363.7500 • www.mazzei.net

**NUMBERS IN PARENTHESIS indicate the injector outlet pressure when suction stops (Zero Suction Point).*

Model 878-03