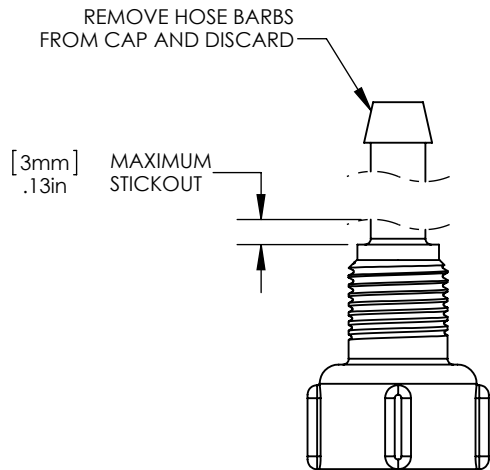
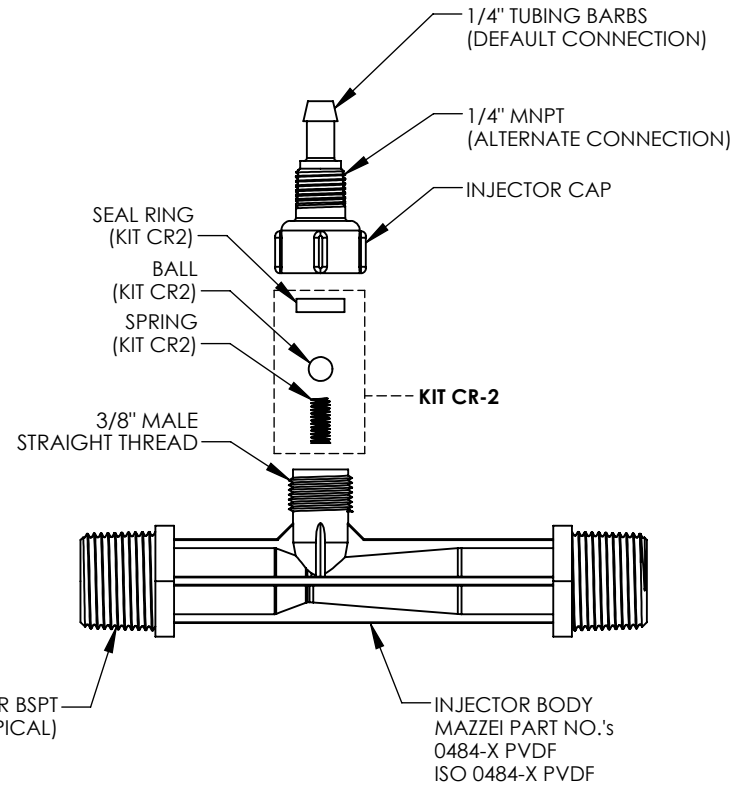


NOTES:

1. MADE IN THE U.S.A.
2. U.S. PATENT No. 5,863,128
3. U.S. No. 3,852,076 AND INTERNATIONAL REGISTERED TRADEMARKS
4. MATERIAL: POLYVINYLIDENE FLUORIDE (PVDF)
5. INLET/OUTLET CONNECTION:
3/4" MNPT OR BSPT
6. SUCTION PORT CONNECTION:

DEFAULT - 1/4" I.D. TUBING BARB WITH INTEGRATED CHECK VALVE

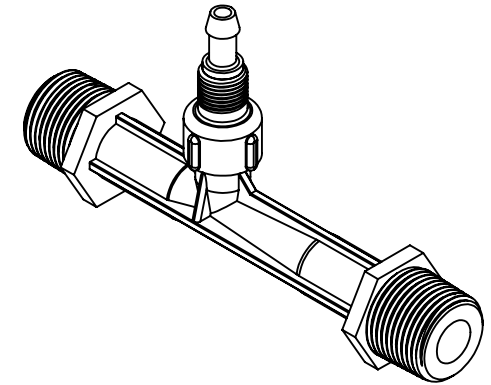
ALTERNATE - 1/4" MNPT - SEE ALTERNATE CAP MODIFICATION DETAIL
7. FOR INSTALLATION RECOMMENDATIONS REFER TO MAZZEI TECHNICAL BULLETINS No. 4, No. 5, No. 6, No. 10 AND No. 11, WHICH CAN BE FOUND AT WWW.MAZZEI.NET.
8. MAZZEI INJECTOR CO., LLC.
500 ROOSTER DR.
BAKERSFIELD, CA 93307
TEL: 661.363.6500
WEB: WWW.MAZZEI.NET



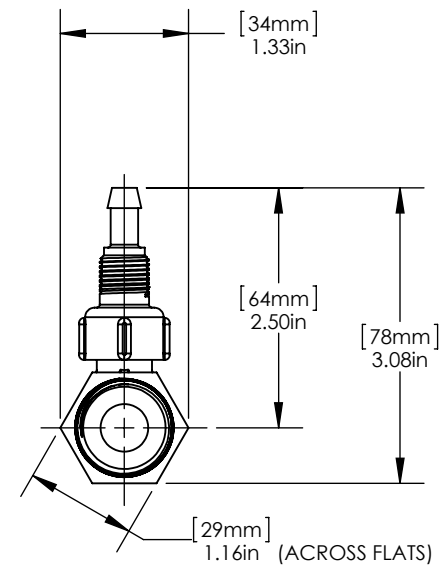
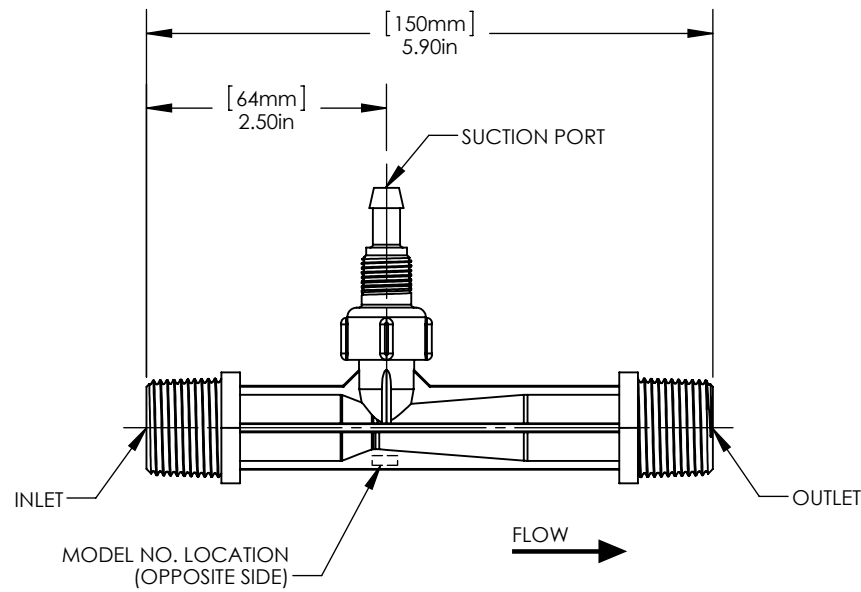
"CAP MODIFICATION DETAIL"
(ALTERNATE)

KIT CR-2	
TITLE	MATERIAL
BALL	TEFLON @ (PTFE)
SEAL RING	KEL-F @ (PCTFE)
SPRING	HASTELLOY C-22

UNLESS OTHERWISE SPECIFIED DIMENSIONS ARE IN INCHES			TITLE: 3/4" INJECTOR; MODEL 0484-X		
DRAWN:	G. NOVINS		DRAWING NO.: 0484-X		
DATE:	7/17/2014	SIZE:	WEIGHT:	SCALE:	REV.:
APPROVED:	T. JOHNS	A	N/A	1:2	A
				SHEET:	1 OF 2



(ISOMETRIC VIEW)
(FOR REFERENCE ONLY)



UNLESS OTHERWISE SPECIFIED DIMENSIONS ARE IN INCHES			TITLE: 3/4" INJECTOR; MODEL 0484-X		
DRAWN: G. NOVINS	DATE: 7/17/2014		DRAWING NO.: 0484-X		
APPROVED: T. JOHNS	SIZE: A	WEIGHT: N/A	SCALE: 1:2	REV.: A	SHEET: 2 OF 2



Injector Performance Table
Water Suction Capacity

Operating Pressure PSIG		WATER SUCTION		Operating Pressure PSIG		WATER SUCTION				
Injector INLET	Injector OUTLET	Motive Flow GPM	Water Suction GPH	Injector INLET	Injector OUTLET	Motive Flow GPM	Water Suction GPH			
5	0	1.2	23.5	60	0	4.1	42.4			
	1		16.6		5		42.2			
	2		11.9		10		38.3			
	3		7.3		15		38.0			
	4		*(3.5)		20		37.5			
10	0	1.7	29.7		30		23.1			
	2		23.0		35					
	5		11.8		40					
	7		3.7		45		*(34.6)			
	8		*(7.5)							
15	0	2.1	38.6	70	0	4.5	42.3			
	5		20.9		5		42.5			
	7		15.6		10		39.5			
	10		*(8.7)		15		37.2			
	12				20		35.6			
20	0	2.4	39.5		30		31.3			
	5		27.6		40		16.3			
	10		13.3		45					
	12		8.4		50					
	15		*(13.2)		55		*(40.7)			
25	0	2.7	39.5	80	0	4.8	42.3			
	5		32.1		5		41.9			
	10		22.0		10		41.8			
	15		9.9		15		40.7			
	20		*(16.5)		20		40.7			
30	0	2.9	39.7		30		39.7			
	5		38.1		40		26.9			
	10		28.8		50		6.8			
	15		17.0		60					
	20		*(17.2)		65		*(51.9)			
35	0	3.1	40.3	90	0	5.1	42.2			
	5		39.3		5		41.9			
	10		33.8		10		40.7			
	15		24.2		20		40.7			
	20		14.7		30		39.4			
40	0	3.4	40.8		40		33.4			
	5		38.6		50		26.3			
	10		38.5		60					
	15		29.9		70					
	20		20.6		75		*(54.3)			
45	0	3.6	41.4	100	0	5.3	42.4			
	5		39.0		5		41.9			
	10		37.9		10		40.7			
	15		34.9		20		39.6			
	20		26.9		30		40.7			
50	25	3.8	18.2		40		34.9			
	30				50		27.0			
	35		*(25.4)		60					
	0		3.8		41.6		120	0	5.8	45.8
	5				40.4			5		43.8
10	39.1	10		43.2						
15	37.3	20		41.9						
20	29.4	30		40.1						
25	20.2	40	36.8							
30		50	32.0							
35		60	24.8							
40	*(29.0)	70	20.3							
		80								
		90								
		100	*(71.2)							

Copyright© 2014 REV 2014

Mazzei Injector Company, LLC
 500 Rooster Drive, Bakersfield, CA 93307-9555 USA

TEL 661.363.6500 • FAX 661.363.7500 • www.mazzei.net

**NUMBERS IN PARENTHESIS indicate the injector outlet pressure when suction stops (Zero Suction Point).*

Model 484X



Injector Performance Table
Water Suction Capacity - METRIC

Operating Pressure kg/cm ²		WATER SUCTION		Operating Pressure kg/cm ²		WATER SUCTION	
Injector Inlet	Injector Outlet	Motive Flow l/min	Water Suction l/hr	Injector Inlet	Injector Outlet	Motive Flow l/min	Water Suction l/hr
0.35	0.00	4.5	89.0	4.22	0.00	15.6	160
	0.07		63.2		0.35		160
	0.14		45.2		0.70		144
	0.21		27.8		1.05		144
	0.28		<i>*(0.25)</i>		1.41		142
0.70	0.00	6.4	112		2.11		87.5
	0.14		87.3		2.46		
	0.35		44.9		2.81		
	0.49		14.2		3.16		<i>*(2.43)</i>
	0.56		<i>*(0.53)</i>				
1.05	0.00	7.8	146	4.92	0.00	16.9	160
	0.35		79.4		0.35		161
	0.49		59.2		0.70		149
	0.70				1.05		141
	0.84		<i>*(0.61)</i>		1.41		134
1.41	0.00	9.0	149		2.11		118
	0.35		104		2.81		61.8
	0.70		50.6		3.16		
	0.84		31.9		3.52		
	1.05		<i>*(0.93)</i>		3.87		<i>*(2.86)</i>
1.76	0.00	10.1	149	5.62	0.00	18.0	160
	0.35		121		0.35		158
	0.70		83.4		0.70		158
	1.05		37.5		1.05		154
	1.41		<i>*(1.16)</i>		1.41		154
2.11	0.00	11.1	150		2.11		150
	0.35		144		2.81		102
	0.70		109		3.52		25.8
	1.05		64.3		4.22		
	1.41		<i>*(1.20)</i>		4.57		<i>*(3.65)</i>
2.46	0.00	11.9	152	6.33	0.00	19.1	159
	0.35		148		0.35		158
	0.70		128		0.70		154
	1.05		91.8		1.41		154
	1.41		55.9		2.11		149
2.81	0.00	12.8	154		2.81		126
	0.35		146		3.52		99.5
	0.70		145		4.22		
	1.05		113		4.92		
	1.41		78.3		5.27		<i>*(3.81)</i>
3.16	0.00	13.5	156	7.03	0.00	20.2	160
	0.35		147		0.35		158
	0.70		143		0.70		154
	1.05		132		1.41		150
	1.41		101		2.11		154
3.52	0.00	14.3	157		2.81		132
	0.35		153		3.52		102
	0.70		148		4.22		
	1.05		141		4.92		
	1.41		111		5.62		<i>*(4.19)</i>
3.52	0.00	14.3	157	8.44	0.00	22.1	173
	0.35		153		0.35		166
	0.70		148		0.70		163
	1.05		141		1.41		158
	1.41		111		2.11		152
3.52	0.00	14.3	157		2.81		139
	0.35		153		3.52		121
	0.70		148		4.22		93.9
	1.05		141		4.92		77.1
	1.41		111		5.62		
3.52	0.00	14.3	157	6.33			
	0.35		153	7.03	<i>*(5.00)</i>		
	0.70		148				
	1.05		141				
	1.41		111				

Model 484X

Copyright© 2014 REV 2014

Mazzei Injector Company, LLC
 500 Rooster Drive, Bakersfield, CA 93307-9555 USA

TEL 661.363.6500 • FAX 661.363.7500 • www.mazzei.net

**NUMBERS IN PARENTHESIS indicate the injector outlet pressure when suction stops (Zero Suction Point).*



Injector Performance Table
Air Suction Capacity

Operating Pressure PSIG		AIR SUCTION		Operating Pressure PSIG		AIR SUCTION	
Injector INLET	Injector OUTLET	Motive Flow GPM	Air Suction SCFH	Injector INLET	Injector OUTLET	Motive Flow GPM	Air Suction SCFH
5	0	1.1	7.8	60	0	4.0	36.6
	1		2.7		5		30.3
	2		0.67		10		16.3
	3		0.48		15		10.1
	4		*(3.5)		20		5.2
10	0	1.6	13.1		30		2.7
	2		3.9		35		
	5		1.1		40		
	7		0.38		45		*(34.6)
	8		*(7.5)				
15	0	2.0	17.7	70	0	4.3	39.6
	5		2.8		5		31.6
	7		1.5		10		20.9
	10				15		15.1
	12		*(8.7)		20		7.5
20	0	2.3	21.4		30		3.7
	5		5.3		40		2.4
	10		1.4		45		
	12		0.99		50		
	15		*(13.2)		55		*(40.7)
25	0	2.6	24.8	80	0	4.6	40.2
	5		8.4		5		38.2
	10		2.0		10		28.8
	15		1.2		15		18.3
	20		*(16.5)		20		10.0
30	0	2.8	27.4		30		5.0
	5		10.4		40		3.1
	10		3.3		50		2.1
	15		1.8		60		
	20		*(17.2)		65		*(51.9)
35	0	3.0	30.5	90	0	4.8	42.6
	5		14.2		5		39.7
	10		4.7		10		32.9
	15		2.3		20		15.9
	20		1.8		30		7.2
40	0	3.2	32.9		40		4.5
	5		16.9		50		2.9
	10		7.3		60		
	15		3.1		70		
	25		0.84		75		*(54.3)
45	0	3.4	33.0	100	0	5.1	44.4
	5		19.9		5		42.6
	10		8.9		10		36.6
	15		4.2		20		18.7
	20		2.5		30		10.3
50	0	3.6	33.8		40		6.0
	5		23.5		50		3.9
	10		11.6		60		
	15		5.4		70		
	20		3.3		80		*(59.7)
60	0	3.8	33.8	120	0	5.6	48.7
	5		23.5		5		47.0
	10		11.6		10		42.6
	15		5.4		20		26.1
	20		3.3		30		15.0
	25		2.4		40		8.4
	30				50		5.6
	35				60		4.1
	40		*(29.0)		70		3.0
					80		
		90					
		100	*(71.2)				

Copyright© 2014 REV 2014

Mazzei Injector Company, LLC
 500 Rooster Drive, Bakersfield, CA 93307-9555 USA

TEL 661.363.6500 • FAX 661.363.7500 • www.mazzei.net

**NUMBERS IN PARENTHESIS indicate the injector outlet pressure when suction stops (Zero Suction Point).*

Model 484X



Injector Performance Table
Air Suction Capacity - METRIC

Operating Pressure kg/cm ²		AIR SUCTION		Operating Pressure kg/cm ²		AIR SUCTION	
Injector INLET	Injector OUTLET	Motive Flow l/min	Air Suction l/min	Injector INLET	Injector OUTLET	Motive Flow l/min	Air Suction l/min
0.35	0.00	4.3	3.7	4.22	0.00	15.0	17.2
	0.07		1.2		0.35		14.3
	0.14		0.31		0.70		7.7
	0.21		0.22		1.05		4.8
	0.28		*(0.25)		1.41		2.4
0.70	0.00	6.1	6.1		2.11		1.3
	0.14		1.8		2.46		
	0.35		0.54		2.81		
	0.49		0.18		3.16		*(2.43)
	0.56		*(0.53)				
1.05	0.00	7.5	8.3	4.92	0.00	16.2	18.7
	0.35		1.3		0.35		14.9
	0.49		0.72		0.70		9.8
	0.70				1.05		7.1
	0.84		*(0.61)		1.41		3.5
1.41	0.00	8.6	10.1		2.11		1.1
	0.35		2.5		2.81		
	0.70		0.69		3.16		
	0.84		0.47		3.52		
	1.05		*(0.93)		3.87		*(2.86)
1.76	0.00	9.7	11.7	5.62	0.00	17.3	19.0
	0.35		3.9		0.35		18.0
	0.70		0.98		0.70		13.6
	1.05		0.60		1.05		8.6
	1.41		*(1.16)		1.41		4.7
2.11	0.00	10.6	12.9		2.11		2.3
	0.35		4.9		2.81		1.4
	0.70		1.5		3.52		1.0
	1.05		0.88		4.22		
	1.41		*(1.20)		4.57		*(3.65)
2.46	0.00	11.4	14.4	6.33	0.00	18.4	20.1
	0.35		6.7		0.35		18.7
	0.70		2.2		0.70		15.5
	1.05		1.1		1.41		7.5
	1.41		0.86		2.11		3.4
2.81	0.00	12.2	15.5		2.81		2.1
	0.35		8.0		3.52		1.3
	0.70		3.4		4.22		
	1.05		1.5		4.92		
	1.41		1.1		5.27		*(3.81)
3.16	0.00	13.0	15.5	7.03	0.00	19.3	20.9
	0.35		9.4		0.35		20.1
	0.70		4.2		0.70		17.2
	1.05		1.9		1.41		8.8
	1.41		1.2		2.11		4.8
3.52	0.00	13.7	15.5		2.81		2.8
	0.35		9.4		3.52		1.8
	0.70		4.2		4.22		
	1.05		1.9		4.92		
	1.41		1.2		5.62		*(4.19)
3.52	0.00	13.7	16.0	8.44	0.00	21.2	23.0
	0.35		11.1		0.35		22.2
	0.70		5.5		0.70		20.1
	1.05		2.5		1.41		12.3
	1.41		1.5		2.11		7.0
	1.76		1.1		2.81		3.9
	2.11				3.52		2.6
	2.46				4.22		1.9
	2.81		*(2.04)		4.92		1.4
					5.62		
		6.33					
		7.03	*(5.00)				

Copyright© 2014 REV 2014

Mazzei Injector Company, LLC
 500 Rooster Drive, Bakersfield, CA 93307-9555 USA

TEL 661.363.6500 • FAX 661.363.7500 • www.mazzei.net

**NUMBERS IN PARENTHESIS indicate the injector outlet pressure when suction stops (Zero Suction Point).*

Model 484X