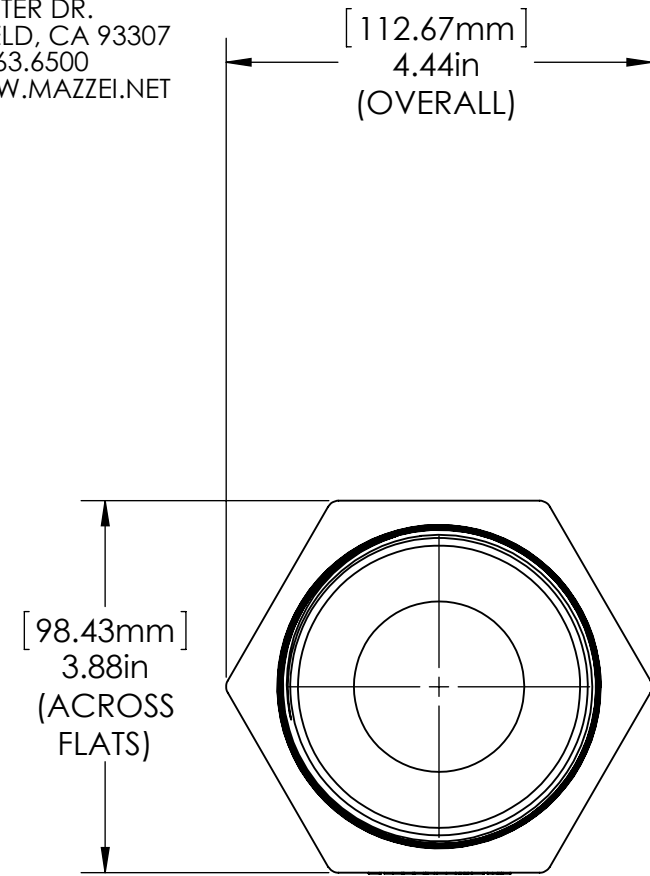


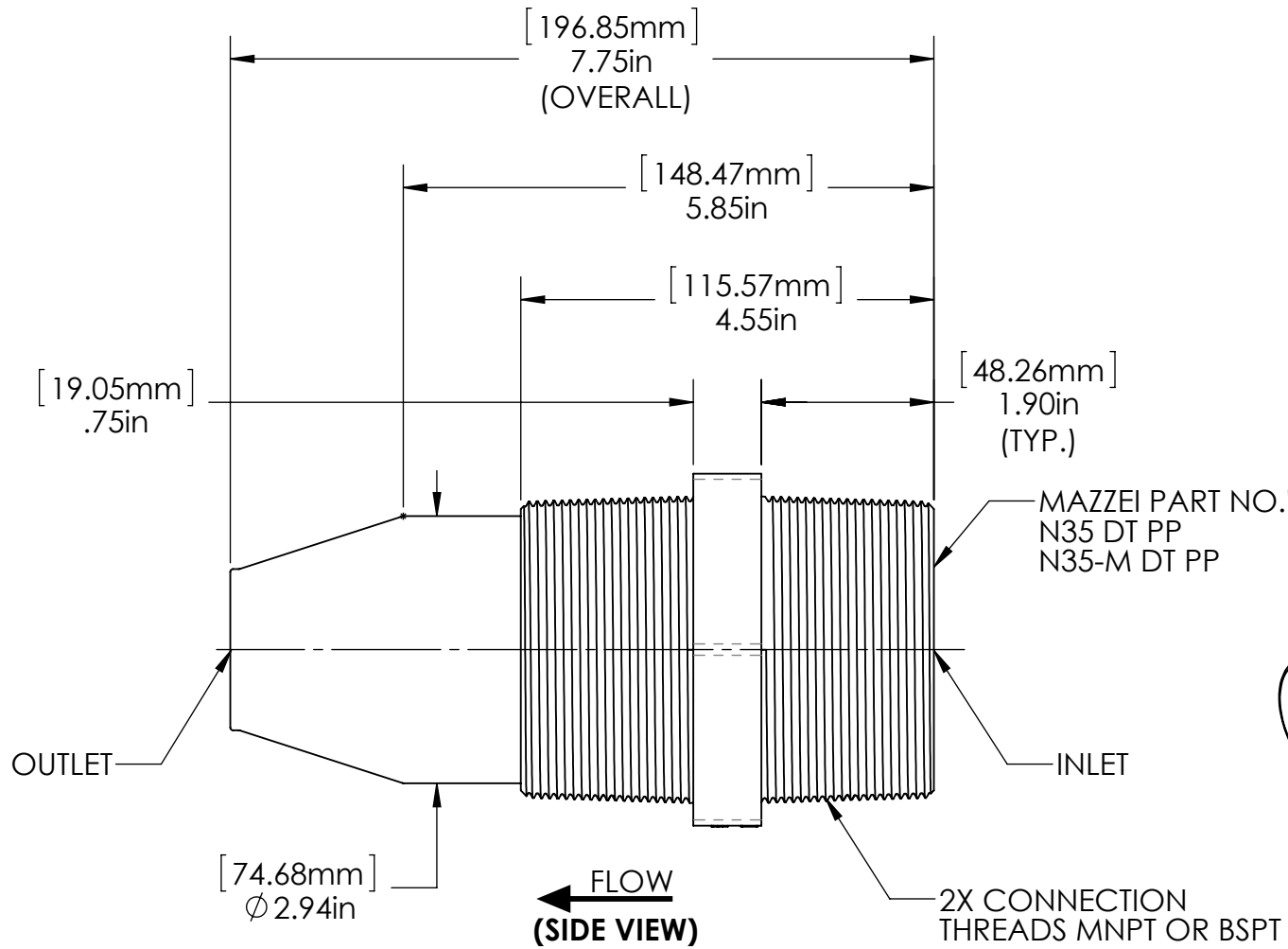
NOTES:

1. MADE IN THE U.S.A.
2. U.S. PATENT No. 5,894,995
3. MATERIAL: POLYPROPYLENE (PP)
4. INLET/OUTLET CONNECTIONS:
3" NOMINAL DIA., ANSI B1.20.1, MALE NATIONAL PIPE THREAD (MNPT) OR BRITISH STANDARD PIPE TAPER (BSPT).
5. MAZZEI INJECTOR CO., LLC.
500 ROOSTER DR.
BAKERSFIELD, CA 93307
TEL: 661.363.6500
WEB: WWW.MAZZEI.NET

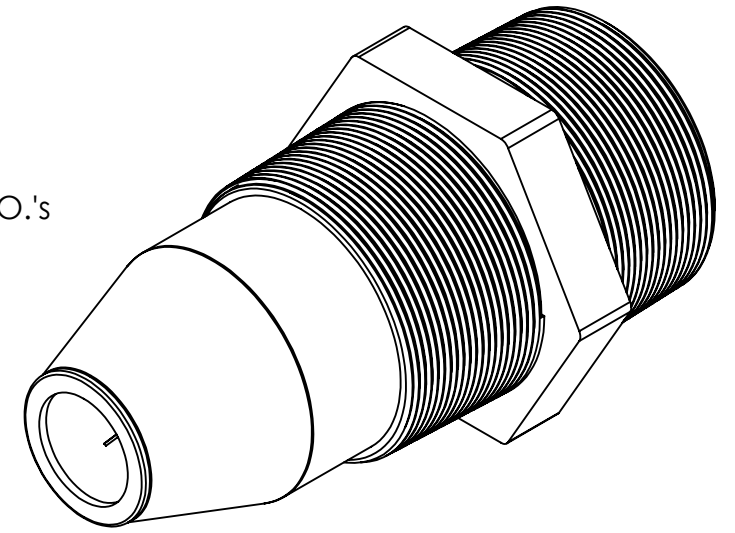
REVISIONS			
REV.	DESCRIPTION	DATE	APPROVED
NC	RELEASED FOR SUBMITTAL.	5/19/2015	J. BENNETT
A	CHANGED MATERIAL TYPE FROM PVDF TO PP	5/19/2015	J. BENNETT



(END VIEW)



SUBMITTAL DRAWING



(ISOMETRIC VIEW)
(FOR REFERENCE ONLY)

SUBMITTAL NOTICE

ANY RECCOMENDATIONS FOR PRODUCT AND/OR SYSTEM DESIGN, WHETHER CONTAINED IN A DOCUMENT, WITHIN THIS DRAWING, COMMUNICATED BY ELECTRONIC MEANS OR GIVEN VERBALLY, ARE INTENDED SOLELY AS GUIDELINES TO ACTUAL SYSTEM DESIGN. SAID RECCOMENDATIONS ARE BASED UPON INFORMATION SUPPLIED BY OTHERS, THE ACCURACY OF WHICH IS BEYOND VERIFICATION BY MAZZEI INJECTOR CO., LLC. THEREFOR MAZZEI CANNOT AND DOES NOT WARRANT THE SUITABILITY OF ITS PRODUCTS FOR A PARTICULAR SERVICE NOR THE PERFORMANCE OF ANY SYSTEM CONTAINING COMPONENTS MADE OR SOLD BY MAZZEI.

CONFIDENTIALITY NOTICE

THE INFORMATION CONTAINED IN THIS DRAWING IS THE SOLE PROPERTY OF MAZZEI INJECTOR COMPANY LLC. ANY REPRODUCTION IN PART OR AS A WHOLE WITHOUT THE WRITTEN PERMISSION OF MAZZEI IS STRICTLY PROHIBITED.

DRAWING MAY NOT BE PRINTED FULL SIZE
DO NOT SCALE

UNLESS OTHERWISE SPECIFIED
DIM ARE IN INCHES
TOL ON ANGLE ± .1/2°
1 PL ± .125 2 PL ± .060 3 PL ± .030
INTERPRET DIM AND TOL PER
ASME Y14.5M-1994

THIRD ANGLE PROJECTION

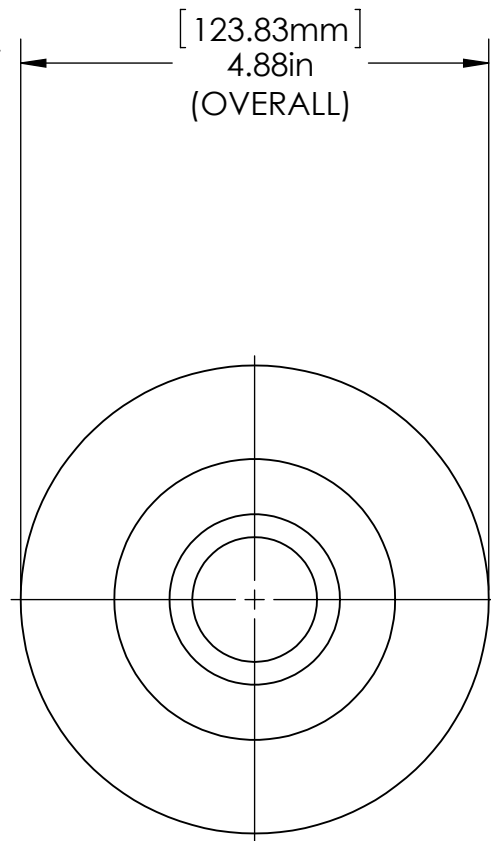
APPROVALS	DATE
DRAWN: J. PEREZ	5/19/2015
CHECKED: T. JOHNS	5/19/2015
APPROVED: J. BENNETT	5/19/2015
QA: -	
CUSTOMER APPROVAL: -	
CUSTOMER: NA	

		MAZZEI INJECTOR CO., LLC 500 ROOSTER DRIVE BAKERSFIELD, CA 93307 PHONE: (661) 363-6500 FAX: (661)363-7500 WWW.MAZZEI.NET	
		TITLE: NOZZLE; N35 DT PP	
SIZE: B	JOB NO.: NA	DRAWING NUMBER: N35 DT PP	REV: A
SCALE: 1:2	WEIGHT: 1.04 LBS	SHEET: 1 OF 1	

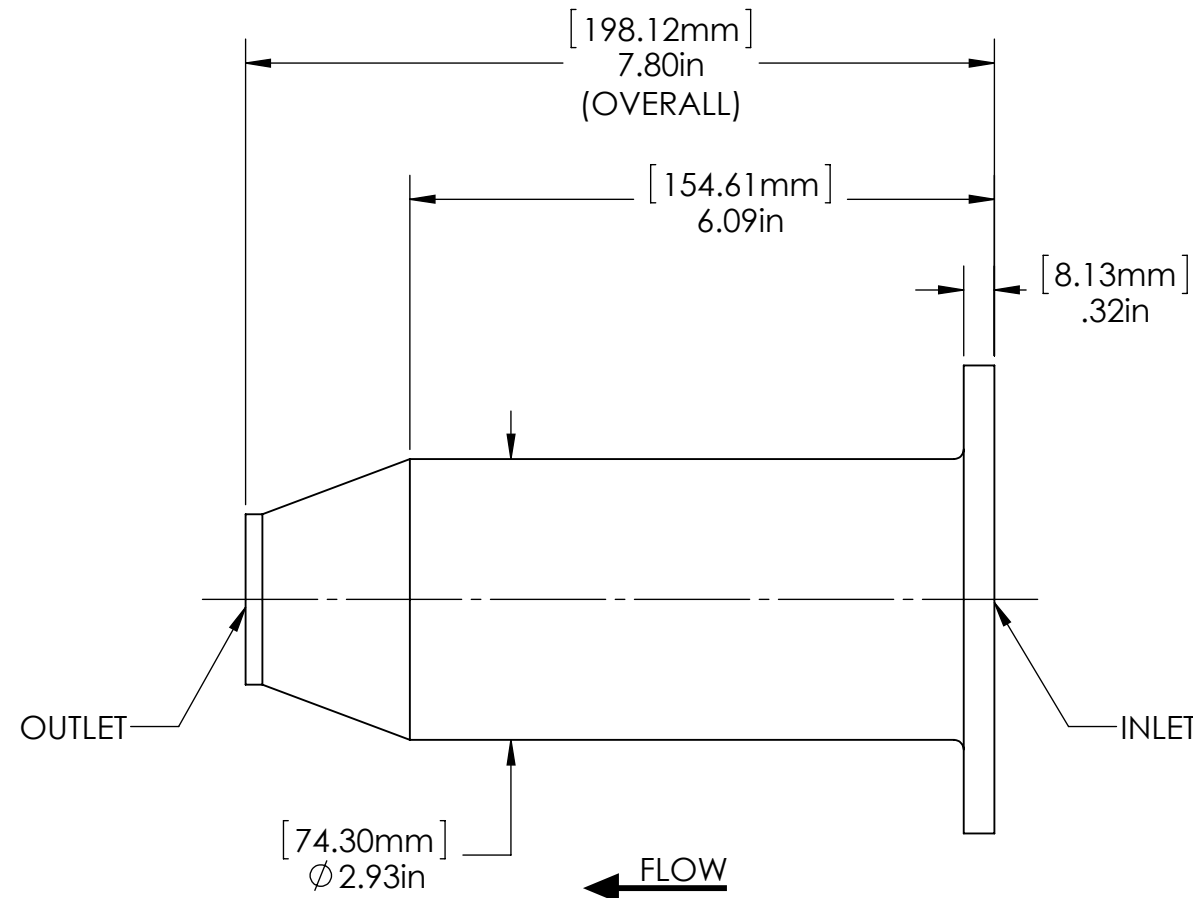
NOTES:

1. MADE IN THE U.S.A.
2. U.S. PATENT No. 5,894,995
3. MATERIAL: POLYPROPYLENE (PP)
4. INLET/OUTLET CONNECTIONS:
3" NOMINAL DIA., WAFER STYLE CONNECTION
5. TWO FLANGES AND TWO GASKETS PER NOZZLE ARE
REQUIRED TO MAKE UP CONNECTION.
6. MAZZEI INJECTOR CO., LLC.
500 ROOSTER DR.
BAKERSFIELD, CA 93307
TEL: 661.363.6500
WEB: WWW.MAZZEI.NET

REVISIONS			
REV.	DESCRIPTION	DATE	APPROVED
NC	RELEASED FOR SUBMITTAL.	10/3/2014	T. JOHNS
A	CHANGED MATERIAL FROM PVDF TO PP	6/5/2015	J. BENNETT

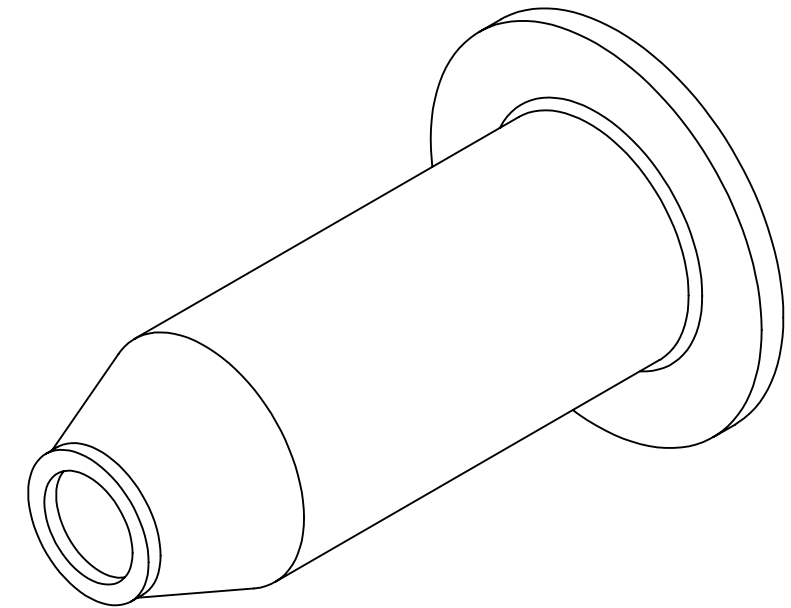


(END VIEW)


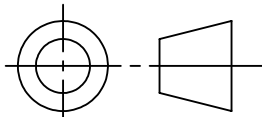


FLOW
(SIDE VIEW)

SUBMITTAL DRAWING

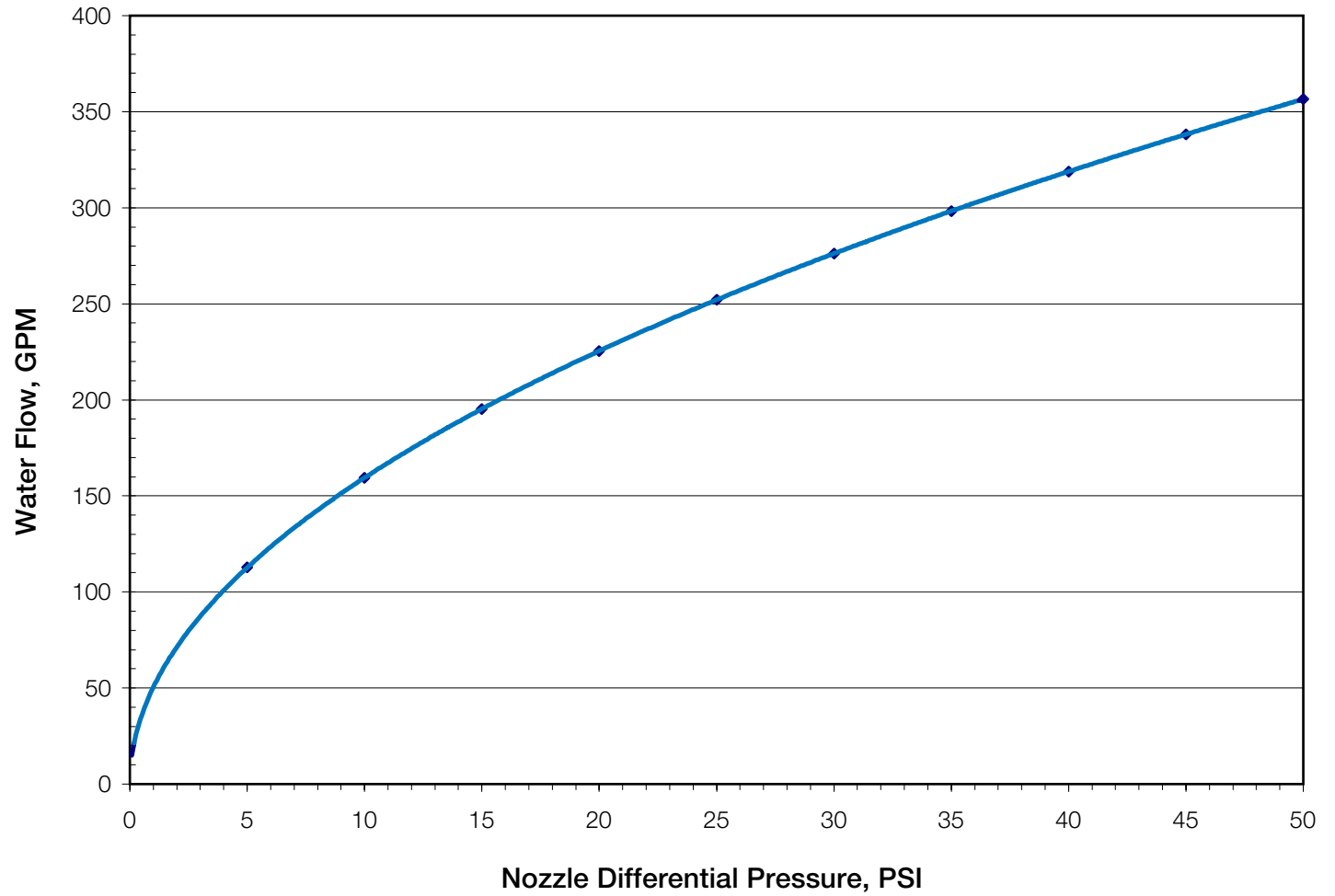


(ISOMETRIC VIEW)
(FOR REFERENCE ONLY)

SUBMITTAL NOTICE	CONFIDENTIALITY NOTICE	UNLESS OTHERWISE SPECIFIED DIM ARE IN INCHES TOL ON ANGLE ± .1/2° 1 PL ± .125 2 PL ± .060 3 PL ± .030 INTERPRET DIM AND TOL PER ASME Y14.5M-1994	APPROVALS	DATE		MAZZEI INJECTOR CO., LLC			
ANY RECCOMENDATIONS FOR PRODUCT AND/OR SYSTEM DESIGN, WHETHER CONTAINED IN A DOCUMENT, WITHIN THIS DRAWING, COMMUNICATED BY ELECTRONIC MEANS OR GIVEN VERBALLY, ARE INTENDED SOLELY AS GUIDELINES TO ACTUAL SYSTEM DESIGN. SAID RECCOMENDATIONS ARE BASED UPON INFORMATION SUPPLIED BY OTHERS, THE ACCURACY OF WHICH IS BEYOND VERIFICATION BY MAZZEI INJECTOR CO., LLC. THEREFOR MAZZEI CANNOT AND DOES NOT WARRANT THE SUITABILITY OF ITS PRODUCTS FOR A PARTICULAR SERVICE NOR THE PERFORMANCE OF ANY SYSTEM CONTAINING COMPONENTS MADE OR SOLD BY MAZZEI.	THE INFORMATION CONTAINED IN THIS DRAWING IS THE SOLE PROPERTY OF MAZZEI INJECTOR COMPANY LLC. ANY REPRODUCTION IN PART OR AS A WHOLE WITHOUT THE WRITTEN PERMISSION OF MAZZEI IS STRICTLY PROHIBITED.	THIRD ANGLE PROJECTION 	DRAWN: J. PEREZ	6/5/2015		500 ROOSTER DRIVE BAKERSFIELD, CA 93307 PHONE: (661) 363-6500 FAX: (661)363-7500 WWW.MAZZEI.NET			
			CHECKED: T. JOHNS	10/3/2014	TITLE: NOZZLE; N35-F				
APPROVED: T. JOHNS	10/3/2014	QA: -	CUSTOMER APPROVAL: -	SIZE: B					JOB NO.: NA
DRAWING MAY NOT BE PRINTED FULL SIZE DO NOT SCALE			CUSTOMER: NA	SCALE: 1:2	WEIGHT: 1.01 LBS	SHEET: 1 OF 1			



MAZZEI® MTM™ NOZZLE N35



Copyright© 2014 REV October 2014

Mazzei Injector Company, LLC
500 Rooster Drive, Bakersfield, CA 93307-9555 USA

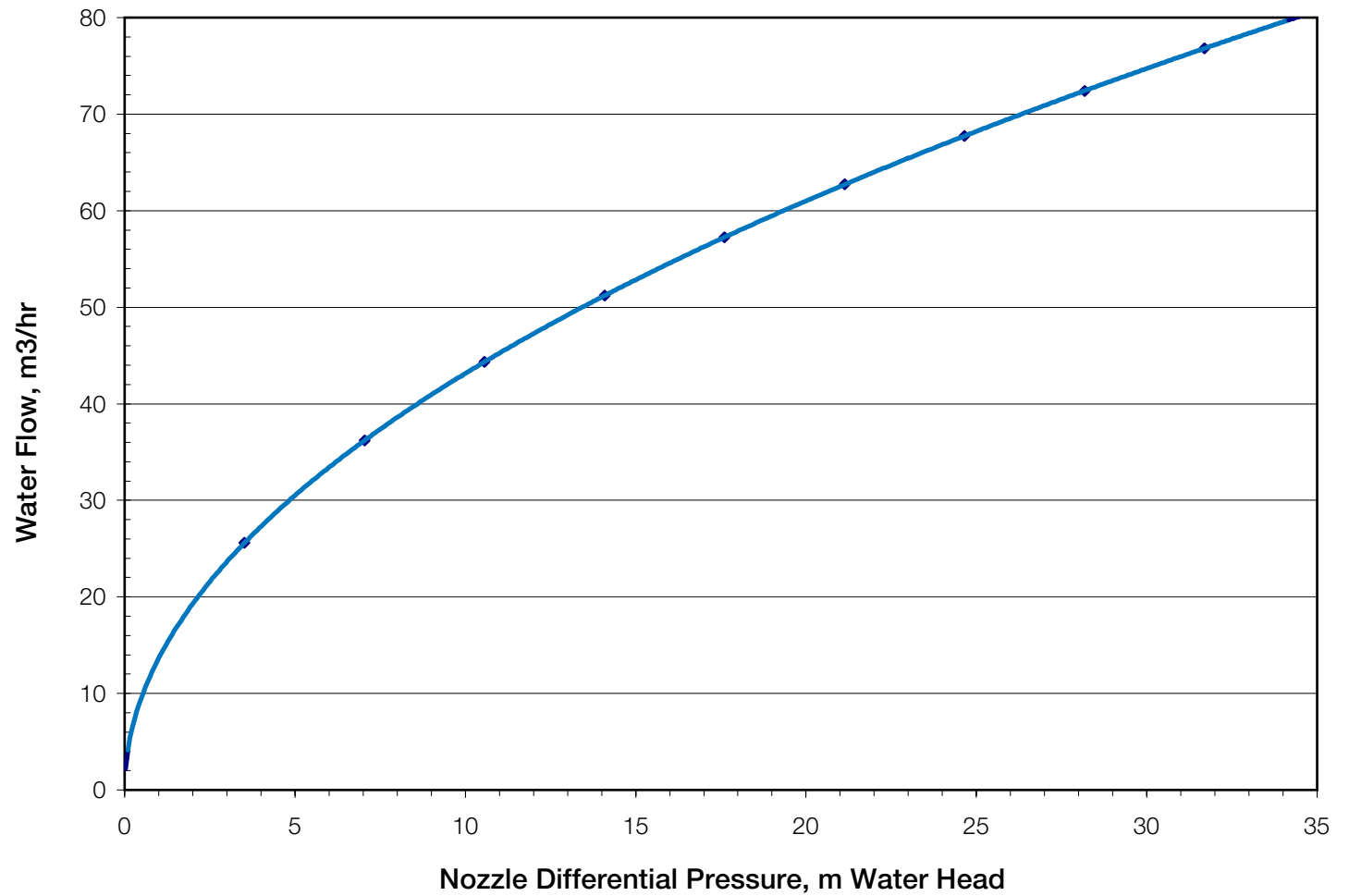
TEL 661.363.6500 • FAX 661.363.7500 • www.mazzei.net

Mass Transfer Multiplier™ (MTM) Nozzle Performance Table

Model N35



MAZZEI® MTM™ NOZZLE N35



Copyright© 2014 REV October 2014

Mazzei Injector Company, LLC
500 Rooster Drive, Bakersfield, CA 93307-9555 USA

TEL 661.363.6500 • FAX 661.363.7500 • www.mazzei.net

Mass Transfer Multiplier™ (MTM) Nozzle Performance Table - *Metric*

Model N35