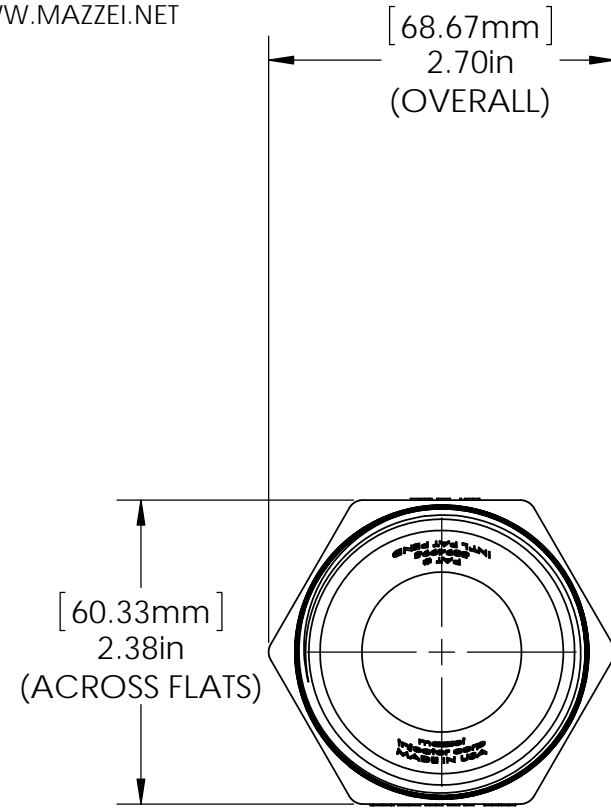


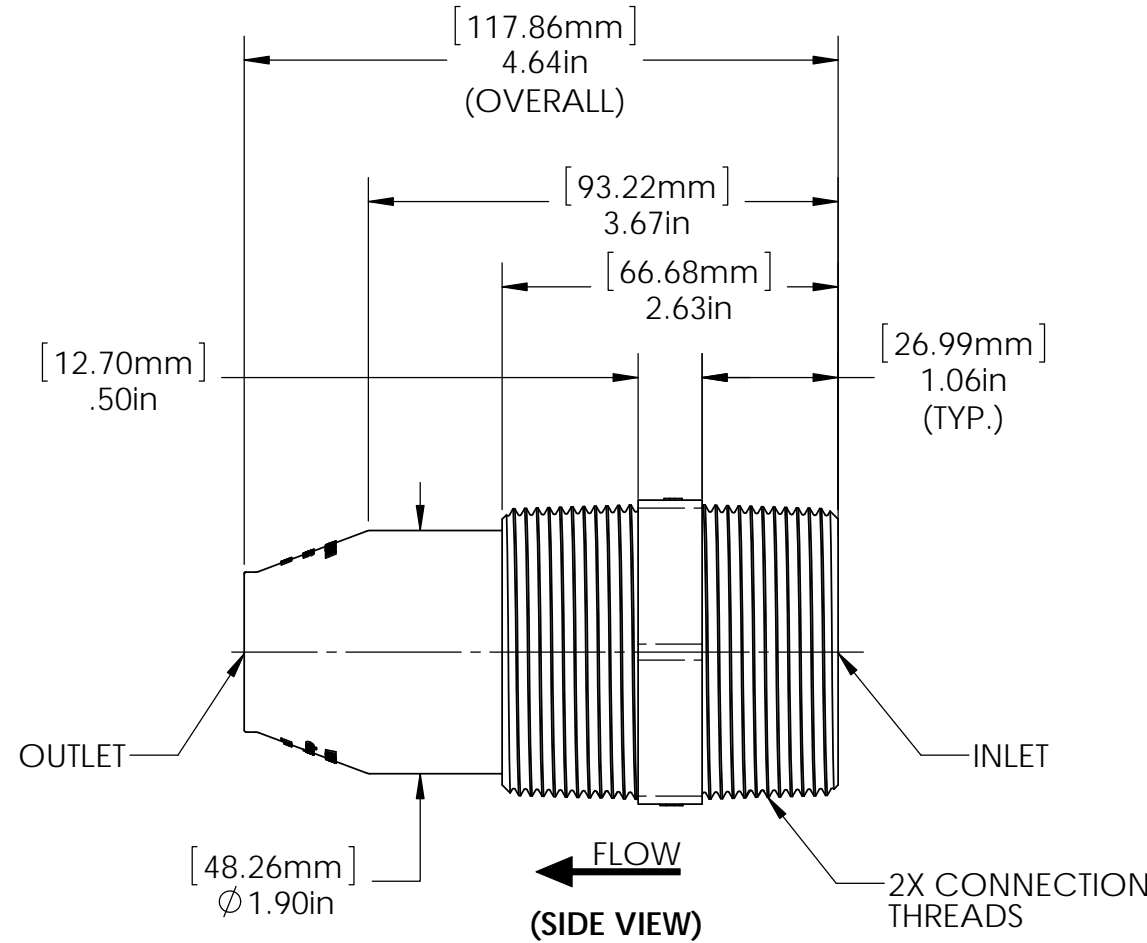
NOTES:

1. MADE IN THE U.S.A.
2. U.S. PATENT No. 5,894,995
3. MATERIAL: POLYVINYLIDENE FLOURIDE (PVDF)
4. INLET/OUTLET CONNECTIONS:  
2" NOMINAL DIA., ANSI B1.20.1, MALE NATIONAL PIPE  
THREAD (MNPT)
5. MAZZEI INJECTOR CO., LLC.  
500 ROOSTER DR.  
BAKERSFIELD, CA 93307  
TEL: 661.363.6500  
WEB: WWW.MAZZEI.NET

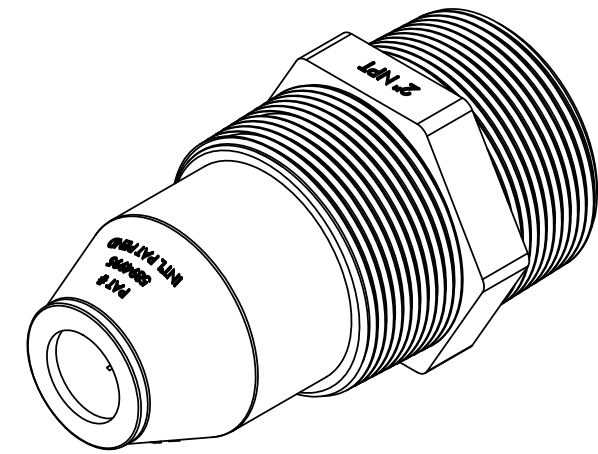
REVISIONS			
REV.	DESCRIPTION	DATE	APPROVED
NC	RELEASED FOR SUBMITTAL.	10/3/2014	T. JOHNS




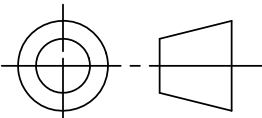
(END VIEW)



**SUBMITTAL DRAWING**



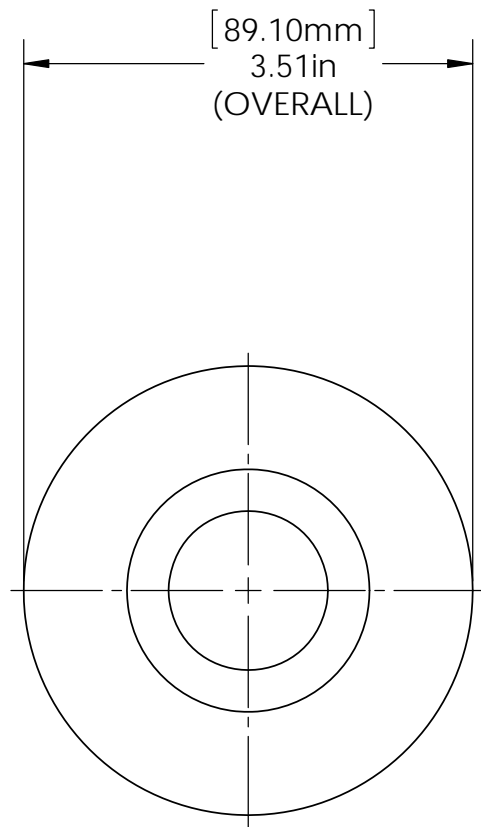
(ISOMETRIC VIEW)  
(FOR REFERENCE ONLY)

SUBMITTAL NOTICE	CONFIDENTIALITY NOTICE	UNLESS OTHERWISE SPECIFIED DIM ARE IN INCHES TOL ON ANGLE ± .1/2° 1 PL ± .125 2 PL ± .060 3 PL ± .030 INTERPRET DIM AND TOL PER ASME Y14.5M-1994	APPROVALS	DATE	 <b>MAZZEI INJECTOR CO., LLC</b> 500 ROOSTER DRIVE BAKERSFIELD, CA 93307 PHONE: (661) 363-6500 FAX: (661)363-7500 WWW.MAZZEI.NET
ANY RECCOMENDATIONS FOR PRODUCT AND/OR SYSTEM DESIGN, WHETHER CONTAINED IN A DOCUMENT, WITHIN THIS DRAWING, COMMUNICATED BY ELECTRONIC MEANS OR GIVEN VERBALLY, ARE INTENDED SOLELY AS GUIDELINES TO ACTUAL SYSTEM DESIGN. SAID RECCOMENDATIONS ARE BASED UPON INFORMATION SUPPLIED BY OTHERS, THE ACCURACY OF WHICH IS BEYOND VERIFICATION BY MAZZEI INJECTOR CO. LLC. THEREFOR MAZZEI CANNOT AND DOES NOT WARRANT THE SUITABILITY OF ITS PRODUCTS FOR A PARTICULAR SERVICE NOR THE PERFORMANCE OF ANY SYSTEM CONTAINING COMPONENTS MADE OR SOLD BY MAZZEI.	THE INFORMATION CONTAINED IN THIS DRAWING IS THE SOLE PROPERTY OF MAZZEI INJECTOR COMPANY LLC. ANY REPRODUCTION IN PART OR AS A WHOLE WITHOUT THE WRITTEN PERMISSION OF MAZZEI IS STRICTLY PROHIBITED.	<b>THIRD ANGLE PROJECTION</b> 	DRAWN: J. PEREZ	10/3/2014	
			CHECKED: T. JOHNS	10/3/2014	
			APPROVED: T. JOHNS	10/3/2014	
	DRAWING MAY NOT BE PRINTED FULL SIZE DO NOT SCALE		QA: -		SIZE: <b>B</b>
			CUSTOMER APPROVAL: -		JOB NO.: <b>NA</b>
			CUSTOMER: <b>NA</b>		DRAWING NUMBER: <b>N22-DT</b>
					SCALE: <b>1:1</b>
					WEIGHT: <b>0.42 LBS</b>
					SHEET: <b>1 OF 1</b>

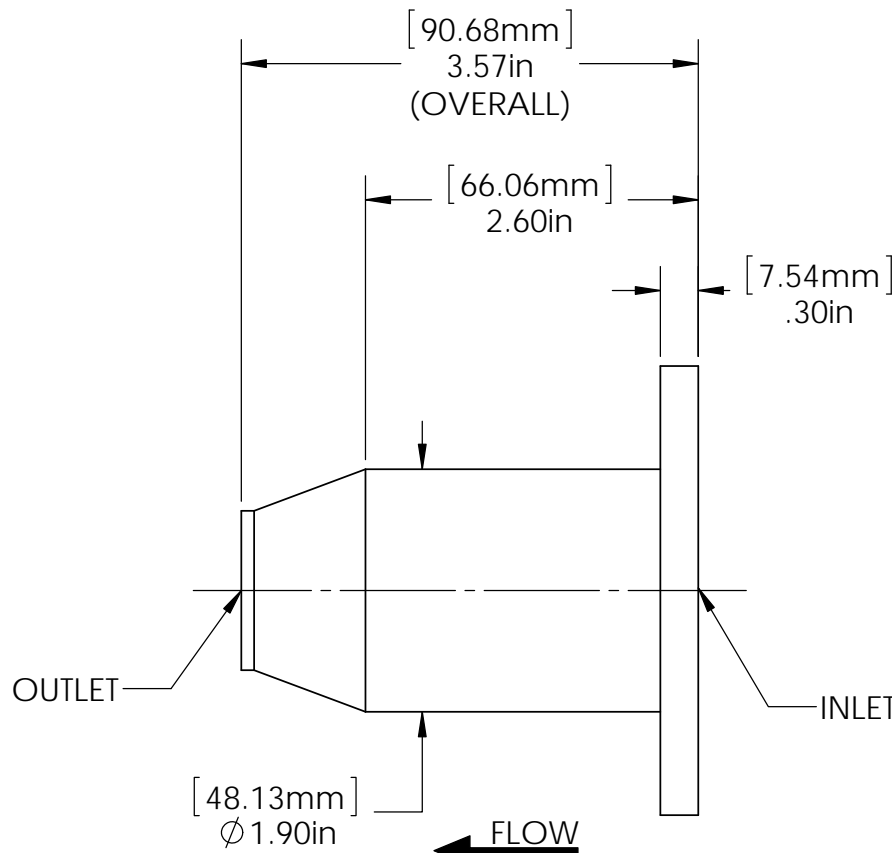
NOTES:

1. MADE IN THE U.S.A.
2. U.S. PATENT No. 5,894,995
3. MATERIAL: POLYVINYLIDENE FLOURIDE (PVDF)
4. INLET/OUTLET CONNECTIONS:  
2" NOMINAL DIA., WAFER STYLE CONNECTION
5. TWO FLANGES AND TWO GASKETS PER NOZZLE ARE  
REQUIRED TO MAKE UP CONNECTION.
6. MAZZEI INJECTOR CO., LLC.  
500 ROOSTER DR.  
BAKERSFIELD, CA 93307  
TEL: 661.363.6500  
WEB: WWW.MAZZEI.NET

REVISIONS			
REV.	DESCRIPTION	DATE	APPROVED
NC	RELEASED FOR SUBMITTAL.	10/3/2014	T. JOHNS

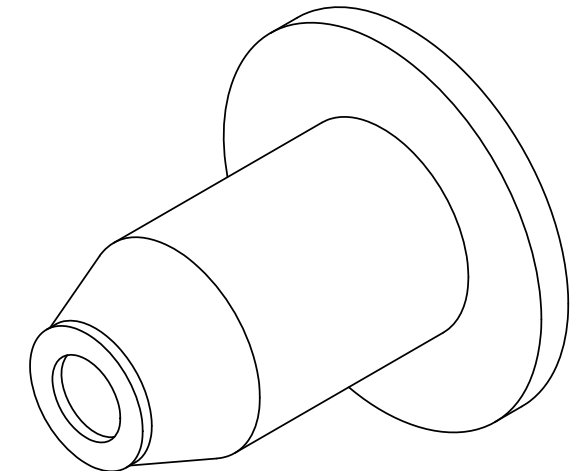


(END VIEW)


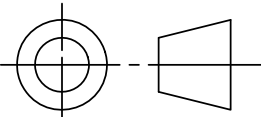


FLOW  
(SIDE VIEW)

**SUBMITTAL DRAWING**

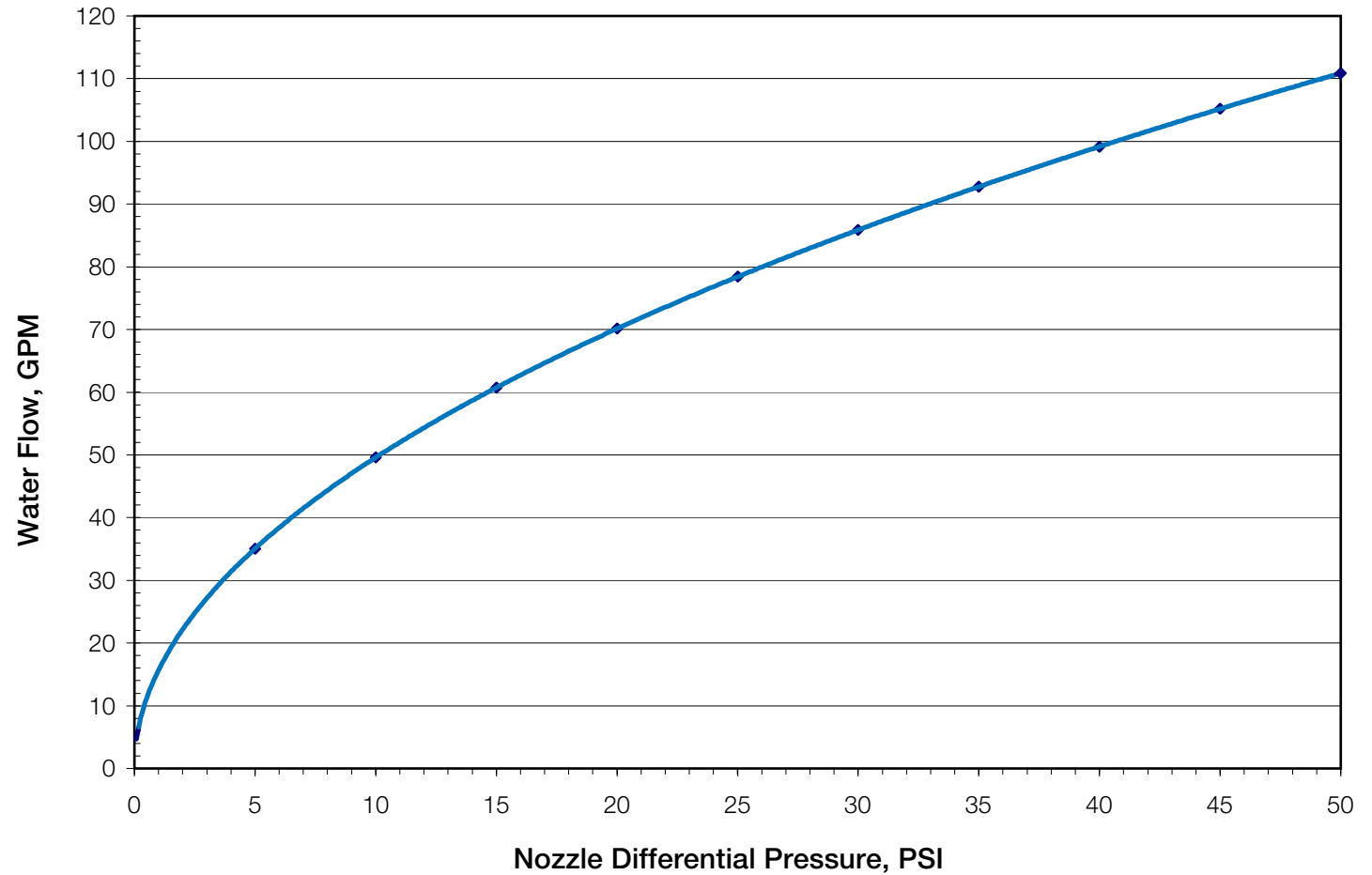


(ISOMETRIC VIEW)  
(FOR REFERENCE ONLY)

SUBMITTAL NOTICE	CONFIDENTIALITY NOTICE	UNLESS OTHERWISE SPECIFIED DIM ARE IN INCHES TOL ON ANGLE ± .1/2° 1 PL ± .125 2 PL ± .060 3 PL ± .030 INTERPRET DIM AND TOL PER ASME Y14.5M-1994	APPROVALS	DATE	 <b>MAZZEI INJECTOR CO., LLC</b> 500 ROOSTER DRIVE BAKERSFIELD, CA 93307 PHONE: (661) 363-6500 FAX: (661)363-7500 WWW.MAZZEI.NET			
ANY RECCOMENDATIONS FOR PRODUCT AND/OR SYSTEM DESIGN, WHETHER CONTAINED IN A DOCUMENT, WITHIN THIS DRAWING, COMMUNICATED BY ELECTRONIC MEANS OR GIVEN VERBALLY, ARE INTENDED SOLELY AS GUIDELINES TO ACTUAL SYSTEM DESIGN. SAID RECCOMENDATIONS ARE BASED UPON INFORMATION SUPPLIED BY OTHERS, THE ACCURACY OF WHICH IS BEYOND VERIFICATION BY MAZZEI INJECTOR CO. LLC. THEREFOR MAZZEI CANNOT AND DOES NOT WARRANT THE SUITABILITY OF ITS PRODUCTS FOR A PARTICULAR SERVICE NOR THE PERFORMANCE OF ANY SYSTEM CONTAINING COMPONENTS MADE OR SOLD BY MAZZEI.	THE INFORMATION CONTAINED IN THIS DRAWING IS THE SOLE PROPERTY OF MAZZEI INJECTOR COMPANY LLC. ANY REPRODUCTION IN PART OR AS A WHOLE WITHOUT THE WRITTEN PERMISSION OF MAZZEI IS STRICTLY PROHIBITED.	<b>THIRD ANGLE PROJECTION</b> 	DRAWN: J. PEREZ	10/3/2014	<b>TITLE:</b> NOZZLE; N22-F			
			CHECKED: T. JOHNS	10/3/2014				
			APPROVED: T. JOHNS	10/3/2014				
DRAWING MAY NOT BE PRINTED FULL SIZE DO NOT SCALE			QA: -		SIZE: <b>B</b>	JOB NO.: <b>NA</b>	DRAWING NUMBER: <b>N22-F</b>	REV: <b>NC</b>
			CUSTOMER APPROVAL: -		SCALE: <b>2:3</b>	WEIGHT: <b>0.32 LBS</b>	SHEET: <b>1 OF 1</b>	



## MAZZEI® MTM™ NOZZLE N22



Copyright© 2014 REV October 2014

Mazzei Injector Company, LLC  
500 Rooster Drive, Bakersfield, CA 93307-9555 USA

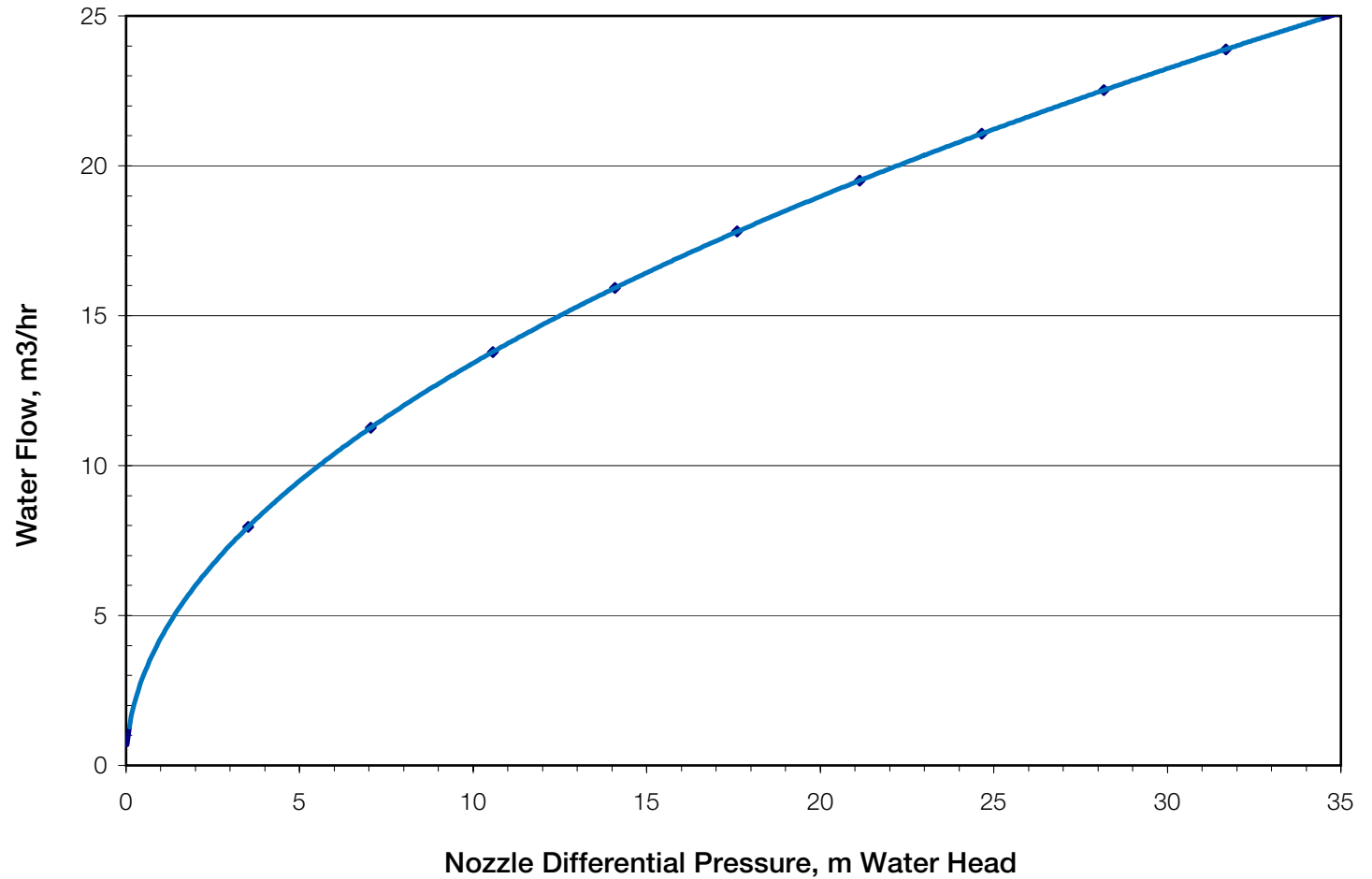
TEL 661.363.6500 • FAX 661.363.7500 • [www.mazzei.net](http://www.mazzei.net)

Mass Transfer Multiplier™ (MTM) Nozzle Performance Table

Model N22



## MAZZEI® MTM™ NOZZLE N22



Copyright© 2014 REV October 2014

Mazzei Injector Company, LLC  
500 Rooster Drive, Bakersfield, CA 93307-9555 USA

TEL 661.363.6500 • FAX 661.363.7500 • [www.mazzei.net](http://www.mazzei.net)

Mass Transfer Multiplier™ (MTM) Nozzle Performance Table - *Metric*

**Model N22**