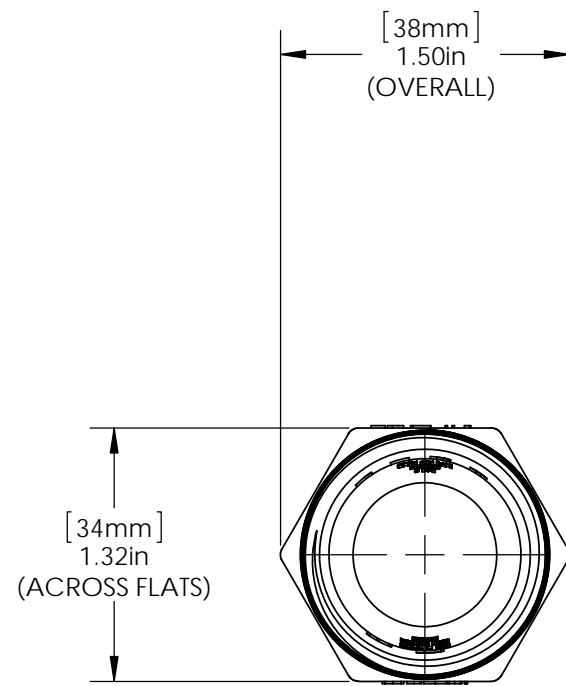


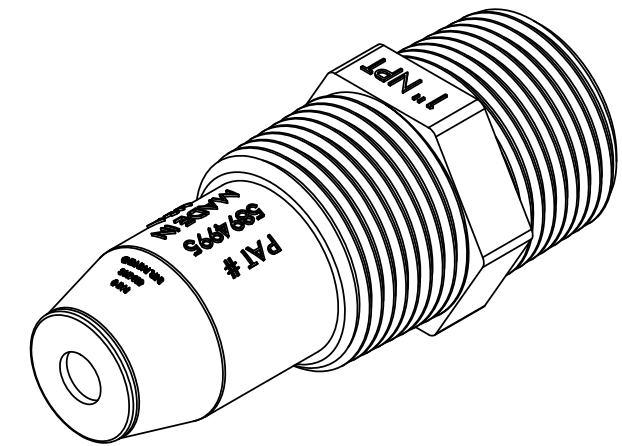
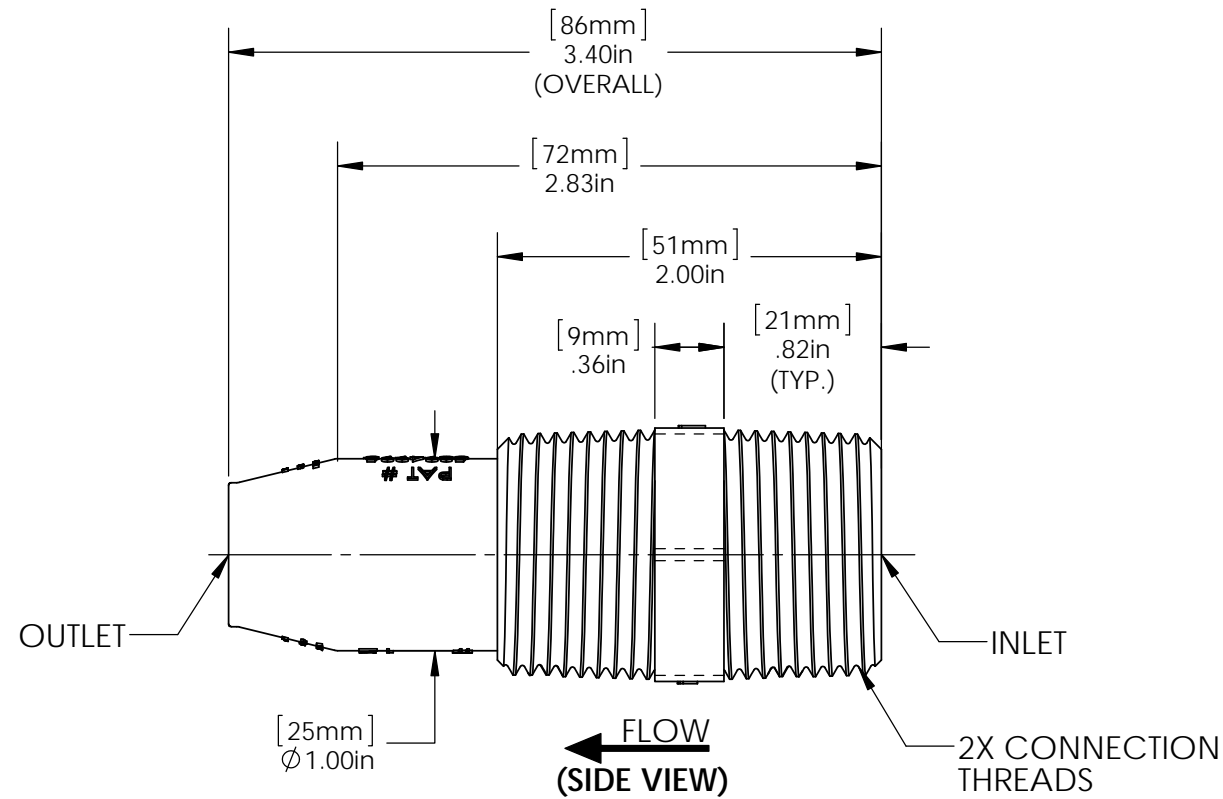
NOTES:

1. MADE IN THE U.S.A.
2. U.S. PATENT No. 5,894,995
3. MATERIAL: POLYVINYLIDENE FLOURIDE (PVDF)
4. INLET/OUTLET CONNECTIONS:
1" NOMINAL DIA., ANSI B1.20.1, MALE NATIONAL PIPE
THREAD (MNPT)
5. MAZZEI INJECTOR CO., LLC.
500 ROOSTER DR.
BAKERSFIELD, CA 93307
TEL: 661.363.6500
WEB: WWW.MAZZEI.NET

| REVISIONS | | | |
|-----------|-------------------------|-----------|----------|
| REV. | DESCRIPTION | DATE | APPROVED |
| NC | RELEASED FOR SUBMITTAL. | 10/6/2014 | T. JOHNS |


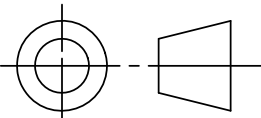


(END VIEW)



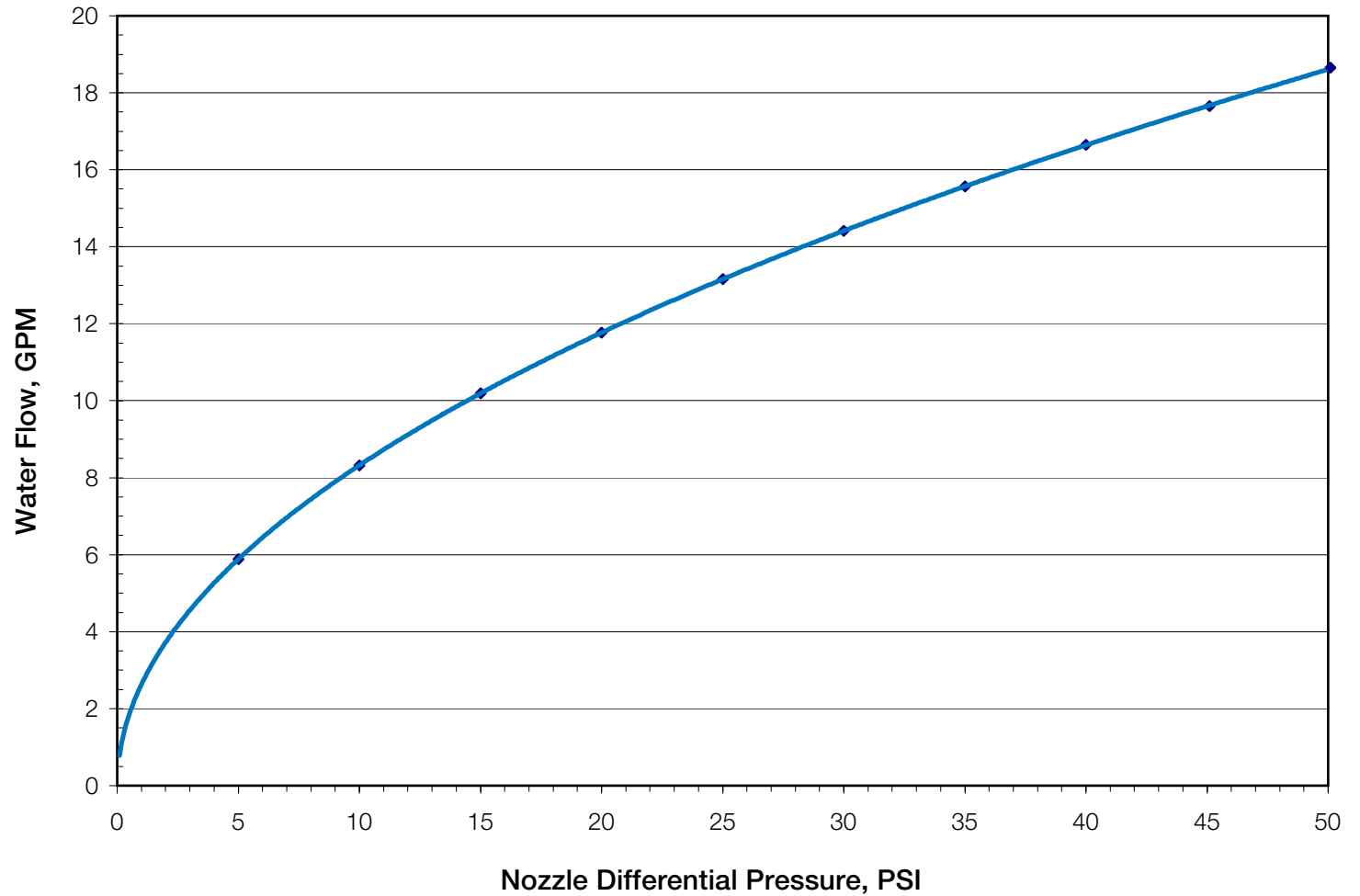
(ISOMETRIC VIEW)
(FOR REFERENCE ONLY)

SUBMITTAL DRAWING

| SUBMITTAL NOTICE | CONFIDENTIALITY NOTICE | UNLESS OTHERWISE SPECIFIED DIM ARE IN INCHES TOL ON ANGLE ± .1/2° 1 PL ± .125 2 PL ± .060 3 PL ± .030 INTERPRET DIM AND TOL PER ASME Y14.5M-1994 | APPROVALS | DATE |  MAZZEI INJECTOR CO., LLC 500 ROOSTER DRIVE BAKERSFIELD, CA 93307 PHONE: (661) 363-6500 FAX: (661)363-7500 WWW.MAZZEI.NET | |
|--|--|---|----------------------|--------------------|---|-----------------------|
| ANY RECCOMENDATIONS FOR PRODUCT AND/OR SYSTEM DESIGN, WHETHER CONTAINED IN A DOCUMENT, WITHIN THIS DRAWING, COMMUNICATED BY ELECTRONIC MEANS OR GIVEN VERBALLY, ARE INTENDED SOLELY AS GUIDELINES TO ACTUAL SYSTEM DESIGN. SAID RECCOMENDATIONS ARE BASED UPON INFORMATION SUPPLIED BY OTHERS, THE ACCURACY OF WHICH IS BEYOND VERIFICATION BY MAZZEI INJECTOR CO. LLC. THEREFOR MAZZEI CANNOT AND DOES NOT WARRANT THE SUITABILITY OF ITS PRODUCTS FOR A PARTICULAR SERVICE NOR THE PERFORMANCE OF ANY SYSTEM CONTAINING COMPONENTS MADE OR SOLD BY MAZZEI. | THE INFORMATION CONTAINED IN THIS DRAWING IS THE SOLE PROPERTY OF MAZZEI INJECTOR COMPANY LLC. ANY REPRODUCTION IN PART OR AS A WHOLE WITHOUT THE WRITTEN PERMISSION OF MAZZEI IS STRICTLY PROHIBITED. | THIRD ANGLE PROJECTION  | DRAWN: J. PEREZ | 10/6/2014 | | NOZZLE; N12-DT |
| | | | CHECKED: T. JOHNS | 10/6/2014 | | |
| APPROVED: T. JOHNS | 10/6/2014 | QA: - CUSTOMER APPROVAL: - CUSTOMER: NA | SIZE: B | JOB NO.: NA | DRAWING NUMBER: N12-DT | |
| DRAWING MAY NOT BE PRINTED FULL SIZE DO NOT SCALE | | | | SCALE: 1:1 | WEIGHT: 0.12 LBS | SHEET: 1 OF 1 |



MAZZEI® MTM™ NOZZLE N12



Copyright© 2014 REV October 2014

Mazzei Injector Company, LLC
500 Rooster Drive, Bakersfield, CA 93307-9555 USA

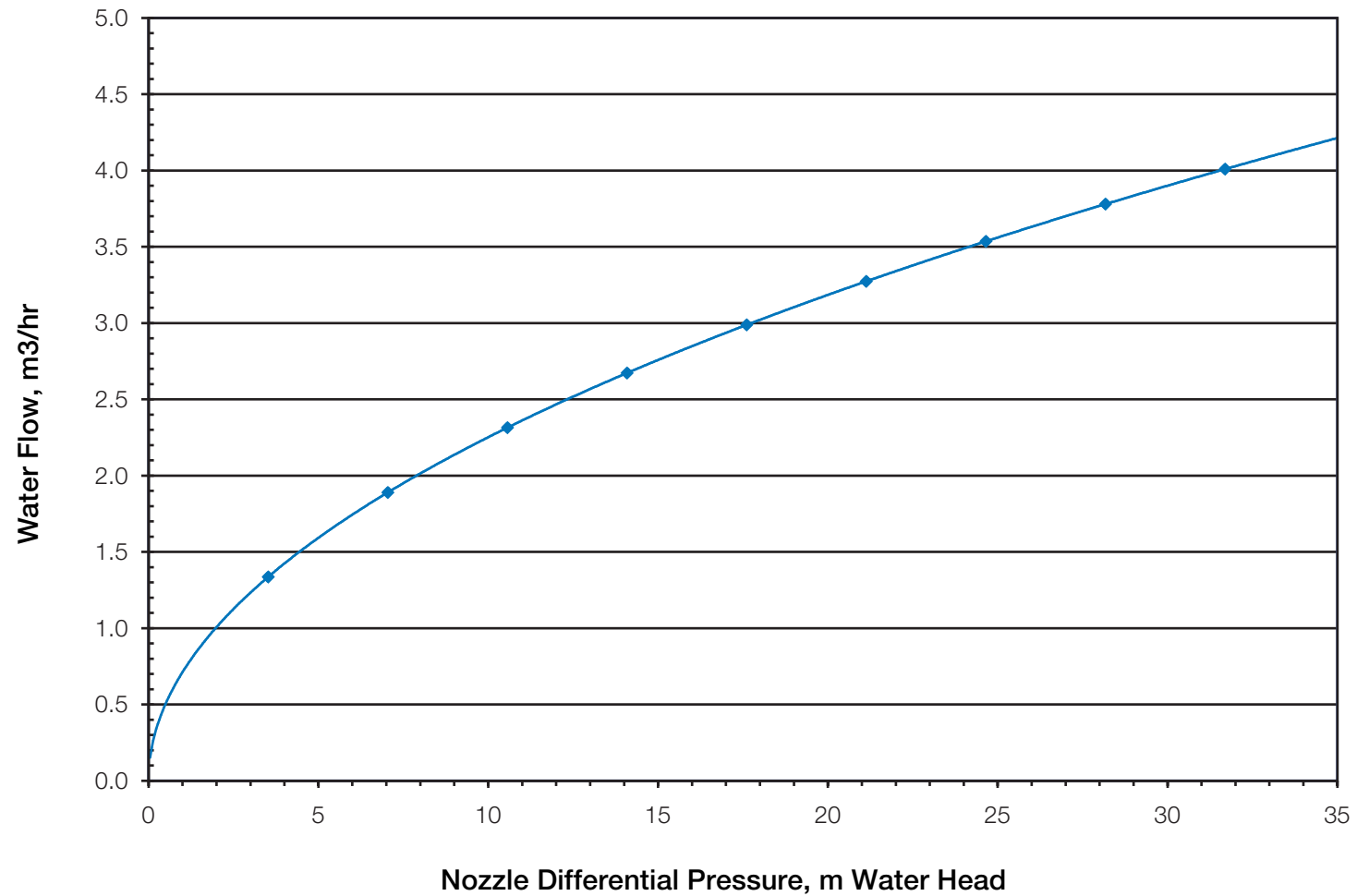
TEL 661.363.6500 • FAX 661.363.7500 • www.mazzei.net

Mass Transfer Multiplier™ (MTM) Nozzle Performance Table

Model N12



MAZZEI® MTM™ NOZZLE N12



Copyright© 2014 REV October 2014

Mazzei Injector Company, LLC
500 Rooster Drive, Bakersfield, CA 93307-9555 USA

TEL 661.363.6500 • FAX 661.363.7500 • www.mazzei.net

Mass Transfer Multiplier™ (MTM) Nozzle Performance Table - *Metric*

Model N12